

CURRENT TRANSFORMERS WITH 6.3mm FAST-ON TERMINALS

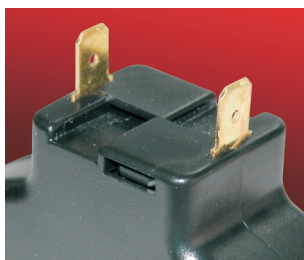
HOBUT

DESCRIPTION

A range of moulded case current transformers suitable for primary currents from 40A to 4000A complete with 6.3mm fast-on terminals

APPLICATION

For transforming various primary currents into 5A standard secondary using various cable primaries. The 6.3mm fast-on terminals allows for fast assembly/connection.



FEATURES

- Moulded case design.
- Fast connection using 6.3mm spade terminals.
- Large range of primary currents.
- Low cost.

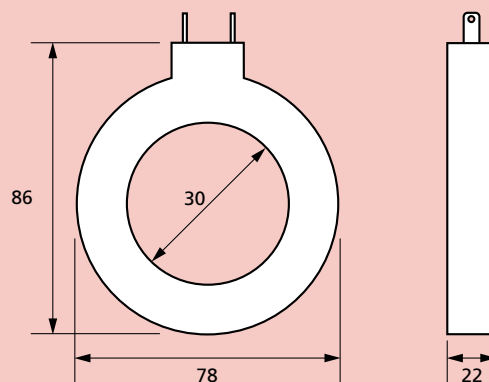
TECHNICAL SPECIFICATION

- IEC 185, IEC 60044-1, BSEN 60044-1, IEC 61869-2 and ANSI.
- Rated system voltage 0.72/3kV.
- Ambient temperature range -5°C to +50°C.
- Continuous current 1.2 x rated current.
- Other ratios, accuracies and VA available by request.

CTGM30

RATIO	VA & CLASS	ANSI EQUIVALENT
40/5	1.25VA CL3	2.4B0.05

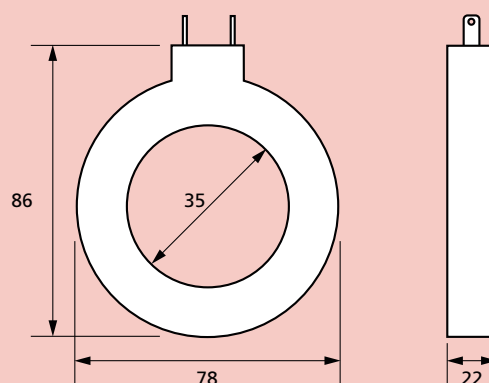
DIMENSIONS (mm)



CTGM35

RATIO	VA & CLASS	ANSI EQUIVALENT
60/5	1.5VA CL3	2.4B0.1
100/5	1.5VA CL3	2.4B0.1
150/5	2.5VA CL3	2.4B0.1
200/5	2.5VA CL3	2.4B0.1
250/5	2.5VA CL3	2.4B0.1
300/5	5VA CL3	2.4B0.2
400/5	5VA CL3	2.4B0.2

DIMENSIONS (mm)



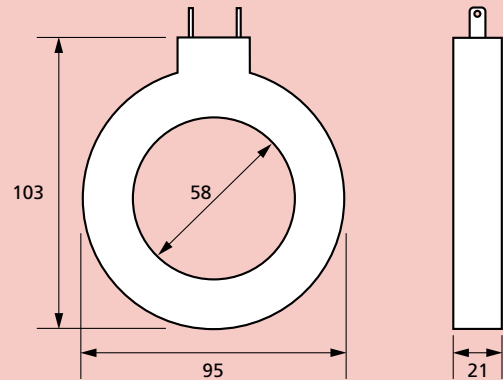
CURRENT TRANSFORMERS WITH 6.3mm FAST-ON TERMINALS

HOBUT

CTGM58

RATIO	VA & CLASS	ANSI EQUIVALENT
500/5	5VA CL1	1.2B0.2
600/5	5VA CL1	1.2B0.2

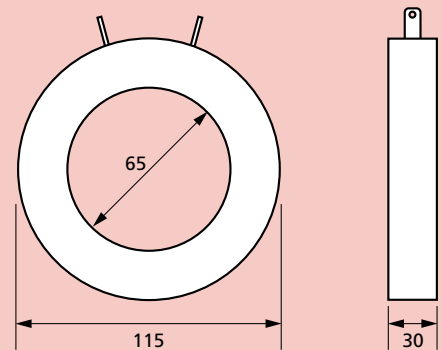
DIMENSIONS (mm)



CTICM

RATIO	VA & CLASS	ANSI EQUIVALENT
400/5	7.5VA CL1	1.2B0.3
600/5	7.5VA CL1	1.2B0.3
800/5	7.5VA CL1	1.2B0.3
1000/5	7.5VA CL1	1.2B0.3
1200/5	7.5VA CL1	1.2B0.3
1500/5	7.5VA CL1	1.2B0.3

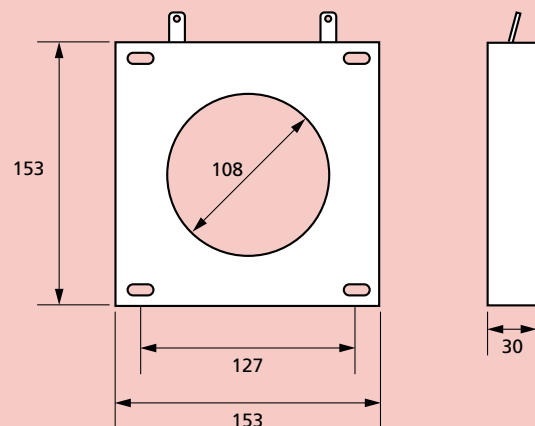
DIMENSIONS (mm)



CTIRM

RATIO	VA & CLASS	ANSI EQUIVALENT
1500/5	15VA CL1	1.2B0.5
2000/5	20VA CL1	1.2B0.8
2500/5	25VA CL1	1.2B1.0
3000/5	30VA CL1	1.2B1.2
3500/5	35VA CL1	1.2B1.4
4000/5	40VA CL1	1.2B1.6

DIMENSIONS (mm)



Our policy is one of continuous development and therefore specifications may change without notice.

HOWARD BUTLER LTD

CROWN WORKS, LINCOLN ROAD
WALSALL WS1 2EB ENGLAND

Tel: 01922 640003 Fax: 01922 723626
International Tel: +44 1922 640003 E-mail: sales@hobut.co.uk
<http://www.hobut.co.uk>