

Mains Transformer



Type: **15V-60VA-DW-4118372**

<http://www.casa.co.nz>

Edition: 14/09/2011



Stock #
200

4118-372

General Data

Brand: Face Standard (USA)

Model: 4118-372 (IBM)

OEM: EC 752765C

Input: 195~230ac 50~60Hz
(tapped)

Output: 15.5V @ ~3.8 Amps
(Open circuit)

Power: 60VA (estimated)

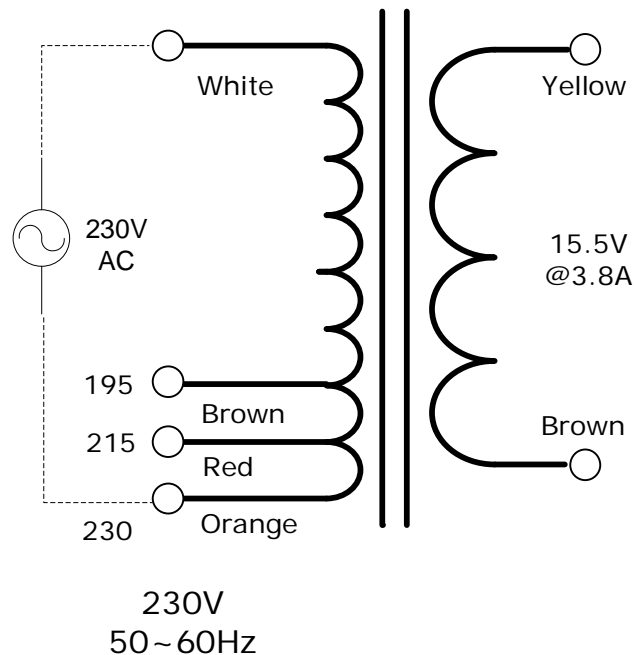
Size: 96x60x58mm

Weight: 0.965kg

Fixing: 2x4mm clearance holes
82mm centres

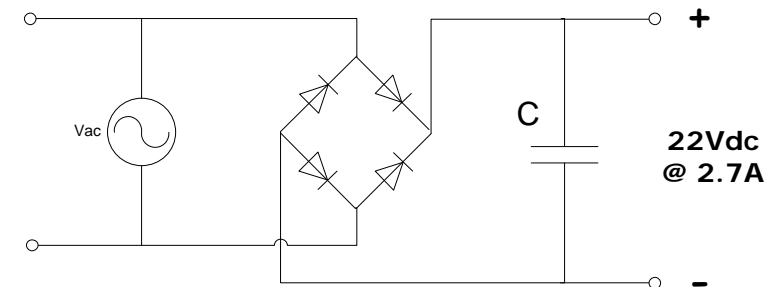
Condition: used/refurbished - as
removed from operational
computer equipment.

Comments:



NOTICE – the information on this page is not guaranteed for accuracy – CASA accepts no responsibility (neither expressed nor implied) for any errors or the consequence therefrom.

Optional Rectifier Assembly



Basic Un-Regulated DC PSU – Quick Calculator

$$C = (I \times 80,000) / V_{dc}$$
$$(2.7 \times 80,000) / 21 = \sim 9,900\mu F$$

C = Capacitor in microFarads
I = Current (output) in Amps
Vdc = Volts (output)

P = Power of load (or transformer) in Watts (VoltAmps)
Vac = input Volts from transformer
Vdc = Vac x 1.4 (using a full-bridge rectifier)

Two or more identical transformers may be series-parallel arranged for higher currents and/or voltages (phasing observed)

NOTE – these approximations exclude copper losses etc. in the transformer and external wiring