

Mains Transformer

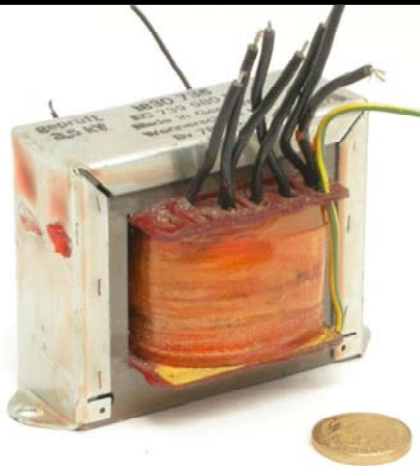


<http://www.casa.co.nz>

Edition: 21/08/2023

Type: **44V-60VA-DW-1830736**

Stock #:60



General Data

Brand: Wenerscheid (Germany)

Model: 1830 736 (IBM)

OEM: BV 78.26.48
EC 739 980B

Input: 245~100Vac 50~60Hz
(multi-tapped)

Output: 44V @ 1.3A (est)
Power: 60VA (estimated)

Size: 100 x 59 x 68 mm

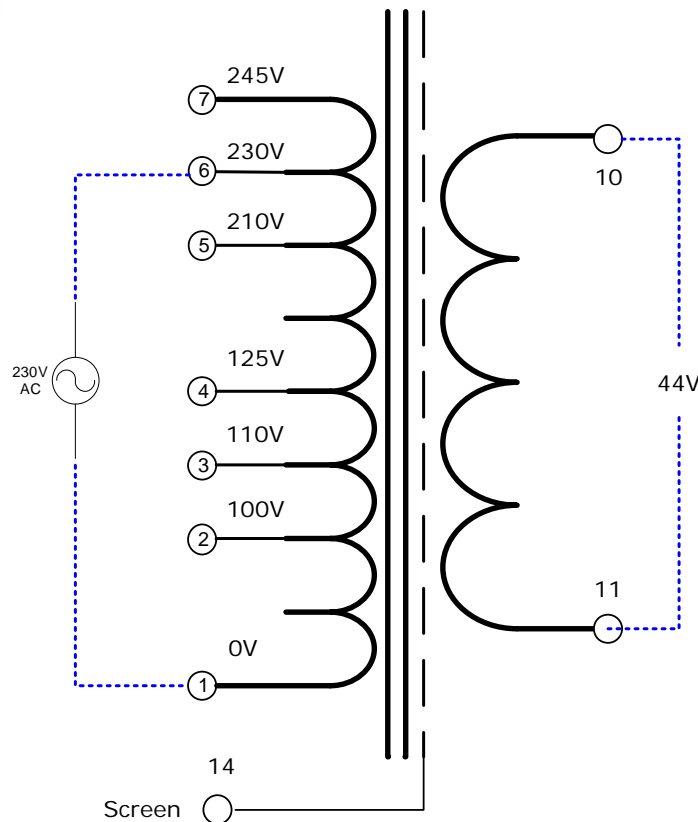
Weight: 0.73kg

Fixing: 2 x 4mm holes @ 90mm centres.

Condition: Used, as recovered from telecommunications equipment.

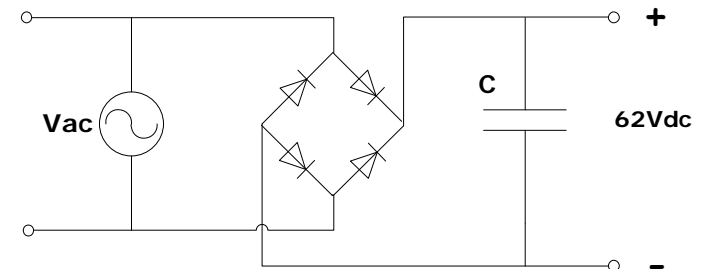
Comments:

1830 736



NOTICE – the information on this page is not guaranteed for accuracy – CASA accepts no responsibility (expressed or implied) for any errors or the consequence therefrom.

Optional Rectifier Assembly



Basic Un-Regulated DC PSU – Quick Calculator

$$C = (I \times 80,000) / Vdc$$

$$(0.96 \times 80,000) / 62 = 1,200\mu F$$

C = Capacitor in microFarads
I = Current (output) in Amps
Vdc = Volts (output)

P = Power of load (or transformer) in Watts (VoltAmps)
Vac = input Volts from transformer
Vdc = Vac x 1.4 (using a full-bridge rectifier)

Two or more identical transformers may be series-parallel arranged for higher currents and/or voltages (phasing observed)

NOTE – these approximations exclude copper losses etc. in the transformer and external wiring