

Johnson Components, Inc. sockets are designed to provide secure retention of the tube and positive, low-resistance contact between tube pins and socket contacts. Johnson Components, Inc., one of the few companies still making tube sockets, makes them to serve the needs of customers who still use tubes for lack of a reliable high power RF semiconductor.

Ordering Information: For a numerical index of the complete electronic hardware product line, refer to page 200.

Each product listing in this section includes mechanical drawings and part numbering information. Material, mechanical and electrical specifications are listed for each item.

To Order: When you have determined the part number for the tube socket you require, contact one of our Johnson Components, Inc. distributors for the socket you need. If you don't know the name of your local distributor or if you have special requirements, contact the factory at 1-800-247-8256 or write Johnson Components, Inc., Customer Service Manager, 299 Johnson Avenue, P.O. Box 1732, Waseca, MN 56093-0832.

Tube Sockets

Air Cooled Type	174
Bayonet Type	177
Giant 5-Pin Type	181
Power Tube Type	174
Septar Type	178
Super Jumbo	
4-Pin Type	180
Wafer Type	179

Tube to Tube Socket

Cross Reference	197
Numerical Index	200

Power Type

Power Tube Socket

SPECIFICATIONS

Housing: Brass per QQ-B-626D .0001" nickel plated

Insulator: Glass base silicone

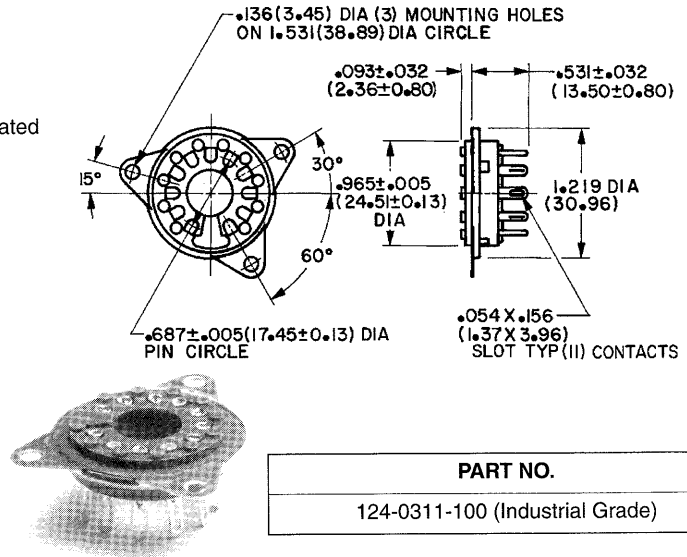
Contacts: Beryllium copper (heat treated)
per QQ-C-533, .0001" silver plated

FEATURES:

- Raised pads for excellent base pin cooling
- For tubes such as RCA 8072, 8121 and 8122

DESCRIPTION:

For ultra high frequency tubes. Also suitable for use with CRT tubes 1EP1 and 1EP11 with E.I.A. base no. E11-22. Base material has low dielectric constant which results in low pin-to-pin and shunt capacity. Continuous heat resistance to 500° F. Mounting lugs provide low inductance grounding. Three point mounting stability. Eleven pin configuration.



Air Cooled Type

Less Mounting Saddle

SPECIFICATIONS

Housing: Brass per QQ-B-626D .0001" silver plated

Insulator: KEL-F

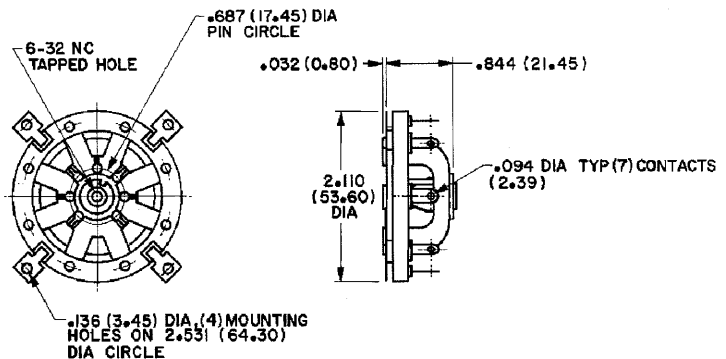
Contacts: Beryllium copper per QQ-C-533, .0001" silver plated

FEATURES:

- Cathode terminals are grounded
- Positive, low resistance contact between tube pins and socket contacts

DESCRIPTION:

Mounts between chassis 1.656 " (42.05 mm) diameter hole with four $.136$ " (3.45 mm) holes on circle of 2.531 " (64.03 mm). Low inductance grounding of cathode terminals No. 2, 4, 6, and 8 by integral combination grounding and mounting lugs.



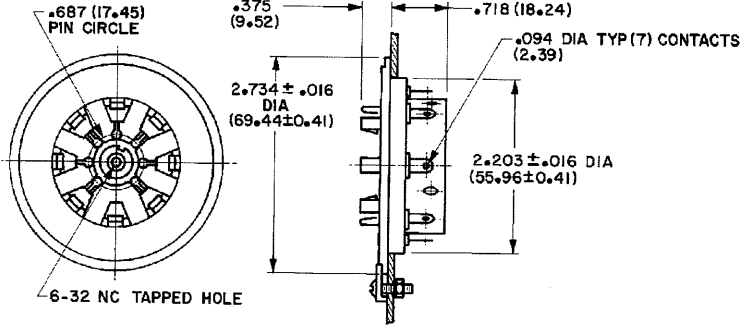
Air Cooled Type With Mounting Ring (Includes 2700 pF screen grid by-pass capacitor)

SPECIFICATIONS

Housing: Brass per QQ-B-626D .0001" silver plated

Insulator: KEL-F

Contacts: Beryllium copper per QQ-C-533, .0001" silver plated

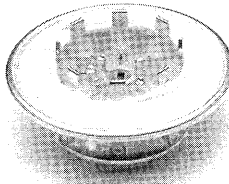


FEATURES:

- Cathode terminals insulated
- Positive, low resistance contact between tube pins and socket contacts

DESCRIPTION:

Mounts above chassis through 2.250" (57.15mm) diameter hole with three clips drilled for 6-32 screws. Has provision for mounting socket skirt directly to a 1.625" (41.28mm) O.D. outer conductor of a coaxial type line



TYPICAL MOUNTING

PART NO.

124-0110-001 (Cathode terminals insulated)

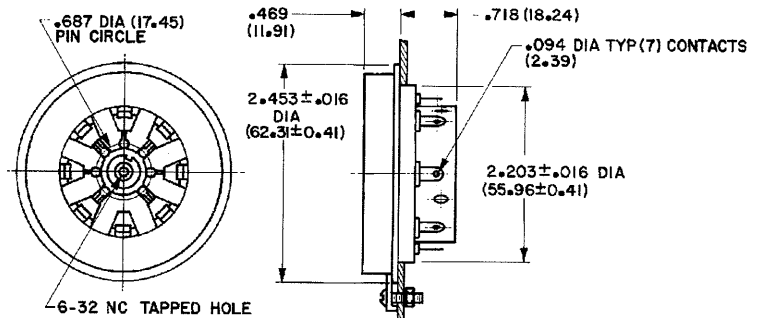
With Mounting Ring (Includes 1100 pF screen grid by-pass capacitor)

SPECIFICATIONS

Housing: Brass per QQ-B-626D .0001" silver p

Insulator: KEL-F

Contacts: Beryllium copper per QQ-C-533, .0001" silver plated

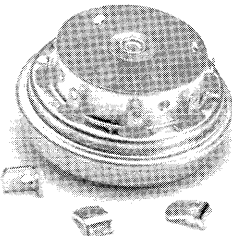


FEATURES:

- Cathode terminals insulated
- Withstands 1500VDC under applicable test specifications
- Recessed, silver plated beryllium copper grid contacts

DESCRIPTION:

Mounts above chassis through 2.250" (57.15mm) diameter hole with three clips drilled for 6-32 screws. Provision for mounting socket skirt directly to 1.625" (41.28mm) outer conductor of a coaxial type line.



TYPICAL MOUNTING

PART NO.

124-0115-001

Air Cooled Type

Screen Grid By-Pass Capacitor

1450 pF SCREEN GRID BY-PASS CAPACITOR

SPECIFICATIONS

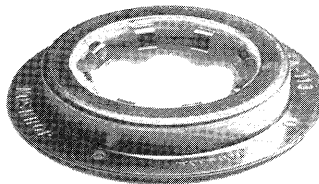
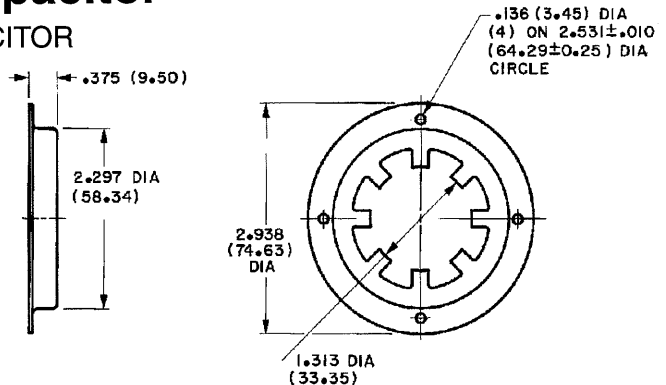
Housing: Brass per QQ-B-626D .0001" silver plated
Contacts: Beryllium copper per QQ-C-533, .0001" silver plated

FEATURES:

- Capacitor dielectric strength tested at 1000 VDC
- Low inductance, silver-plated contact fingers provide positive contact pressure

DESCRIPTION:

Circular silvered-mica screen grid by-pass capacitor mounted in a low-loss, silicone sealed silver plated drawn brass housing. For use with these and similar sockets: 124-0107-001, 124-0114-001, 124-0311-100.

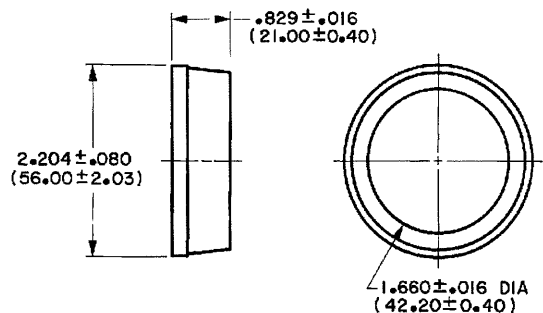
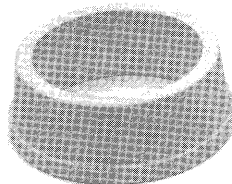


PART NO.
124-0113-001

Steatite Chimney

SPECIFICATIONS

Housing: L-423 Steatite, DC-200 treated



FEATURES:

- High quality heat resistant steatite

DESCRIPTION:

Tapered construction directs air flow through tube cooling fins. For use with these and similar sockets: 124-0107-001, 124-0110-001, 124-0112-001, 124-0114-001.

PART NO.
124-0111-001

Bayonet Type

Medium 4-Pin

SPECIFICATIONS

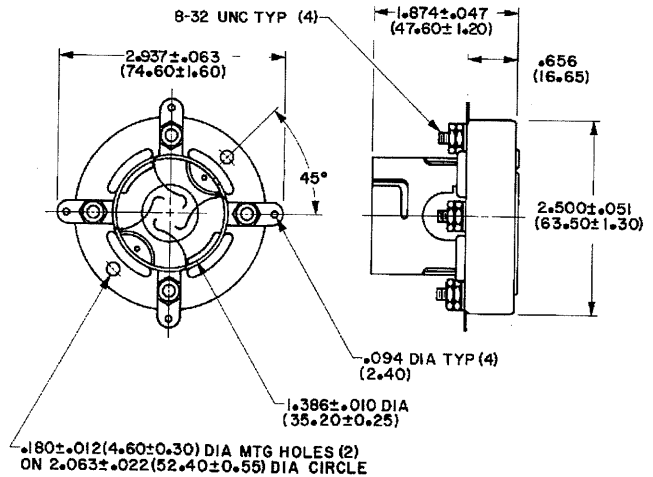
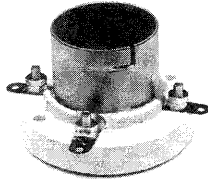
Base: Porcelain, glazed top and sides
Shell: Aluminum per QQ-A-200/8, iridited
Contacts: Phosphor bronze
per QQ-B-750,
.0001" nickel plated

FEATURES:

- Phosphor bronze side wiping contacts and extended creepage paths
- Securely holds tube
- Solder or threaded stud terminals
- Nuts furnished

DESCRIPTION:

Compact economical socket for tubes with E.I.A. base no. A4-10. Heavy, side wiping contacts. Mounts above chassis through 2.063" (52.40) diameter circle.



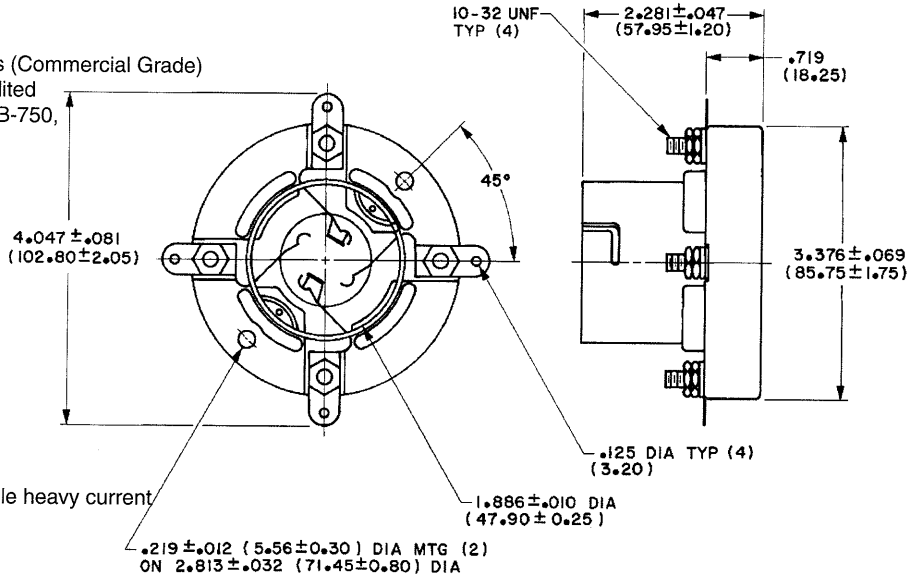
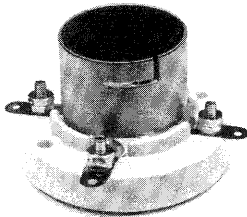
PART NO.

123-0210-001 (Commercial Grade)

Jumbo 4-Pin

SPECIFICATIONS

Base: Porcelain, glazed top and sides (Commercial Grade)
Shell: Aluminum per QQ-A-200/8, iridited
Contacts: Phosphor bronze per QQ-B-750,
.0001" nickel plated
(Commercial Grade)



FEATURES:

- Securely holds tube
- Double wiping filament contacts handle heavy current
- Solder or threaded stud terminals
- Nuts furnished

DESCRIPTION:

Popular "50 Watt" socket for tubes such as the 211, 872A, and others with E.I.A. base no. A4-29. Mounts above chassis through 2.813" (71.45mm) diameter circle.

PART NO.

123-0211-001 (Commercial Grade)

Tube Sockets

Bayonet Type

Super Jumbo 4-Pin

SPECIFICATIONS

Base: L-423 steatite, DC-200 treated

Shell: Brass per QQ-B-626D,
.0001" nickel plated
(Industrial Grade)
Brass per QQ-B-626D, .
0003" nickel plated
(Military Grade)

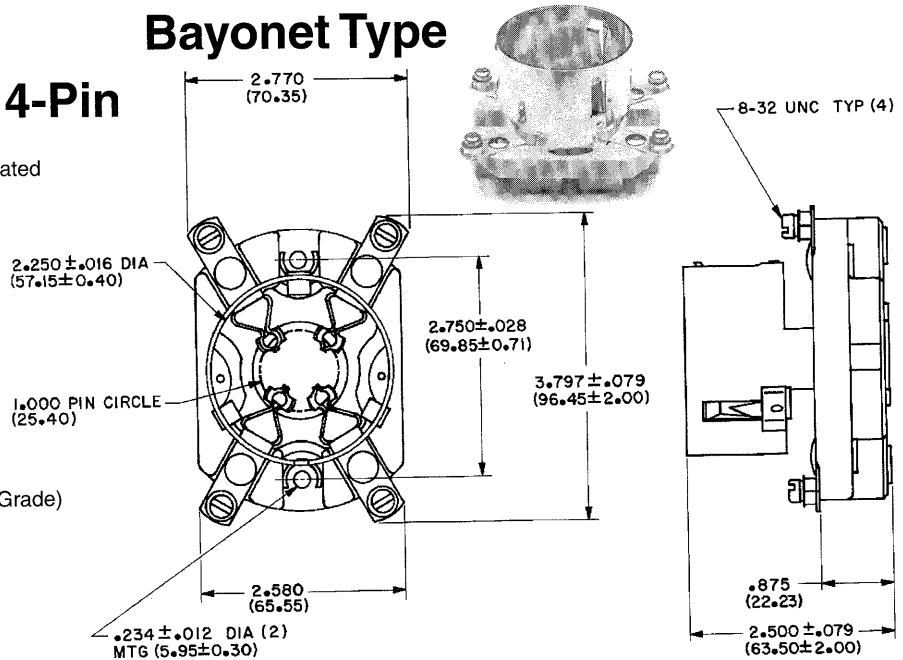
Contacts: Beryllium copper
per QQ-C-533,
.0001" silver plated
(Industrial Grade)
Beryllium copper per
QQ-C-533, .0005"
silver plated (Military Grade)

FEATURES:

- Three heavy retaining springs in nickel plated brass shell holds tube securely
- Special high current insertion type spring contacts
- Screw terminals: 8-32 UNC screws furnished

DESCRIPTION:

Heavy duty socket for high voltages and/or current. Accommodates 8008, 5C22, C6J, FG104, GL146, and other tubes with E.I.A. base no. A4-18. Two mounting holes recessed to prevent flashover. Mounts with two .234" (5.95mm) diameter holes on 2.75" (69.85mm) diameter circle.



PART NO.

123-0206-100 (Industrial Grade)

123-0206-200 (Military Grade)

Septar Type

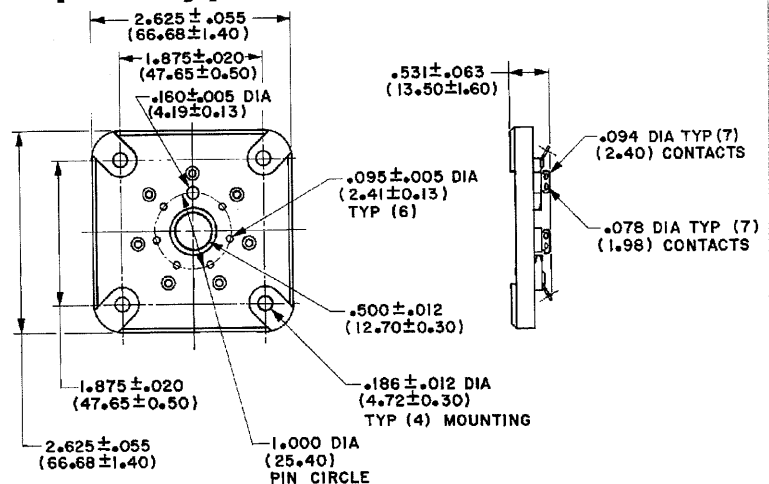
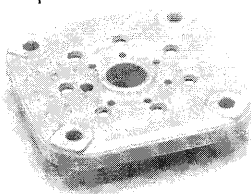
7-Pin Configuration

SPECIFICATIONS

Base: L-423 steatite, DC-200 treated

Shell: Aluminum per QQ-A-200/8, irridated

Contacts: Phosphor bronze per QQ-B-750, with
beryllium copper springs per QQ-C-53;
.0005" silver plated



PART NO.

122-0247-202 (Military Grade)

FEATURES:

- Securely holds tube
- Positive, low resistance contact between tube pins and socket contacts

DESCRIPTION:

Designed for 7-pin tubes with E.I.A. base no. E7-2 such as the 7094.

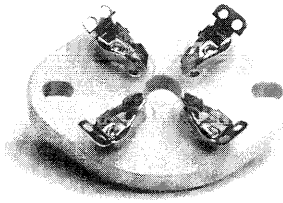
Wafer Type

Standard: 4-Pin Configuration

SPECIFICATIONS

Base: L-423 steatite, DC-200 treated

Contacts: Brass per QQ-B-626D, with steel spring per QQ-S-777, .0001" nickel plated

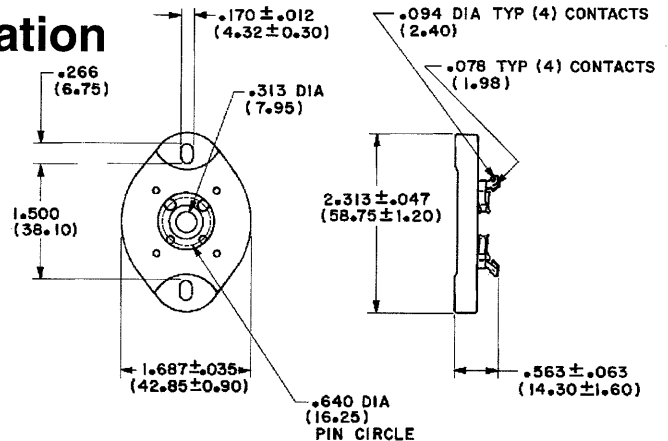


FEATURES:

- Locating grooves facilitate tube insertion
- Sub-panel mounting possible with countersunk rivets and bossed mounting holes
- Long, parallel contacts for high current

DESCRIPTION:

High quality commercial grade socket for high current use.



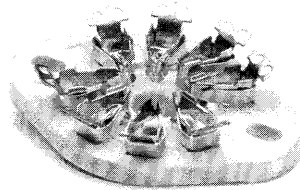
PART NO.
122-0224-001 (Commercial Grade)

Standard: 8-Pin Configuration

SPECIFICATIONS

Base: L-423 steatite, DC-200 treated

Contacts: Brass per QQ-B-626D, with steel springs per QQ-S-777, .0001" nickel plated

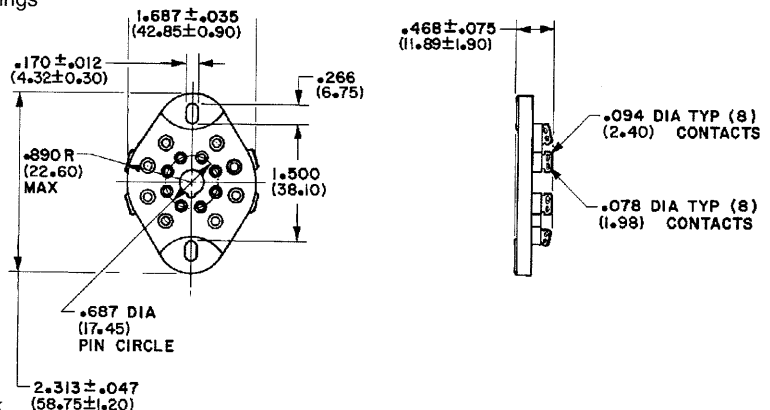


FEATURES:

- Locating grooves facilitate tube insertion
- Sub-panel mounting possible with countersunk rivets and bossed mounting holes

DESCRIPTION:

High quality commercial grade socket for high current use. Standard eight pin configuration.



PART NO.
122-0228-001 (Commercial Grade)

Wafer Type

Super Jumbo: 4-Pin Configuration

SPECIFICATIONS

Base: L-423 steatite, DC-200 treated

Contacts: Brass per QQ-B-626D,
with steel springs per
QQ-S-777, .0001"
nickel plated

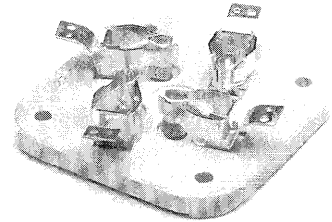
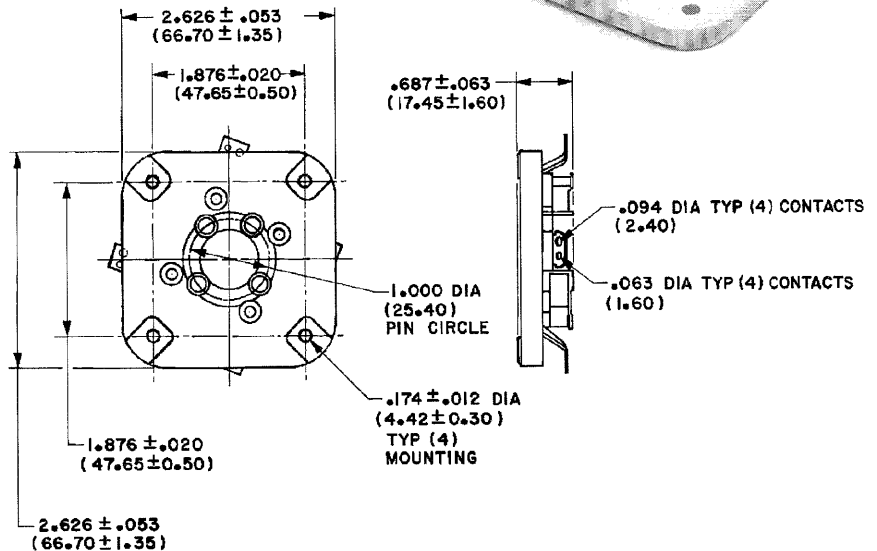
FEATURES:

- High current capacity
- Sub-panel mounting possible with countersunk rivets and bossed mounting holes

DESCRIPTION:

Heavy duty steatite insulate wafer type socket. For rectifier and thyatron type tubes with E.I.A. base nos. A4-15, A4-16, and A4-18. Standard four pin configuration.

PART NO.
122-0244-001 (Commercial Grade)



Super Jumbo: 4-Pin Configuration

SPECIFICATIONS

Base: L-423 steatite, DC-200 treated

Contacts: Phosphor bronze per
QQ-B-750, with
beryllium copper springs
per QQ-C-533, .0005"
silver plated

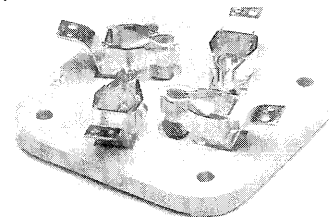
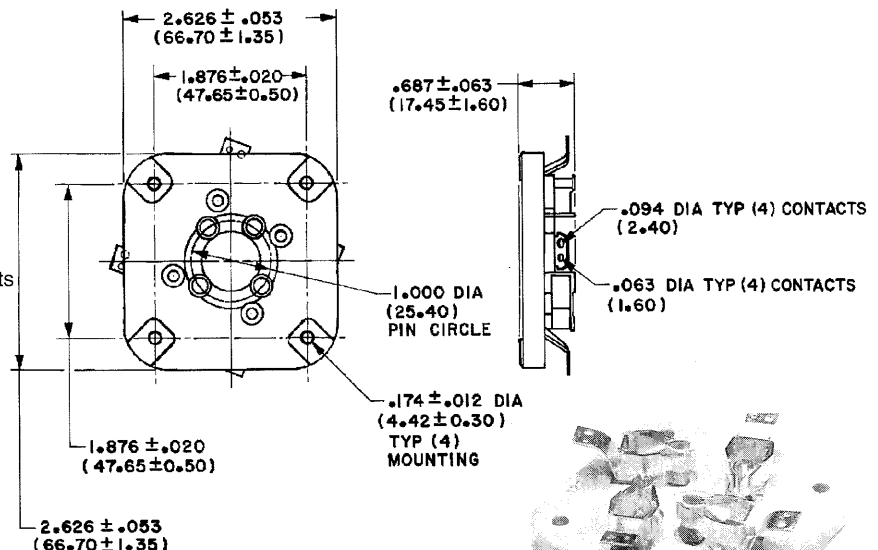
FEATURES:

- High current capacity
- Positive, low resistance contact between tube pins and socket contacts
- Sub-panel mounting possible with countersunk rivets and bossed mounting holes

DESCRIPTION:

Heavy duty steatite insulated wafer type socket. For 8008 type tube and many rectifier thyatron type tubes with E.I.A. base nos. A4-15, A4-16, and A4-18. Standard four pin configuration.

PART NO.
122-0244-200 (Military Grade)



Wafer Type

Giant: 5-Pin Configuration

SPECIFICATIONS

Base: L-423 steatite, DC-200 treated

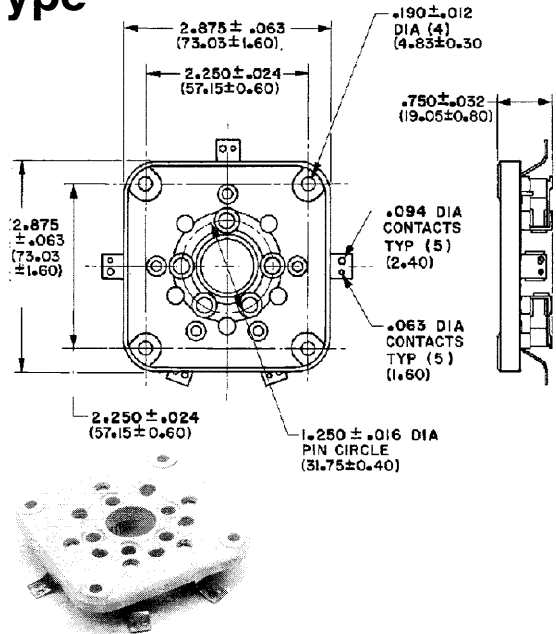
Contacts: Brass per QQ-B-626D, with steel springs per QQ-S-777, .0001" nickel plated

FEATURES:

- Ventilating holes to provide tube seal cooling
- Sub-panel mounting possible with countersunk rivets and bossed mounting holes

DESCRIPTION:

Heavy duty steatite insulate wafer type socket. For tubes such as 4-125A, 4-250A, and RK-48 with E.I.A. base no. A5-19. Standard five pin configuration.



PART NO.
122-0275-001 (Commercial Grade)

Giant: 5-Pin Configuration

SPECIFICATIONS

Base: L-423 steatite, DC-200 treated

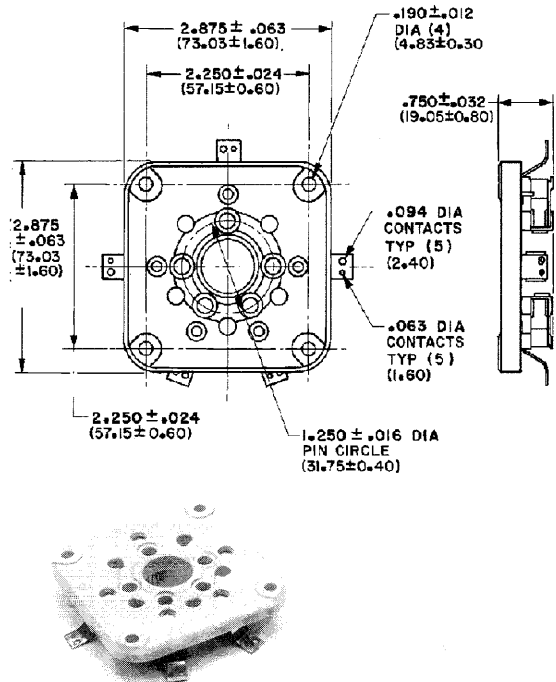
Contacts: Phosphor bronze per QQ-B-750, with beryllium copper springs per QQ-C-533, .0001" silver plated

FEATURES:

- Ventilating hole to provide tube seal cooling
- Sub-panel mounting possible with countersunk rivets and bossed mounting holes

DESCRIPTION:

Heavy duty steatite insulate wafer type socket. For tubes such as 4-125A, 4-250A, and RK-48 with E.I.A. base no. A5-19. Standard five pin configuration.



PART NO.
122-0275-100 (Industrial Grade)