

The Intermec logo features the word "Intermec" in a bold, italicized, sans-serif font. A thick, light gray circular line is positioned behind the text, partially overlapping it. To the right of the text, there is a square icon containing a stylized white graphic of a circular path with a dot, set against a black background.

Intermec



Spare Parts
Catalog

**EasyCoder[®] PM4i
Printer**

Intermec Technologies Corporation

Worldwide Headquarters
6001 36th Ave.W.
Everett, WA 98203
U.S.A.

www.intermec.com

The information contained herein is provided solely for the purpose of allowing customers to operate and service Intermec-manufactured equipment and is not to be released, reproduced, or used for any other purpose without written permission of Intermec Technologies Corporation.

Information and specifications contained in this document are subject to change without prior notice and do not represent a commitment on the part of Intermec Technologies Corporation.

© 2005-2007 by Intermec Technologies Corporation. All rights reserved.

The word Intermec, the Intermec logo, Norand, ArciTech, Beverage Routebook, CrossBar, dcBrowser, Duratherm, EasyADC, EasyCoder, EasySet, Fingerprint, INCA (under license), i-gistics, Intellitag, Intellitag Gen2, JANUS, LabelShop, MobileLAN, Picolink, Ready-to-Work, RoutePower, Sabre, ScanPlus, ShopScan, Smart Mobile Computing, SmartSystems, TE 2000, Trakker Antares, and Vista Powered are either trademarks or registered trademarks of Intermec Technologies Corporation.

There are U.S. and foreign patents as well as U.S. and foreign patents pending.

Contents

Before You Begin	iv
Safety Information	iv
Global Services and Support	v
Warranty Information	v
Web Support	v
Telephone Support	vi
Service Location Support	vi
Who Should Read This Manual	vi
Related Documents	vii

1 Introduction 1

Spare Parts Policy	2
EasyCoder PM4i, General View	3

2 Spare Parts 5

Keyboard and Cover	6
Chassis	7
Print Mechanism (Media Compartment Side)	8
Print Mechanism (Electronics Compartment Side 1)	9
Print Mechanism (Electronics Compartment Side 2)	10
Label Stop Sensor	11
Ribbon Supply Unit	12
Ribbon Rewind Unit	13
Ribbon Motor	14
Side Doors	15
Front Door	16
Media Supply Roll Post	17
Label Slack Absorber	18
Media Supply Roll Hub Kit (Option)	19
Fan-Fold Guide (Option)	20
Liner Takeup Unit	21

Paper Cutter Kit (Option) 22

CPU Board 23

Power Supply Unit. 24

Double Serial Interface Kit (Fingerprint Option). 25

Serial/Industrial Interface Kit (Fingerprint Option) 26

IEEE 1284 Parallel Interface Kit (Option). 27

EasyLan Ethernet Interface Kit (Option). 28

EasyLAN Wireless Interface Kit (Option) 29

RFID Kit (IM4 869 MHz) (Option). 30

RFID Kit (IM4 915 MHz) (Option). 31

RFID Kit (IM5 869 MHz) (Option). 32

RFID Kit (Class 1, 915 MHz) (Option) 33

RFID Kit (Gen 2, 869 MHz) (Option) 34

RFID Kit (Gen 2, 915 MHz) (Option) 35

Label Taken Sensor (Option) 36

Miscellaneous, Not Illustrated 37

Before You Begin

This section provides you with safety information, technical support information, and sources for additional product information.

Safety Information

Your safety is extremely important. Read and follow all warnings and cautions in this document before handling and operating Intermec equipment. You can be seriously injured, and equipment and data can be damaged if you do not follow the safety warnings and cautions.

This section explains how to identify and understand cautions and notes that are in this document.



A caution alerts you to an operating procedure, practice, condition, or statement that must be strictly observed to prevent equipment damage or destruction, or corruption or loss of data.



Note: Notes either provide extra information about a topic or contain special instructions for handling a particular condition or set of circumstances.

Global Services and Support

Warranty Information

To understand the warranty for your Intermec product, visit the Intermec web site at www.intermec.com and click **Service & Support > Warranty**.

Web Support

Visit the Intermec web site at www.intermec.com to download our current manuals (in PDF). To order printed versions of the Intermec manuals, contact your local Intermec representative or distributor.

Visit the Intermec technical knowledge base (Knowledge Central) at intermec.custhelp.com to review technical information or to request technical support for your Intermec product.

Telephone Support

These services are available from Intermec.

Services	Description	In the USA and Canada call 1-800-755-5505 and choose this option
Order Intermec products	<ul style="list-style-type: none">Place an order.Ask about an existing order.	1 and then choose 2
Order Intermec media	Order printer labels and ribbons.	1 and then choose 1
Order spare parts	Order spare parts.	1 or 2 and then choose 4
Technical Support	Talk to technical support about your Intermec product.	2 and then choose 2
Service	<ul style="list-style-type: none">Get a return authorization number for authorized service center repair.Request an on-site repair technician.	2 and then choose 1
Service contracts	<ul style="list-style-type: none">Ask about an existing contract.Renew a contract.Inquire about repair billing or other service invoicing questions.	1 or 2 and then choose 3

Outside the U.S.A. and Canada, contact your local Intermec representative. For technical support in South Korea, see the next section. To search for your local representative, from the Intermec web site, click **Contact**.

Service Location Support

For technical support in South Korea, use the after service locations listed below:

AWOO Systems

102-1304 SK Ventium
522 Dangjung-dong
Gunpo-si, Gyeonggi-do Korea, South 435-776
Contact: Mr. Sinbum Kang
Telephone: +82-31-436-1191
Email: sbkang@awoo.co.kr

Sammi Information Systems Co Ltd

7-9FL, Seo Jo Building
103-15, Galwor-Dong
Seoul, Yong San-ku Korea, South 140-807
Contact: Kyung-Hee Koo
Telephone: +82-2-790-5508
Email: jlovekoo@sammicomputer.co.kr

Who Should Read This Manual

This spare parts catalog is for the person who is responsible for installing, configuring, and maintaining the EasyCoder PM4i Printer. Before you work with this printer, you should be familiar with the product in which you will work on.

Related Documents

The Intermec web site at www.intermec.com contains our documents (as PDF files) that you can download for free.

To download documents

- 1** Visit the Intermec web site at www.intermec.com.
- 2** Click **Service & Support > Manuals**.
- 3** In the **Select a Product** field, choose the product whose documentation you want to download.

To order printed versions of the Intermec manuals, contact your local Intermec representative or distributor.

Before You Begin



1 Introduction

This chapter contains the Intermec Spare Parts Policy regarding printers and provides an overview of the EasyCoder PM4i printer with options.

Spare Parts Policy

This Spare Parts Catalog contains information on items presently available as spare parts and accessories for the Intermec EasyCoder PM4i printers.

For further information about parts not listed in this volume, please contact our Intermec service personnel.

Information in this manual is subject to change without prior notice and does not represent a commitment on the part of Intermec.

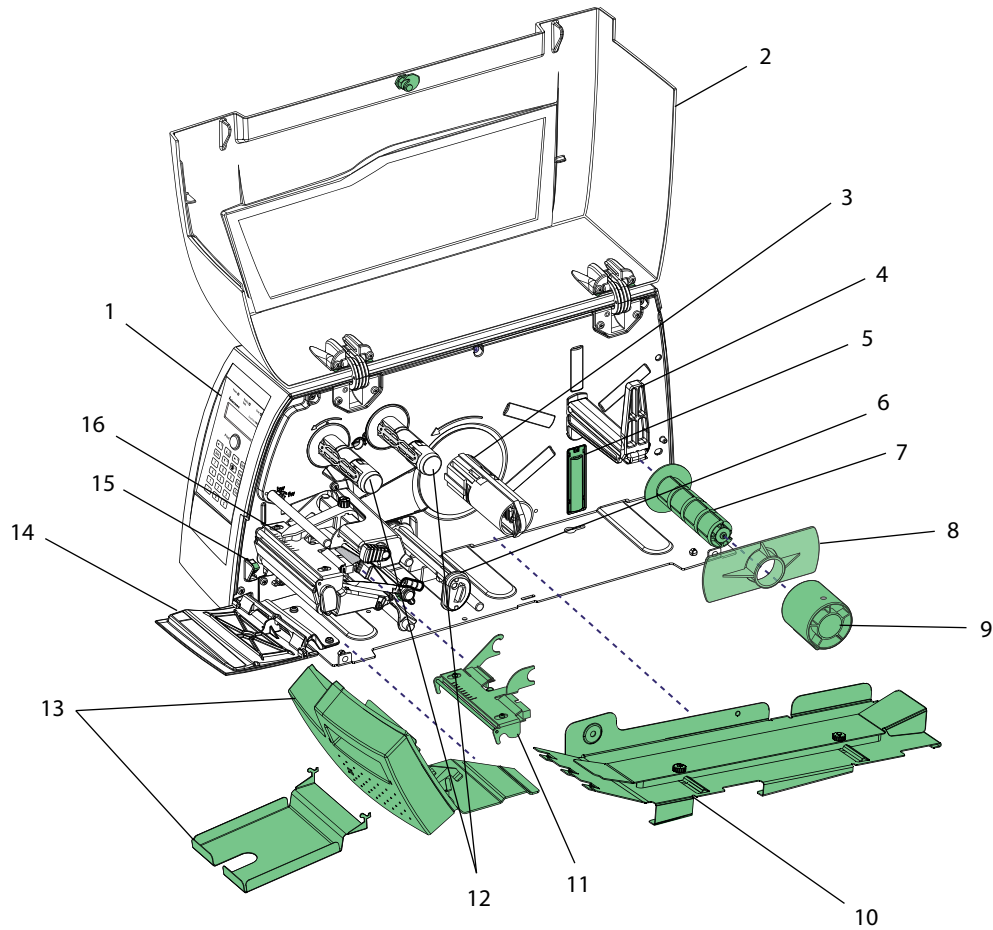


Note: For updated information, please refer to the latest edition of the Spare Parts Price List.




Some electrical parts may appear to be the same as for EasyCoder F2, F4, and F4 Compact Industrial. This applies to printheads, printhead cables, and interface boards. They are not compatible and installing the wrong part may render the printer inoperable or cause damage. Always double-check before replacing any kind of electronics.

EasyCoder PM4i, General View



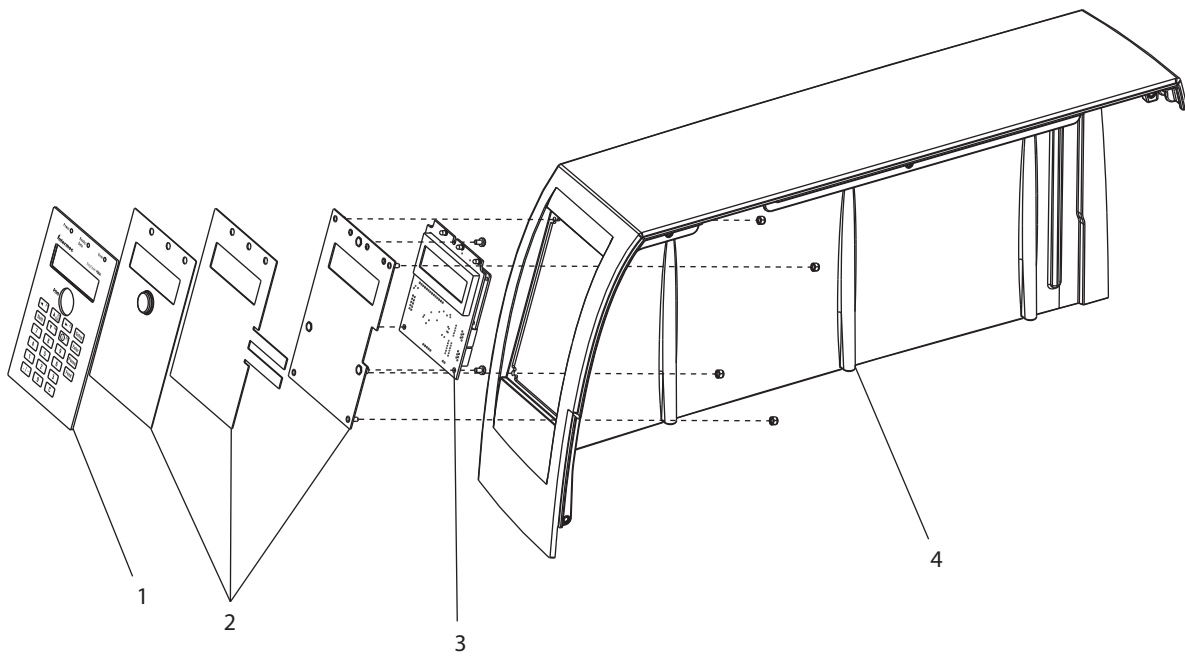
Callout	Description	Remarks
1	Keyboards	See page 6
2	Side door (with/without optional keylock)	See page 15
3	Liner takeup unit	See page 21
4	Media supply roll post	See page 17
5	Paper low sensor (option)	See page 19
6	Label slack absorber	See page 18
7	Media supply roll hub (option)	See page 19
8	Media roll retainer (option)	See page 19
9	Bobbin adapter (option)	See page 19
10	Fan-fold guide (option)	See page 20
11	Optional printhead	See page 8
12	Transfer ribbon mechanism	See pages 12-14
13	Cutter and tray (option)	See page 22
14	Front Door	See page 16
15	Label taken sensor (option)	See page 36
16	Print mechanism	See pages 8-10



2 Spare Parts

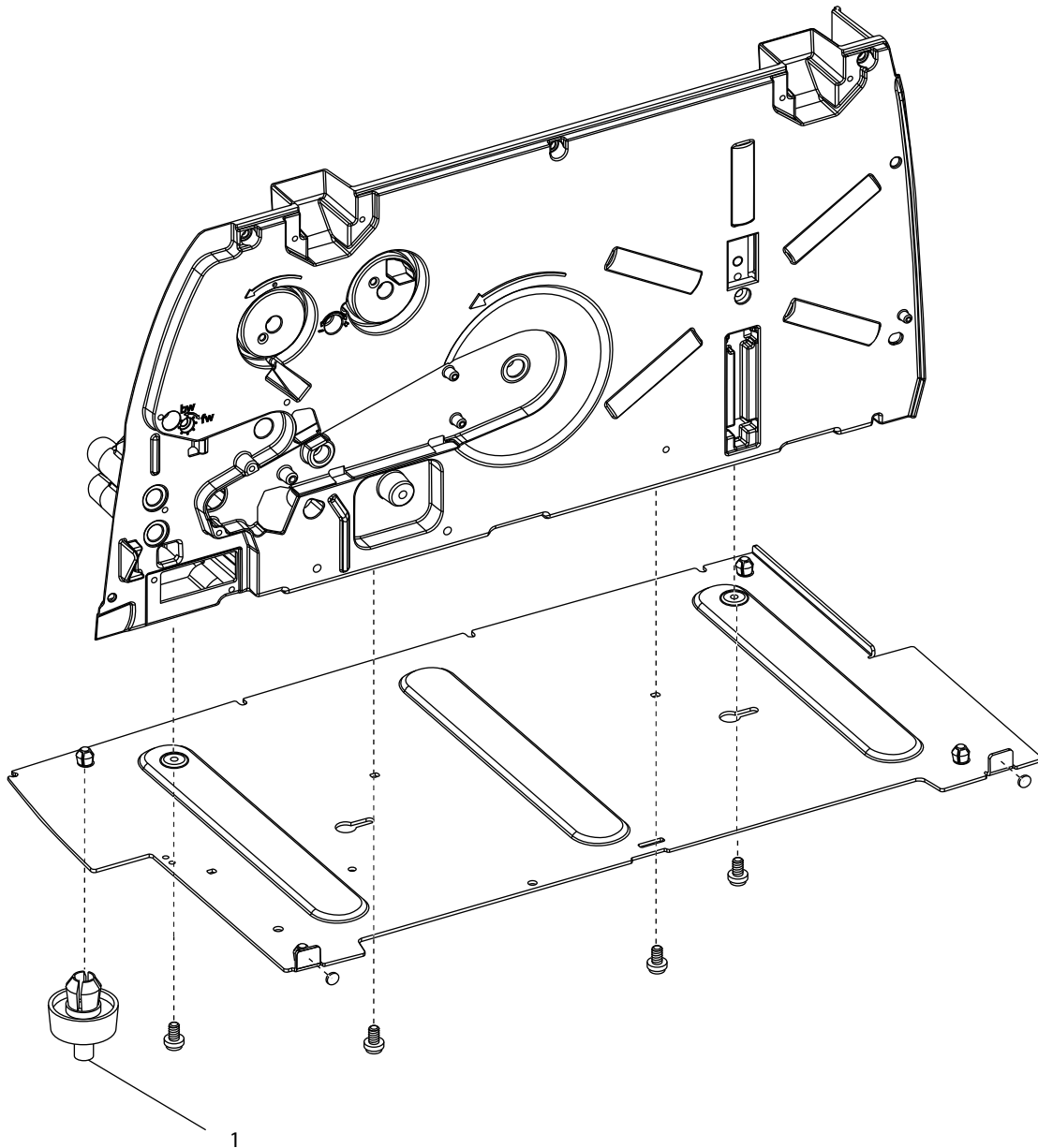
This chapter shows the various spare parts and lists their part numbers. The text in the description field is not the same as the text on drawings, packing slips, and invoices.

Keyboard and Cover



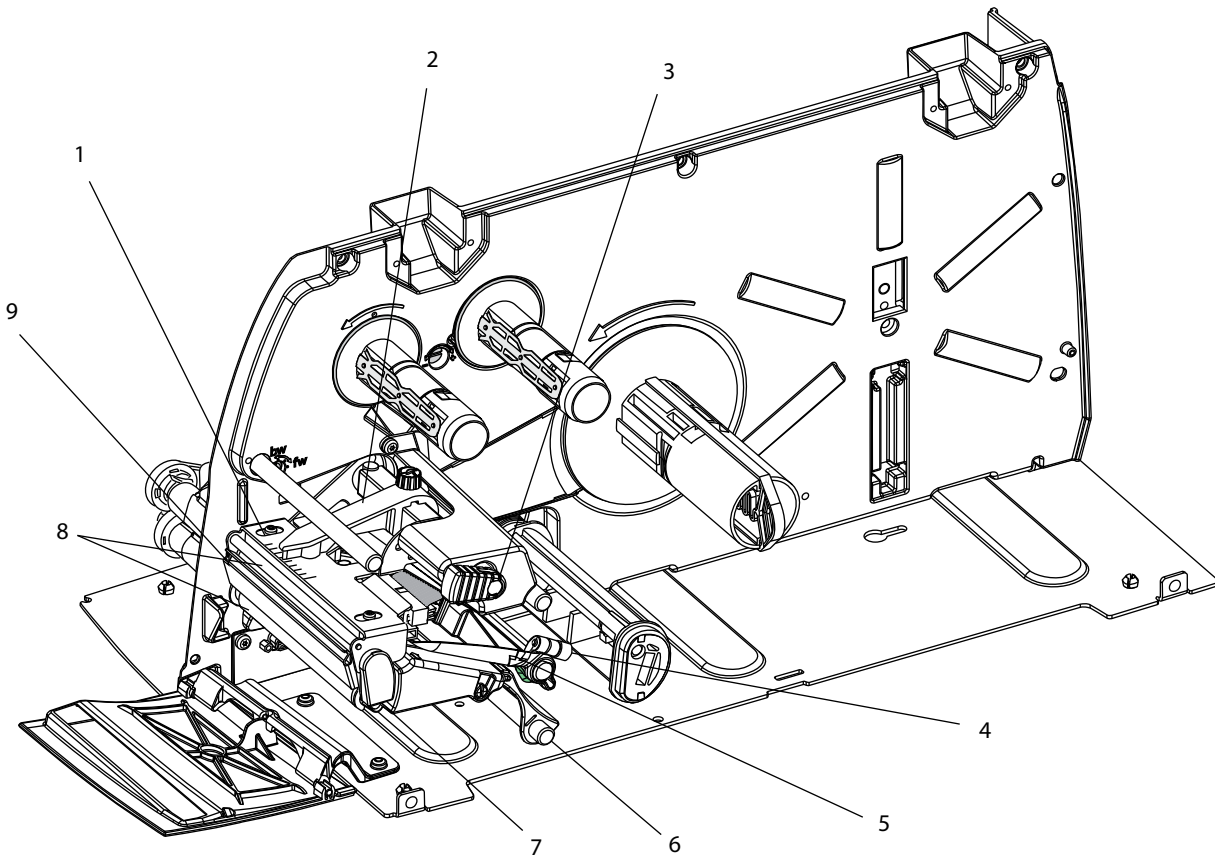
Callout	Part Number	Description	Remarks
1	1-206431-11	Keyboard overlay	
1	1-206431-01	Keyboard overlay (IPL)	
2	1-206161-02	Membrane keyboard assembly	
3	1-971651-26	Console PCB	Includes cable to CPU board
4	1-206174-00	Front/left-hand cover	

Chassis



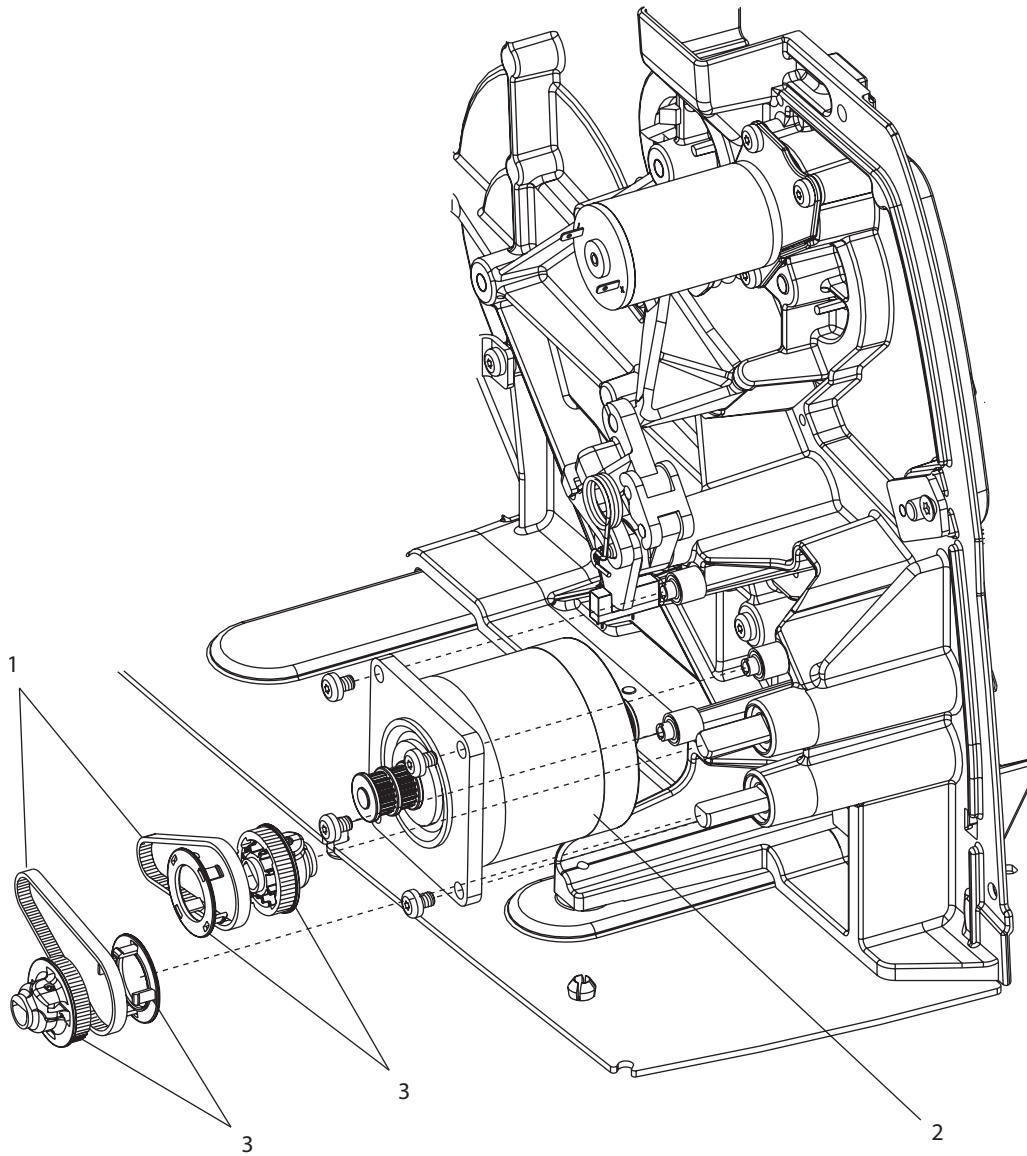
Callout	Part Number	Description	Remarks
1	1-992328-90	Rubber foot (4 pieces in each printer)	12-pack

Print Mechanism (Media Compartment Side)



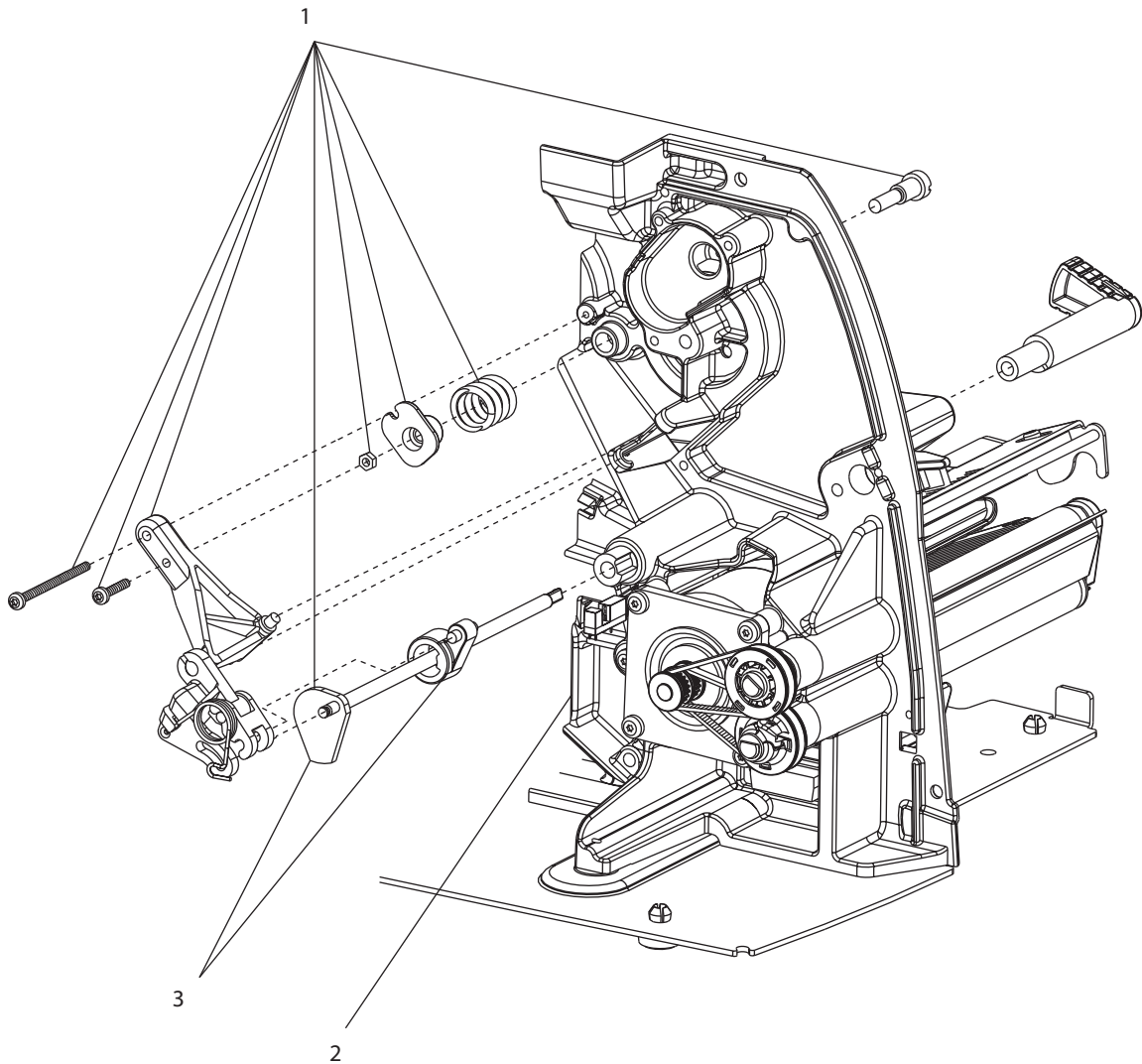
Callout	Part Number	RoHS Part Number	Description	Remarks
1	1-010043-90	1-010043-900	Thermal printhead assembly (8 dots/mm)	Media thickness max 175µm
1	1-010043-91	1-010043-910	Thermal printhead assembly (8 dots/mm)	Media thickness max 170-220µm
1	1-010044-90	1-010044-900	Thermal printhead assembly (11.81 dots/mm)	Media thickness max 175µm
1	1-010044-91	1-010044-910	Thermal printhead assembly (11.81 dots/mm)	Media thickness max 170-220µm
1	1-010045-90	1-010045-900	Thermal printhead assembly (8 dots/mm) 3 mm offset	Media thickness 170-220µm
2	1-206239-00		Pressure arm	
3	1-206301-90	1-206301-90	Cam handle	
4	1-206154-00		Edge guide	
5	1-206389-01		Paper guide (upper)	
6	1-206380-00		Media link	
7	1-206248-01		Guide link	
8	1-206203-95		Platen roller/liner drive roller	Includes bearing
9	1-206278-04		Tear bar	
	1-206147-00		Label stop sensor assembly	Refer to page 11

Print Mechanism (Electronics Compartment Side 1)



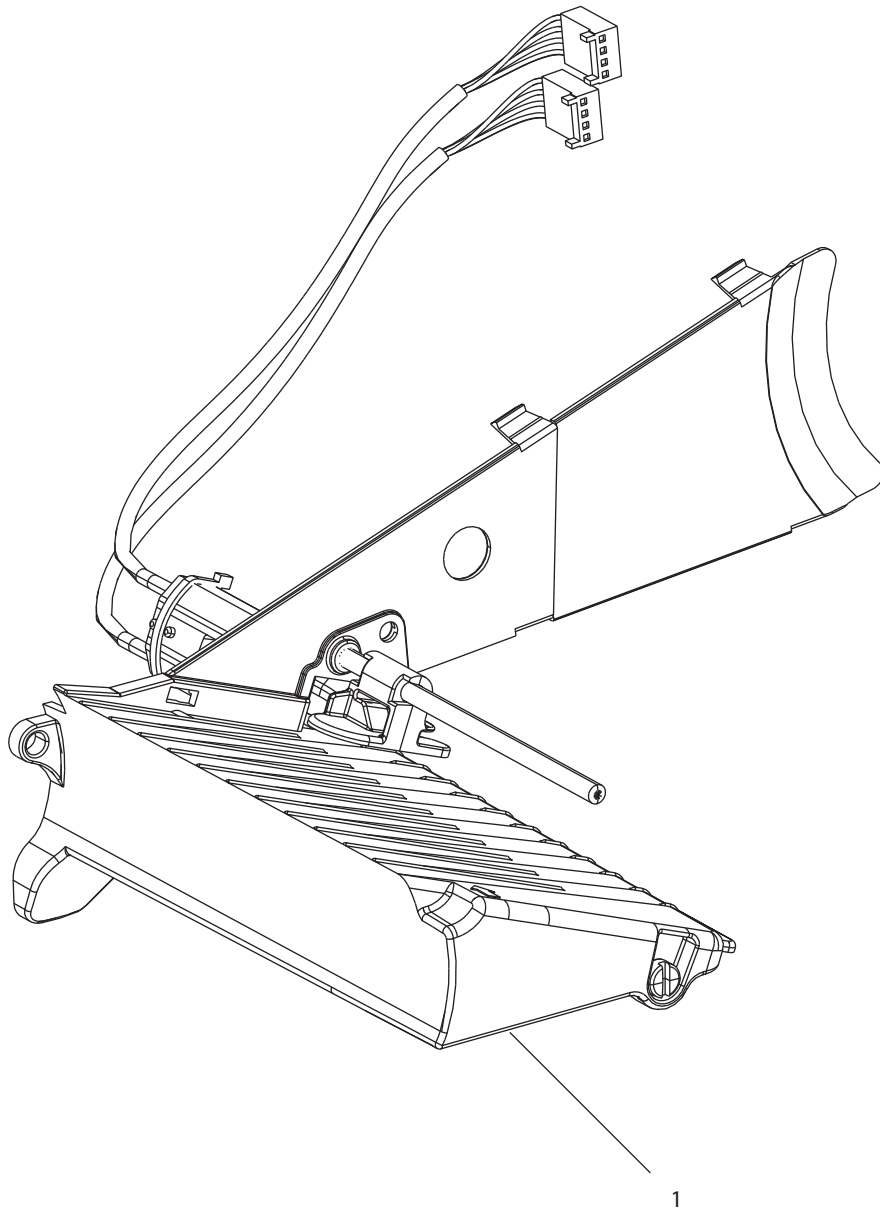
Callout	Part Number	Description	Remarks
1	1-995103-01	Belt	
2	1-206960-10	Stepper motor assembly	Includes pulleys
3	1-206100-01	Pulley	Assembled

Print Mechanism (Electronics Compartment Side 2)



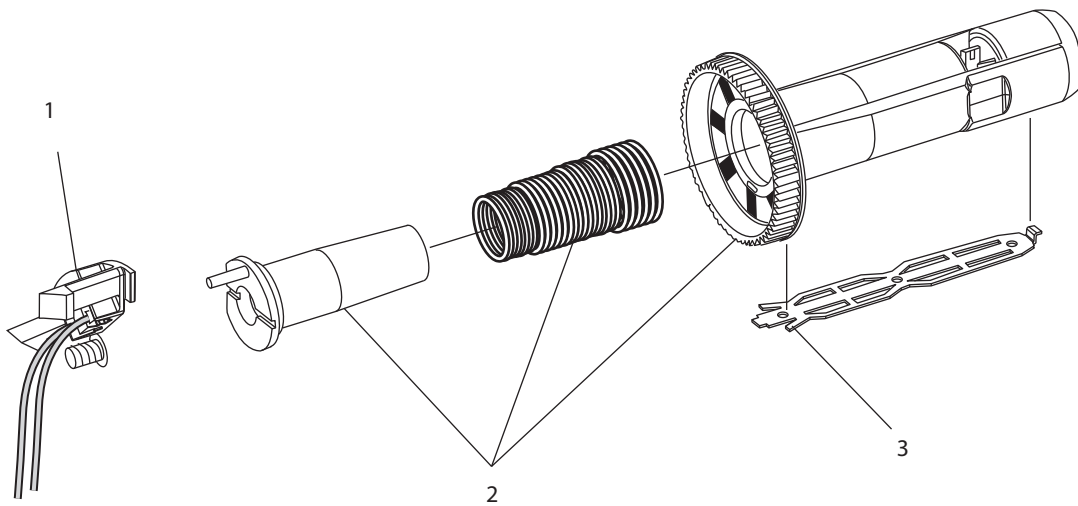
Callout	Part Number	RoHS Part Number	Description
1	1-206106-95	1-206106-95	Headlift linkage assembly
2	1-975576-00		Headlift sensor
3	1-206150-95	1-206150-95	Pressure arm assembly

Label Stop Sensor



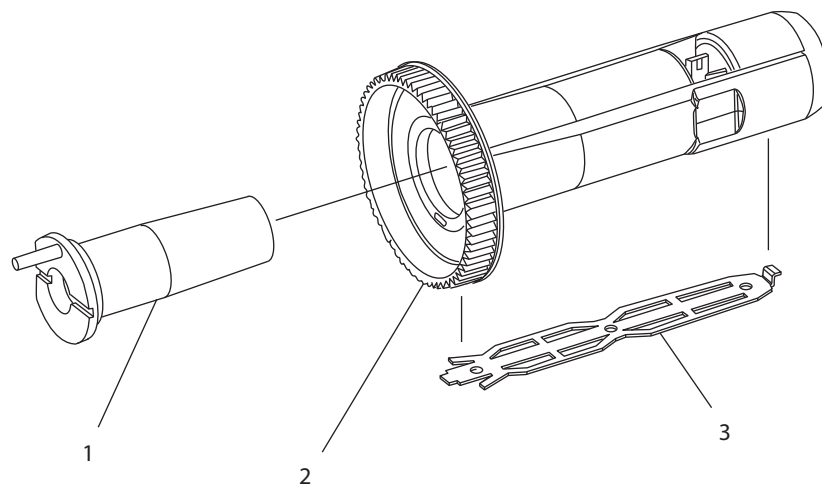
Callout	Part Number	Description	Remarks
1	1-206147-00	Label stop sensor	Complete unit includes cables and paper guide

Ribbon Supply Unit



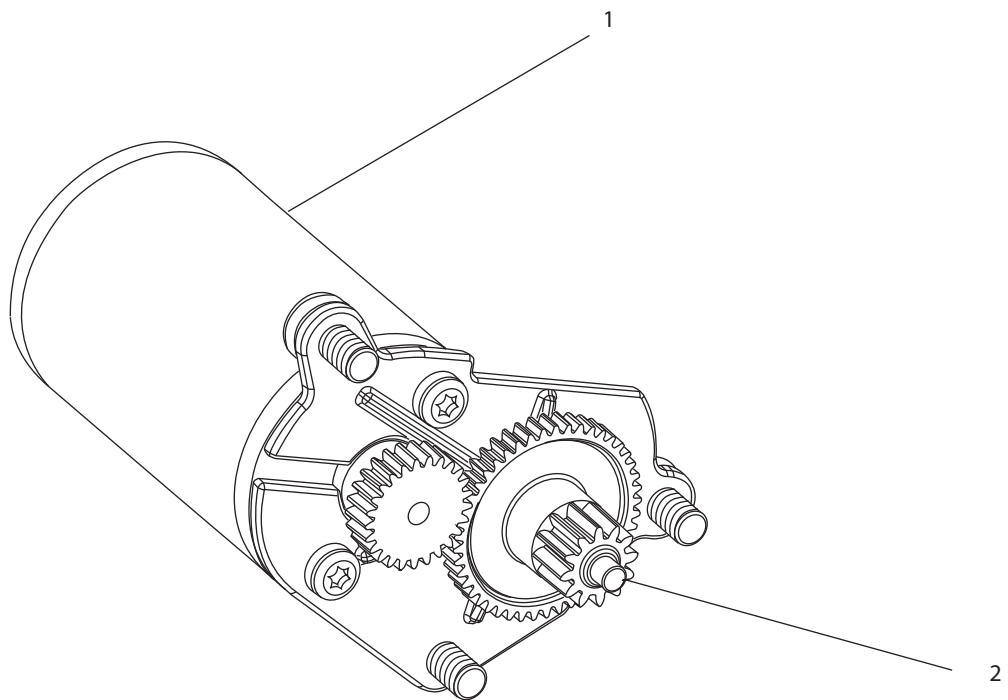
Callout	Part Number	Description	Remarks
1	1-975561-04	Ribbon sensor assembly	Includes cable
2	1-206112-02	Ribbon supply unit assembly	Bobbin, hub with code disc, and spring clutch
3	1-206266-01	Bobbin plate	

Ribbon Rewind Unit



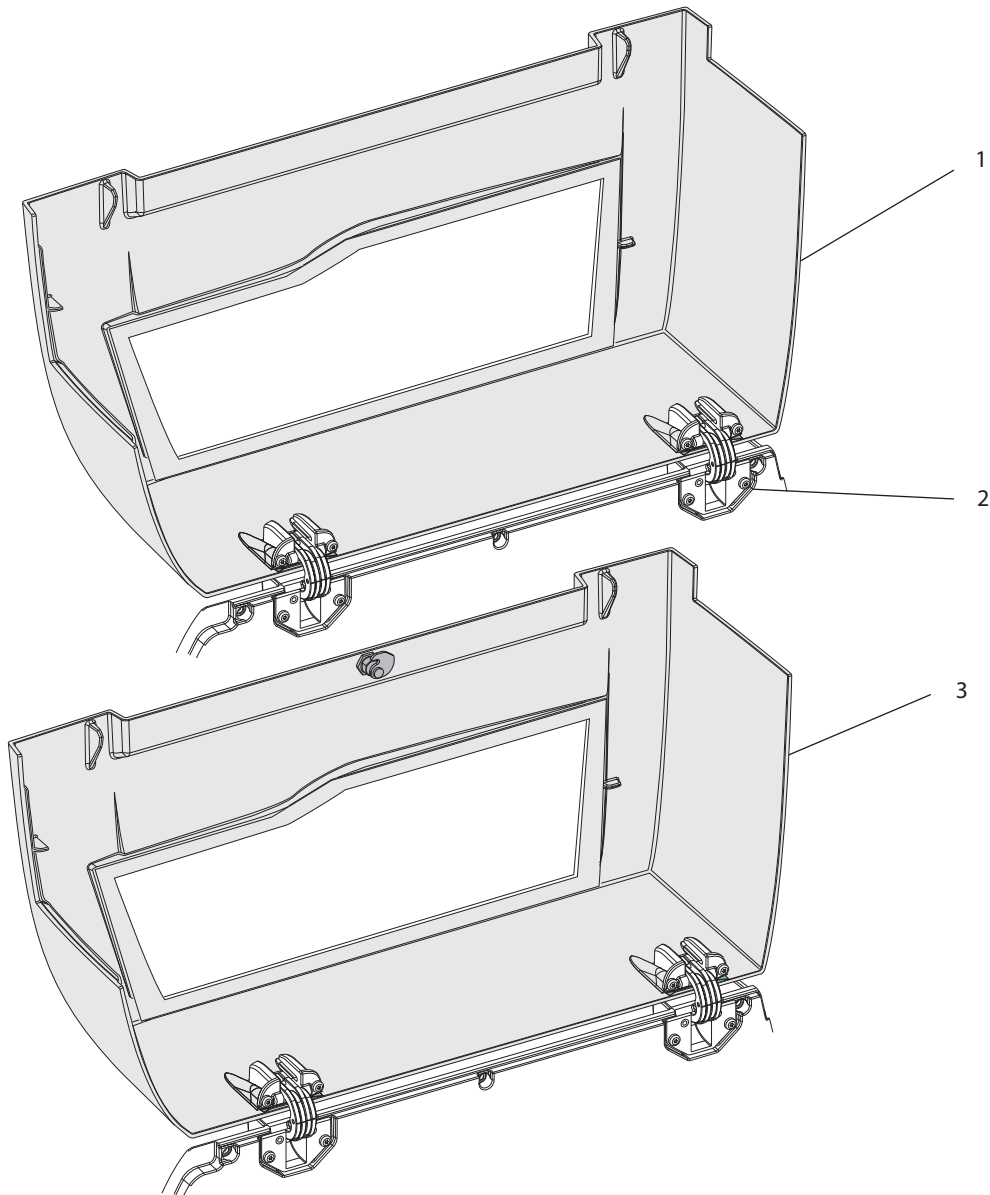
Callout	Part Number	Description
1	1-206271-00	Hub
2	1-206111-02	Bobbin
3	1-206266-01	Bobbin plate

Ribbon Motor



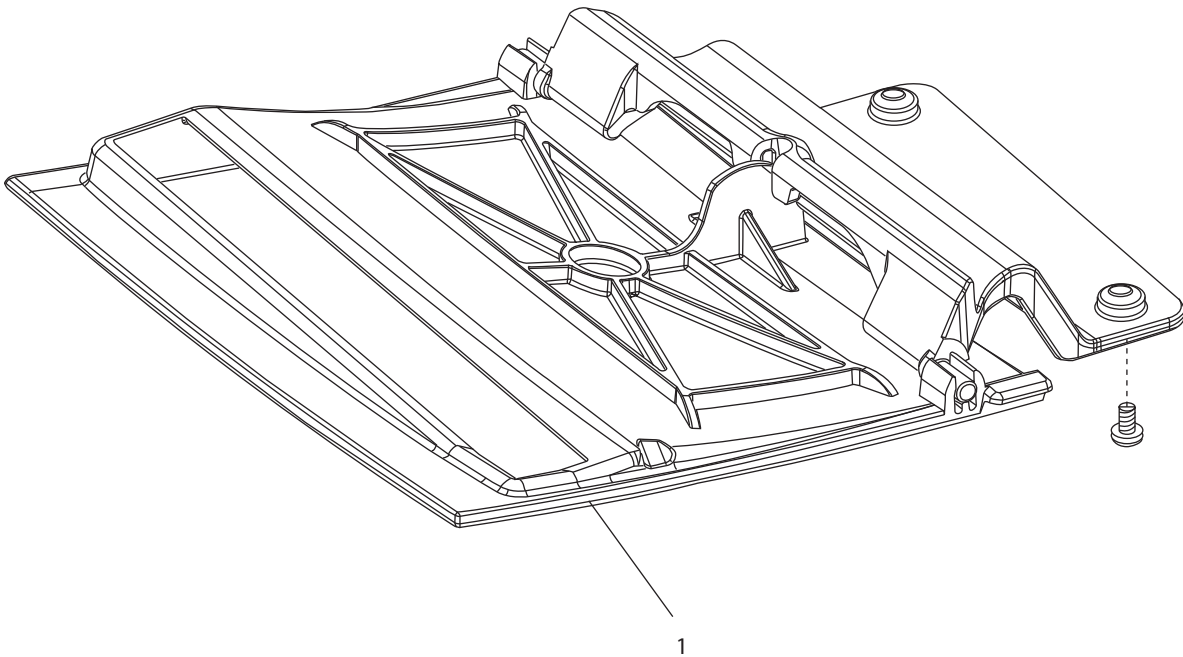
Callout	Part Number	RoHS Part Number	Description	Remarks
1	1-206159-90	1-206159-900	Ribbon motor assembly	Includes gear wheel and cable
2	1-206332-00		Gear wheel	

Side Doors



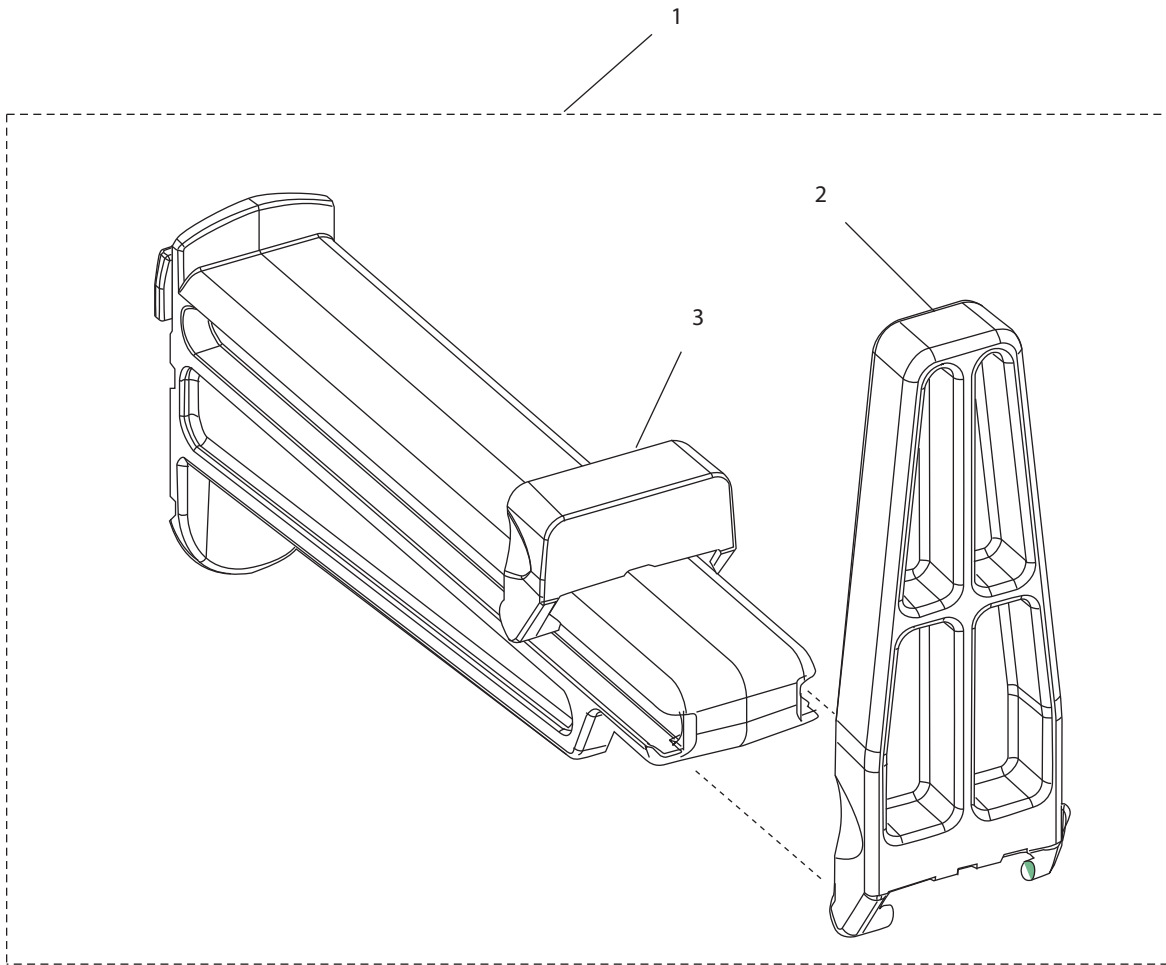
Callout	Part Number	RoHS Part Number	Description	Remarks
1	1-206135-91	1-206135-91	Side door (standard)	Includes window and label No hinges
2	1-206138-00		Hinge assembly	
3	1-206177-90	1-206177-90	Side door with keylock	Includes hinges

Front Door



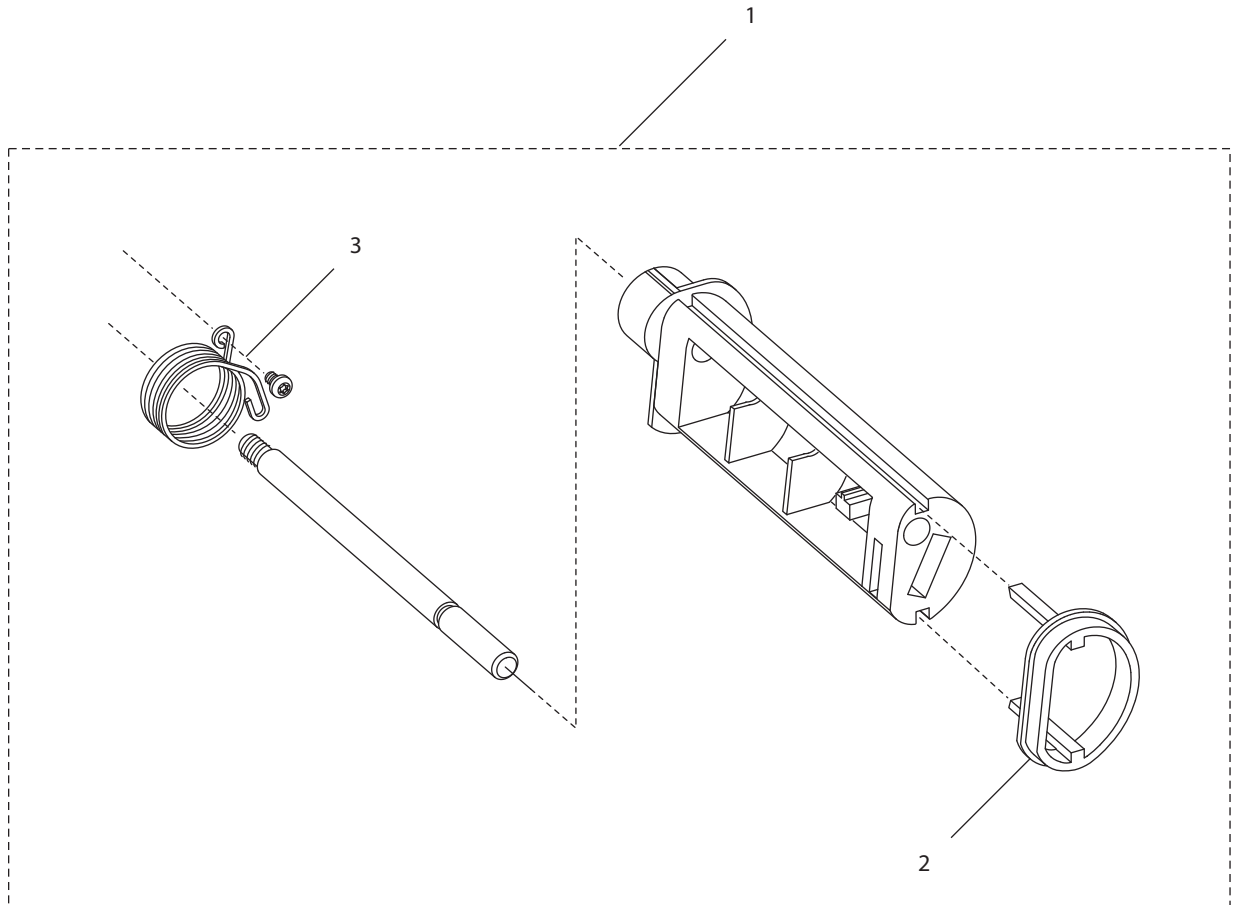
Callout	Part Number	Description
1	1-206141-00	Door, front

Media Supply Roll Post



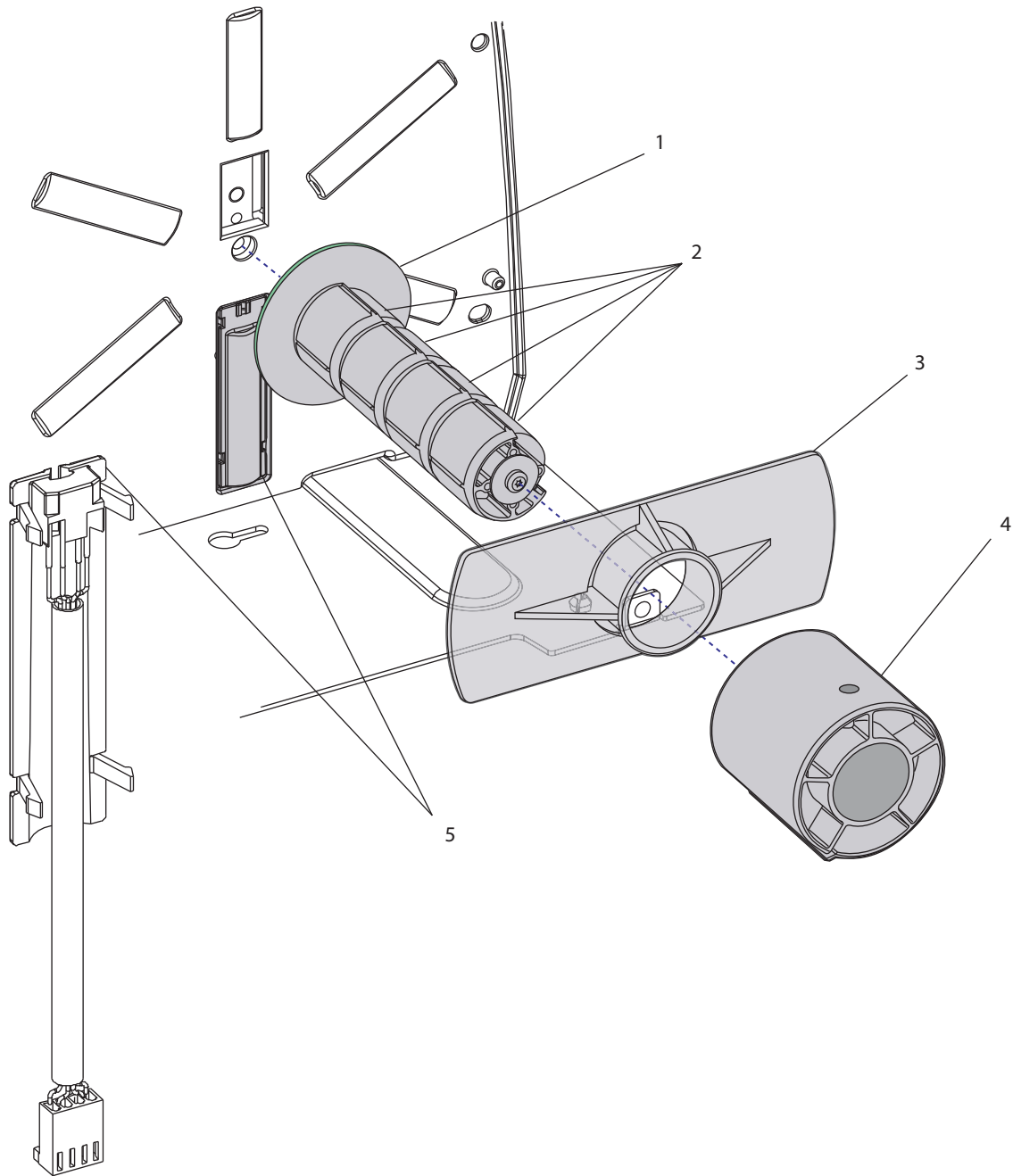
Callout	Part Number	RoHS Part Number	Description	Remarks
1	1-206383-90	1-206383-90	Media supply roll post assembly	Includes large and small edge guide and screw
2	1-206384-05		Edge guide, large	
3	1-206438-01		Edge guide, small	

Label Slack Absorber



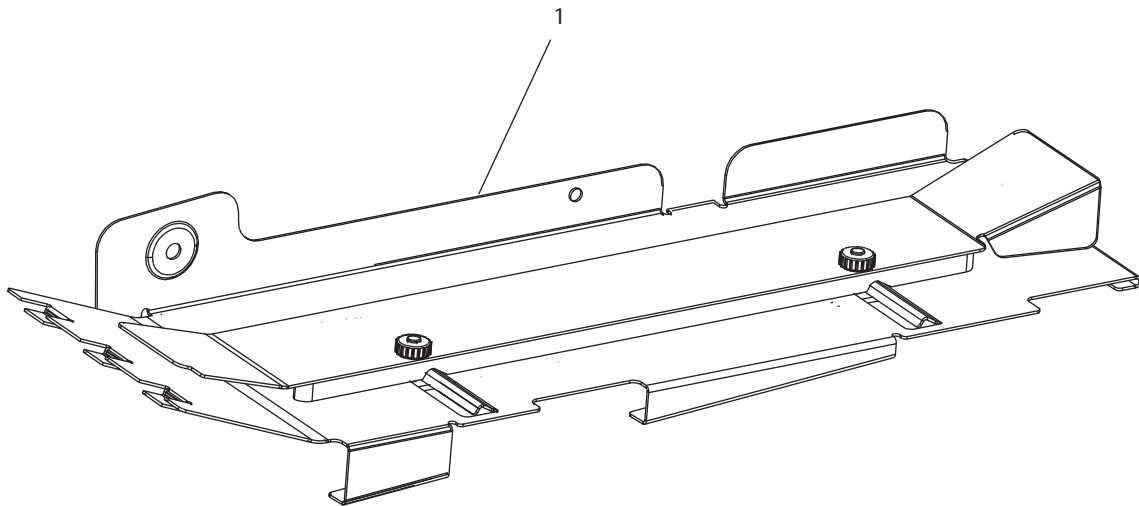
Callout	Part Number	Description	Remarks
1	1-206318-00	Label slack absorber assembly	Includes edge guide, spring, shaft, and screw
2	1-040329-00	Edge guide	
3	1-040321-00	Spring	

Media Supply Roll Hub Kit (Option)



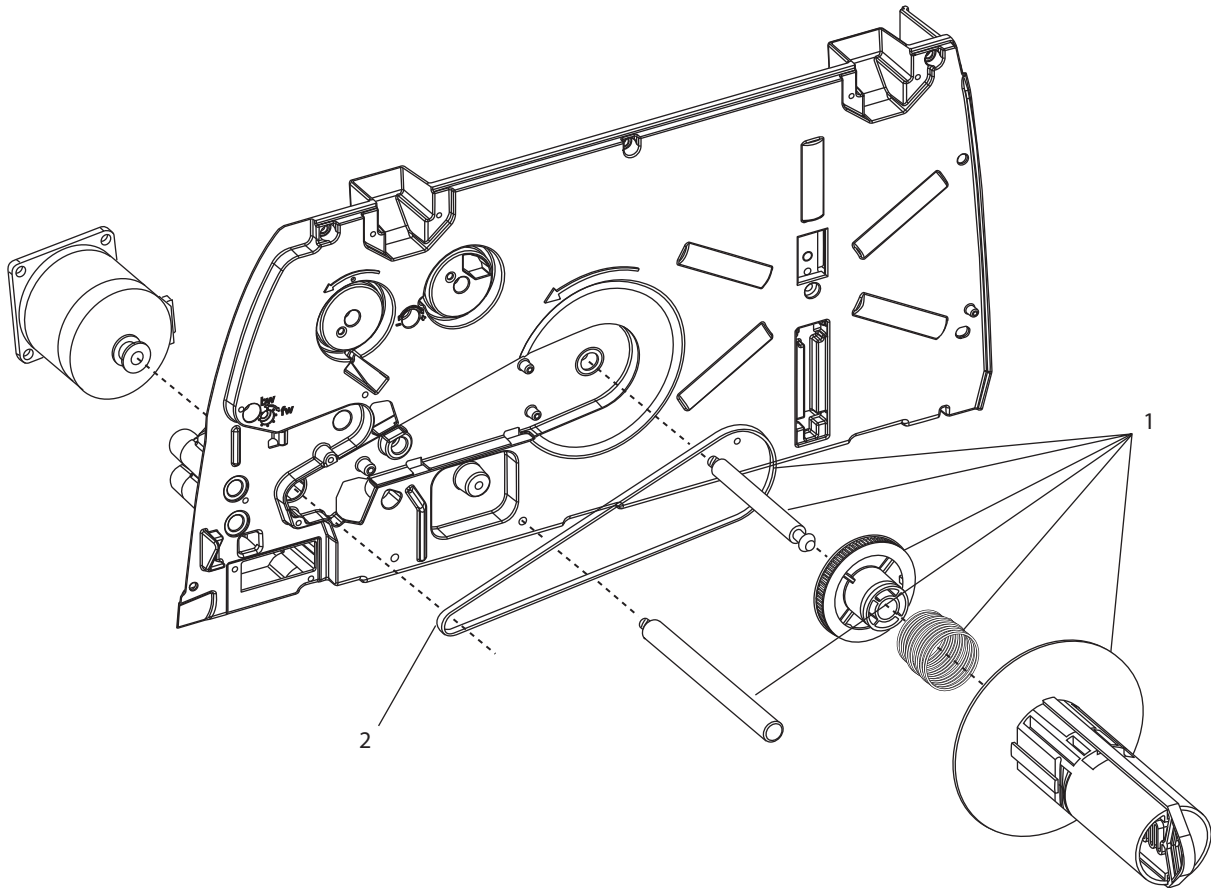
Callout	Part Number	Description	Remarks
	1-206651-70	Media supply roll hub kit	Includes all illustrated parts
1	1-206172-00	Media supply roll hub assembly	
2	1-150166-00	Bobbin assembly	
3	1-776290-00	Media roll retainer	
4	1-040327-52	Bobbin adapter	For core inner diameter 76 mm/3 in
5	1-206158-00	Paper low sensor assembly	

Fan-Fold Guide (Option)



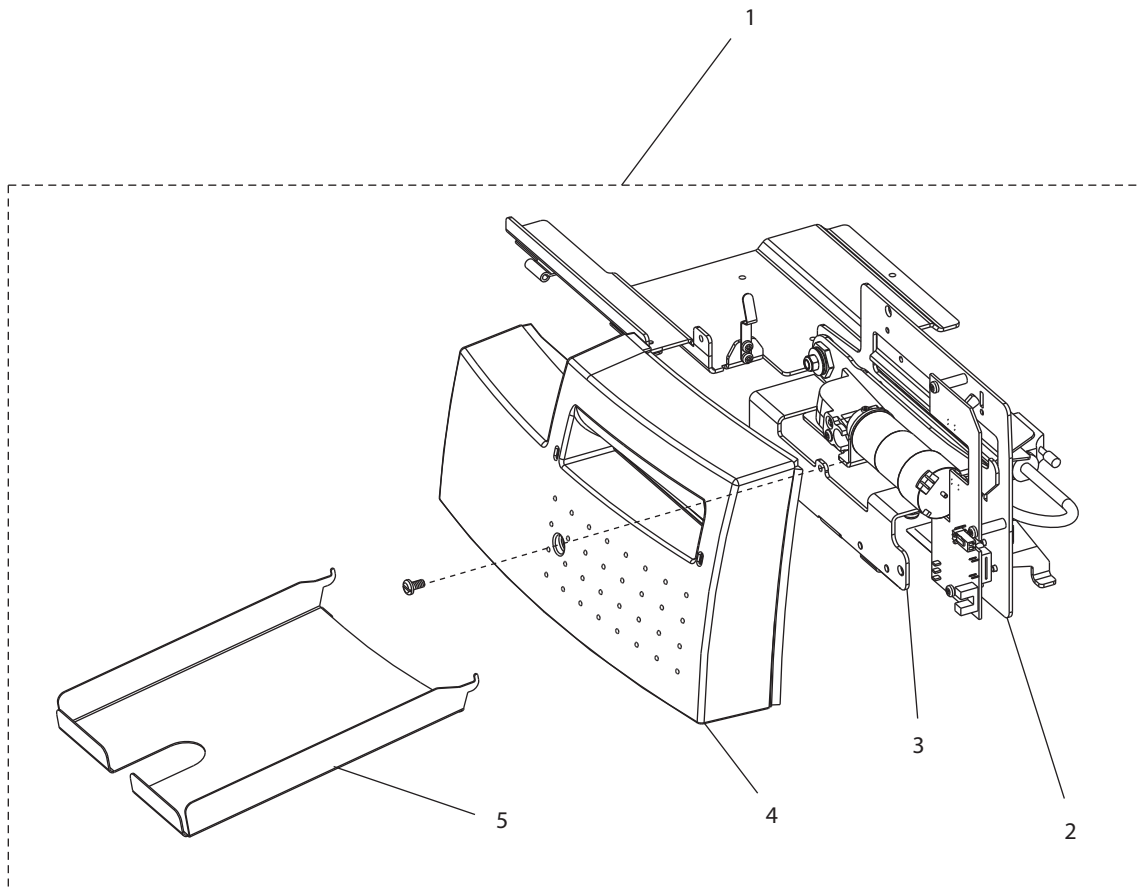
Callout	Part Number	Description	Remarks
1	1-206318-00	Label slack absorber assembly	Includes edge guide, spring, shaft, and screw

Liner Takeup Unit



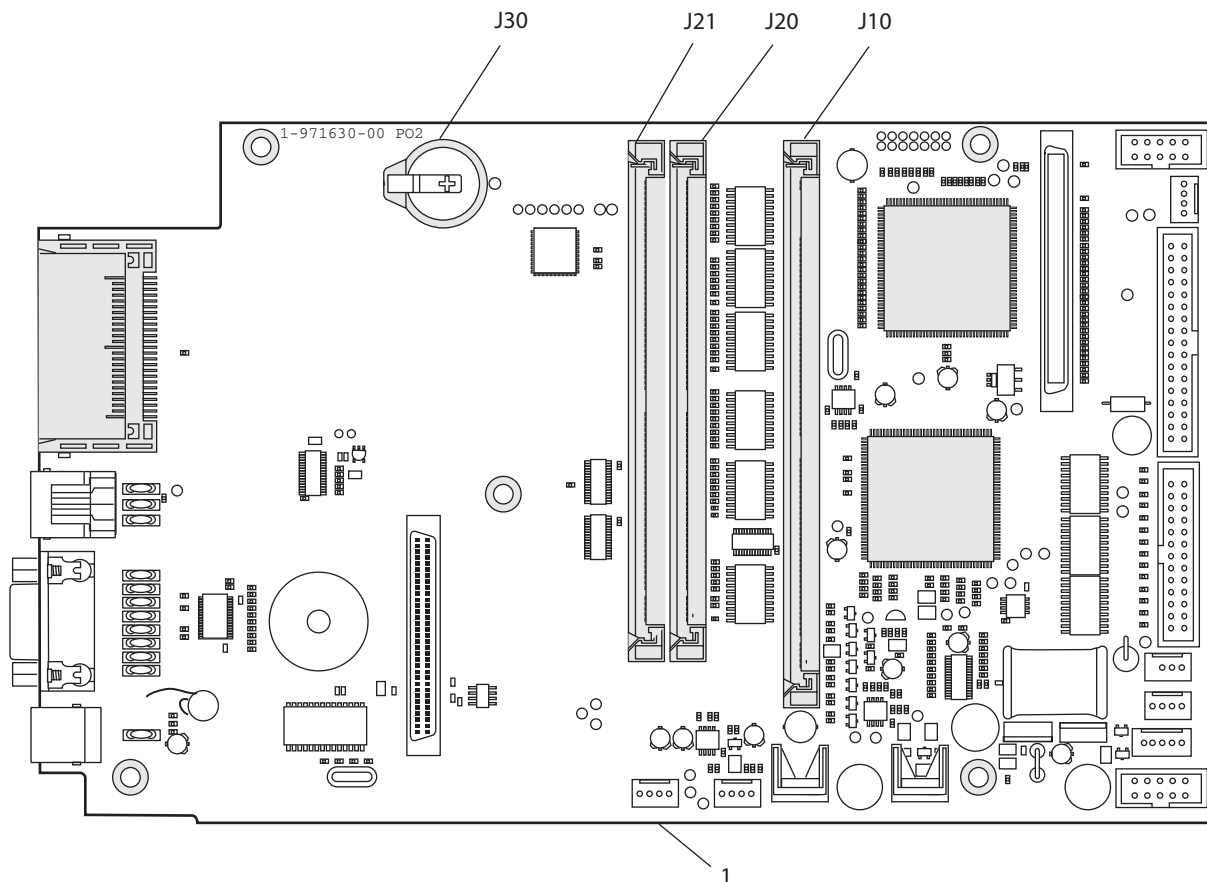
Callout	Part Number	RoHS Part Number	Description	Remarks
1	1-206571-90	1-206571-90	Liner takeup unit assembly	Includes hub, spring clutch, pulley, shaft, belt, and guide shaft
2	1-995103-05		Timing belt	

Paper Cutter Kit (Option)



Callout	Part Number	RoHS Part Number	Description	Remarks
1	1-206012-90	1-206012-900	Cutter kit assembly	Complete kit
2	1-971650-50		Cutter board assembly	
3	1-206163-01		Cutter assembly	
4	1-206164-00		Cover	
5	1-206432-00		Tray	

CPU Board



Callout	Part Number	RoHS Part Number	Description	Remarks
1	1-971630-90	1-971130-900	CPU board assembly	Flash and DRAM SIMMs not included
J21	1-020040-04	1-020040-004	Flash SIMM 4MB (Boot)	Flash memory expansion
J21	1-020040-08	1-020040-008	Flash SIMM 8MB (Boot)	Flash memory expansion
J21	1-020040-16		Flash SIMM 16MB (Boot)	Flash memory expansion
J10	1-971634-25	1-971134-001	SDRAM SIMM 8MB	SDRAM memory expansion
J10	1-971634-30	1-971134-001	SDRAM SIMM 16MB	SDRAM memory expansion
J30	1-956009-90	1-936009-900	Real time clock circuit	



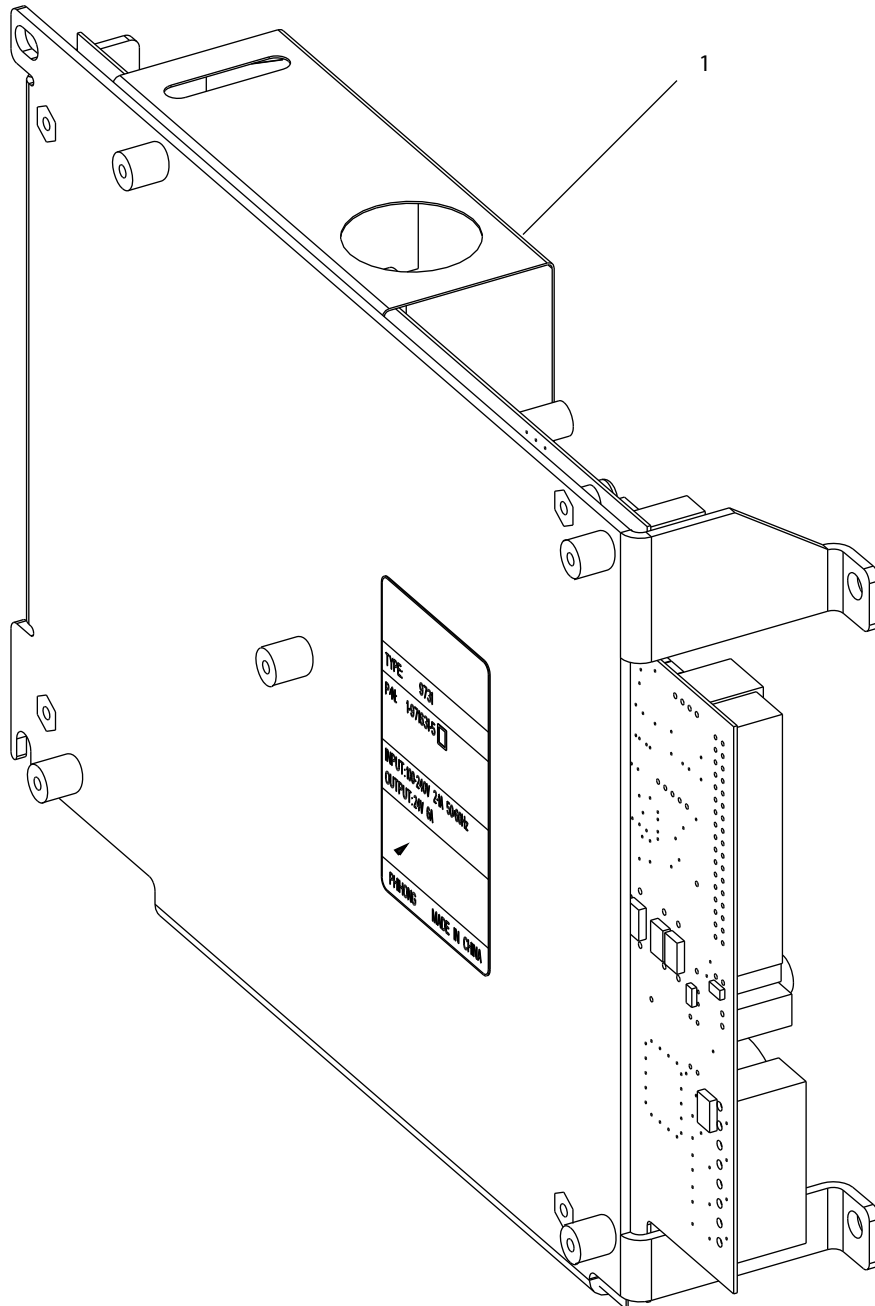
Caution

The CPU Board will first need to be configured to work. Refer to EasyCoder PM4i Service Manual Chapter 13.8 for instructions.



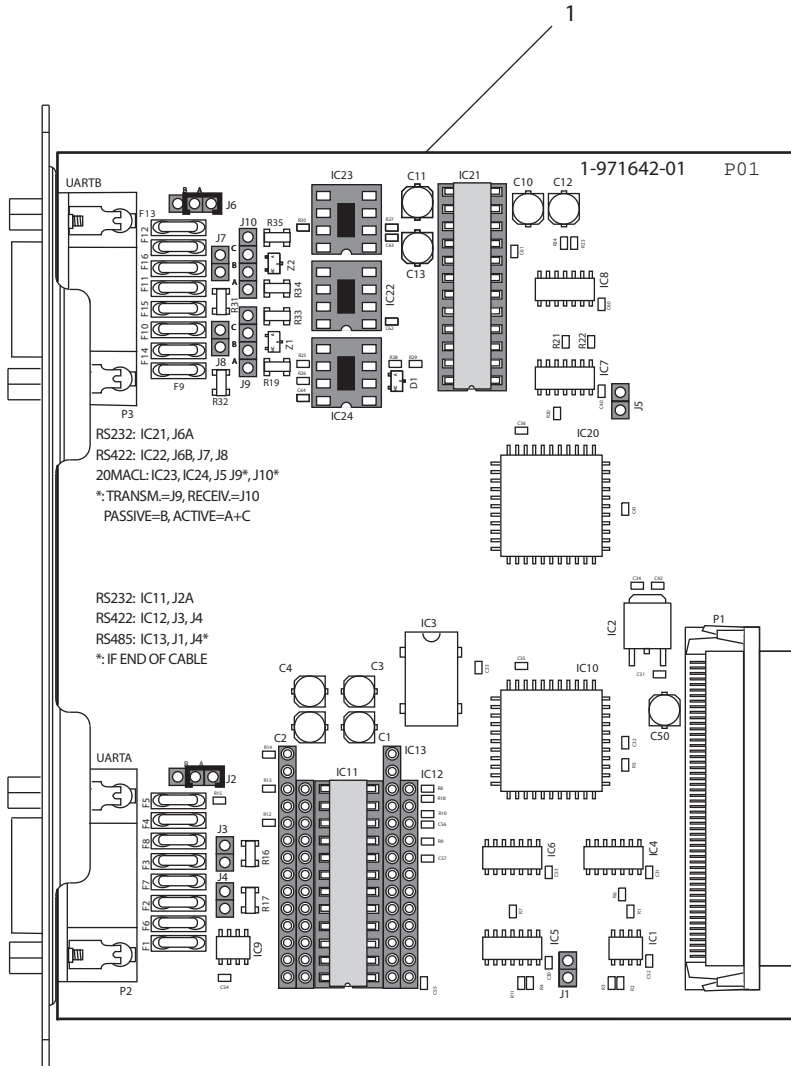
Note: All flash memory expansion units are delivered blank except for the boot sector. The latest firmware releases can always be obtained via the Intermec Global Services & Support web site.

Power Supply Unit



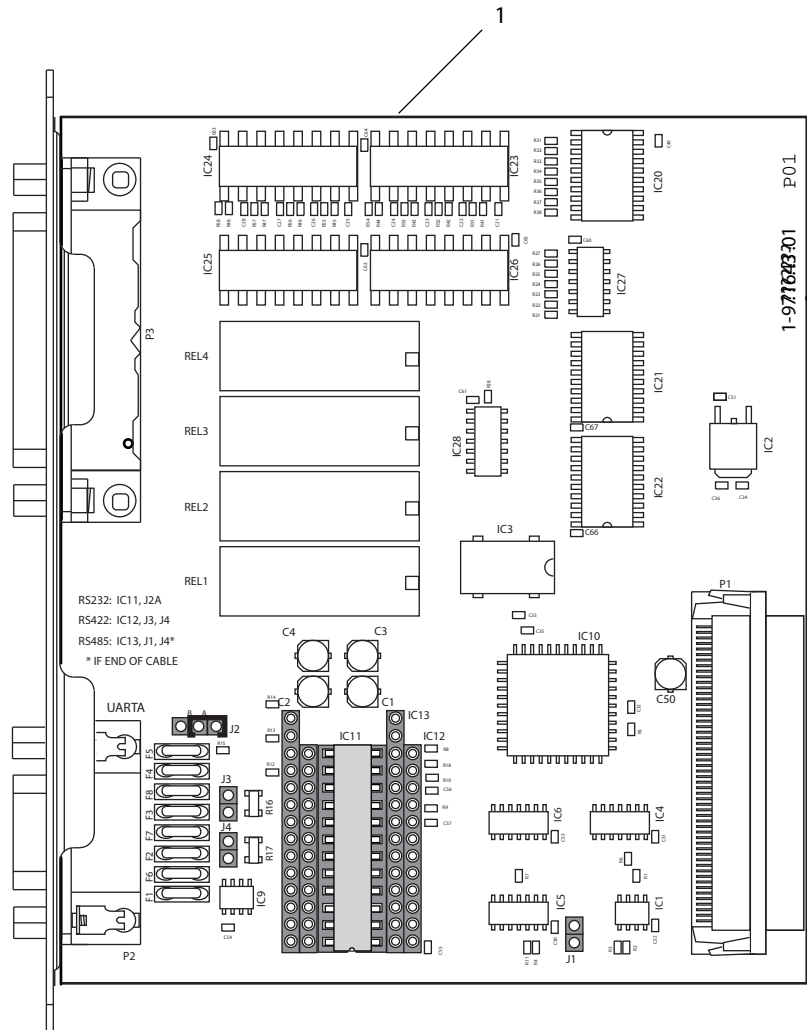
Callout	Part Number	Description
1	1-971631-50	Power supply assembly

Double Serial Interface Kit (Fingerprint Option)



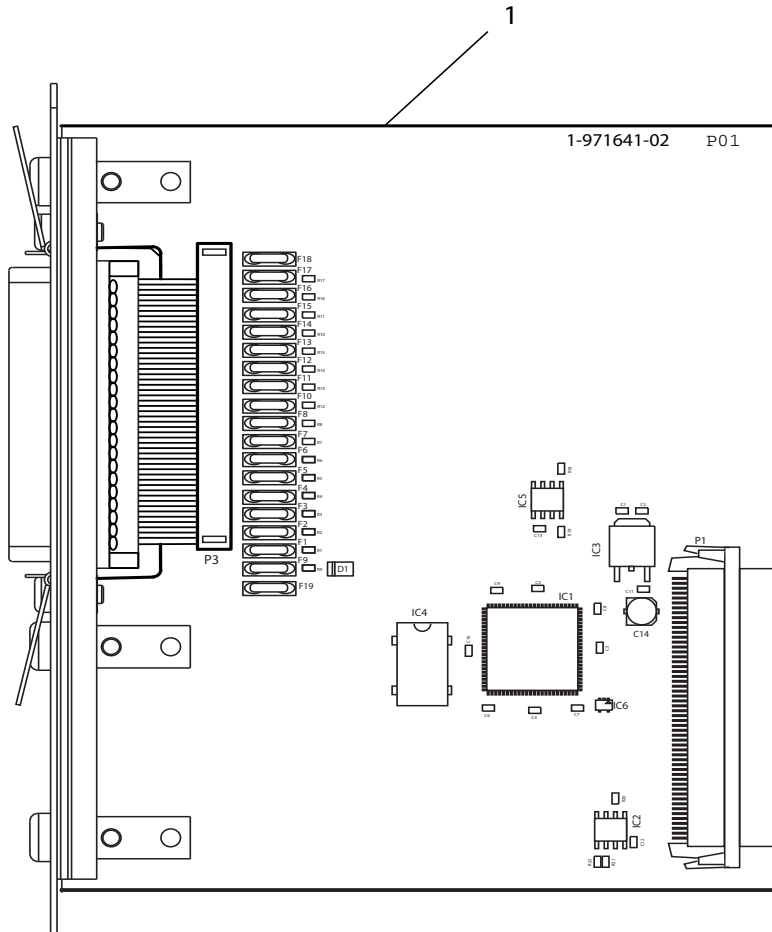
Callout	Part Number	Description	Remarks
1	1-971642-80	Double serial interface board kit	Complete kit. Fitted for 2x RS-232.
		Modification circuits (for one port):	
	1-956036-00	RS-422 non isolated	
	1-956038-01	RS-422 isolated	
	1-985319-00	20 mA current loop	2 optocouplers
	1-956037-01	RS-485	1 circuit

Serial/Industrial Interface Kit (Fingerprint Option)



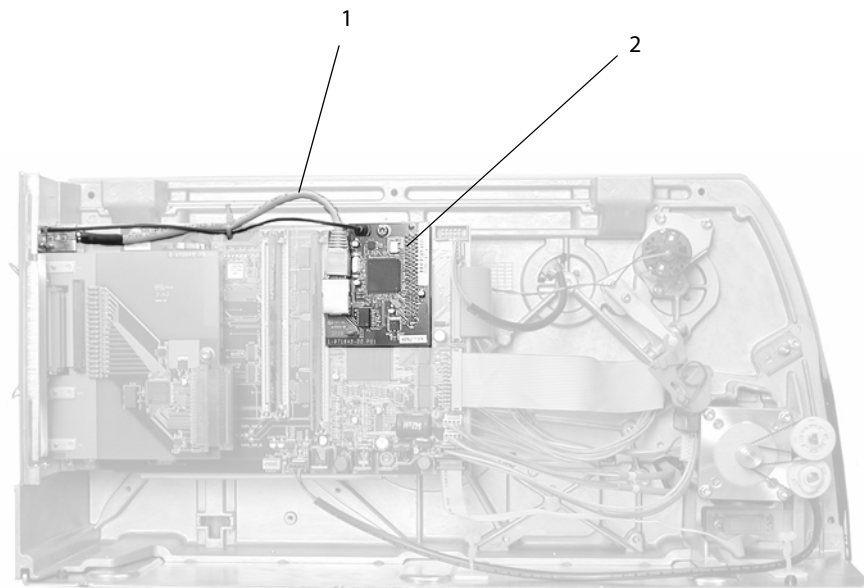
Callout	Part Number	RoHS Part Number	Description	Remarks
1	1-971643-80	1-971143-800	Serial/industrial interface board kit	Complete kit. Serial port fitted for RS232.
Modification circuits (for serial port):				
	1-956036-00		RS-422 non isolated	1 circuit
	1-956038-01	1-936038-001	RS-422 isolated	1 circuit
	1-956037-01	1-956007-001	RS-485	1 circuit

IEEE 1284 Parallel Interface Kit (Option)



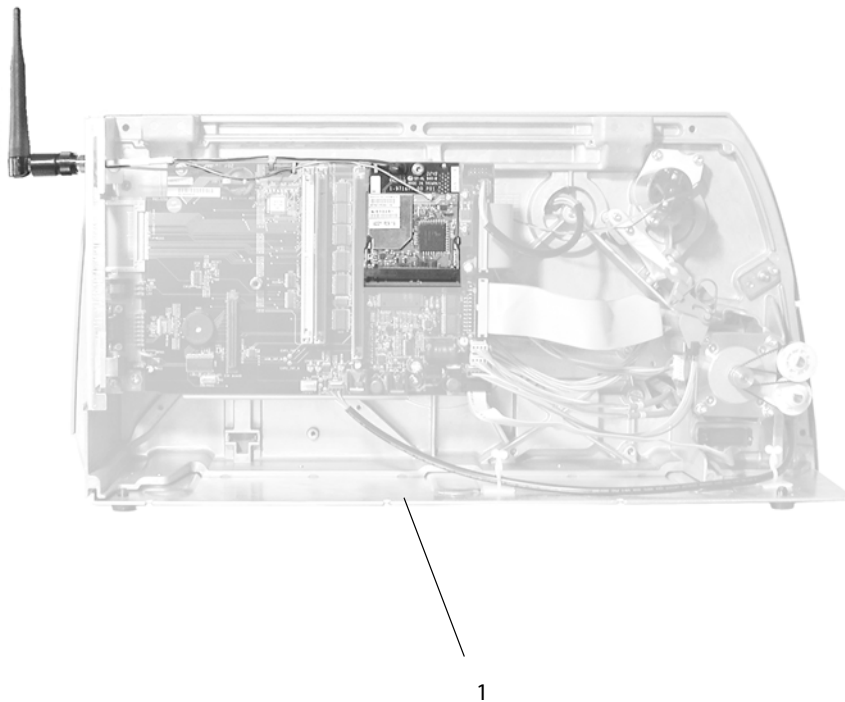
Callout	Part Number	RoHS Part Number	Description	Remarks
1	1-971641-80	1-971143-800	IEEE 1284 parallel interface board kit	Complete kit

EasyLan Ethernet Interface Kit (Option)



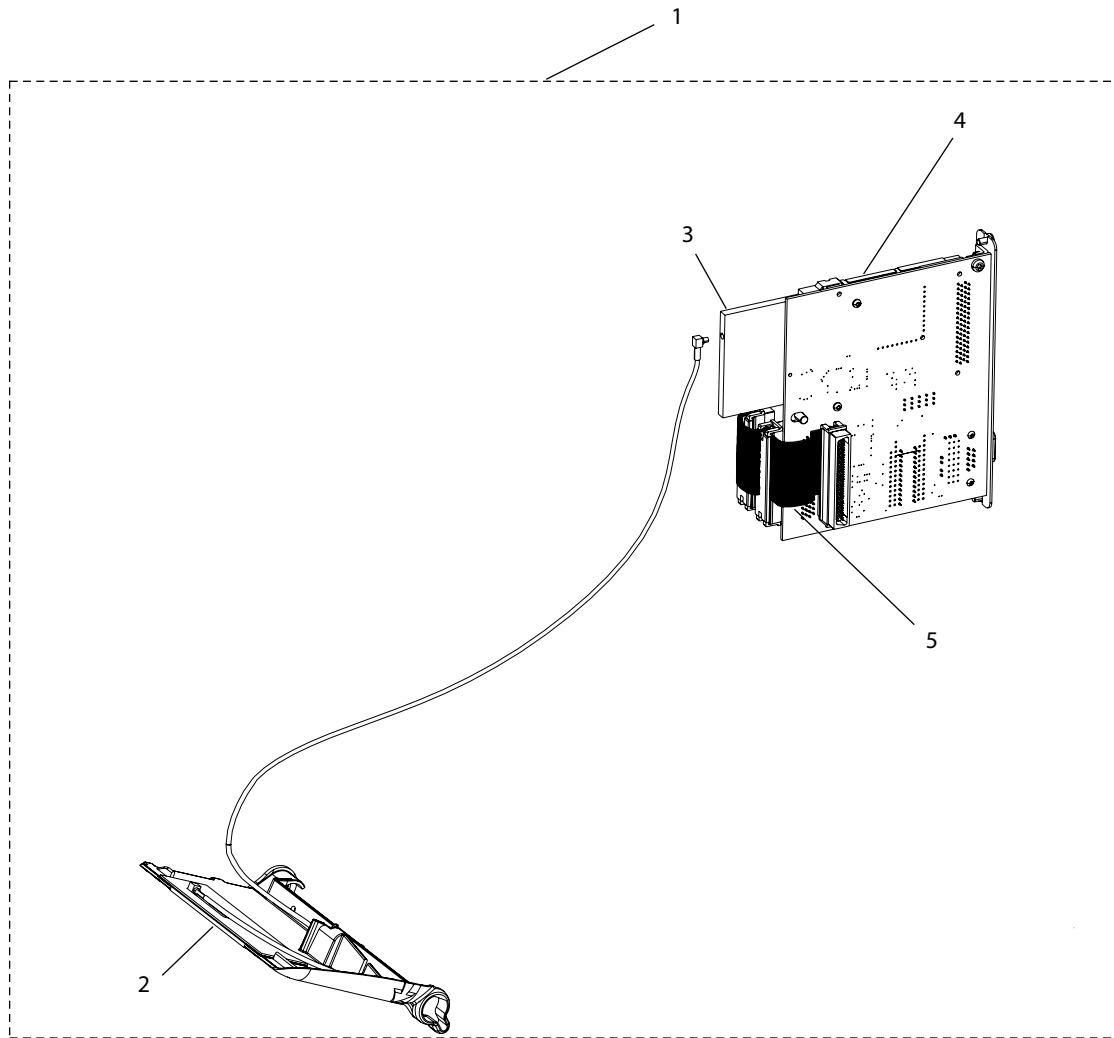
Callout	Part Number	RoHS Part Number	Description	Remarks
1	1-975569-00		RJ45 extension cable	
2	1-971645-80	1-971145-800	EasyLAN ethernet interface kit	Complete kit includes CD-ROM

EasyLAN Wireless Interface Kit (Option)



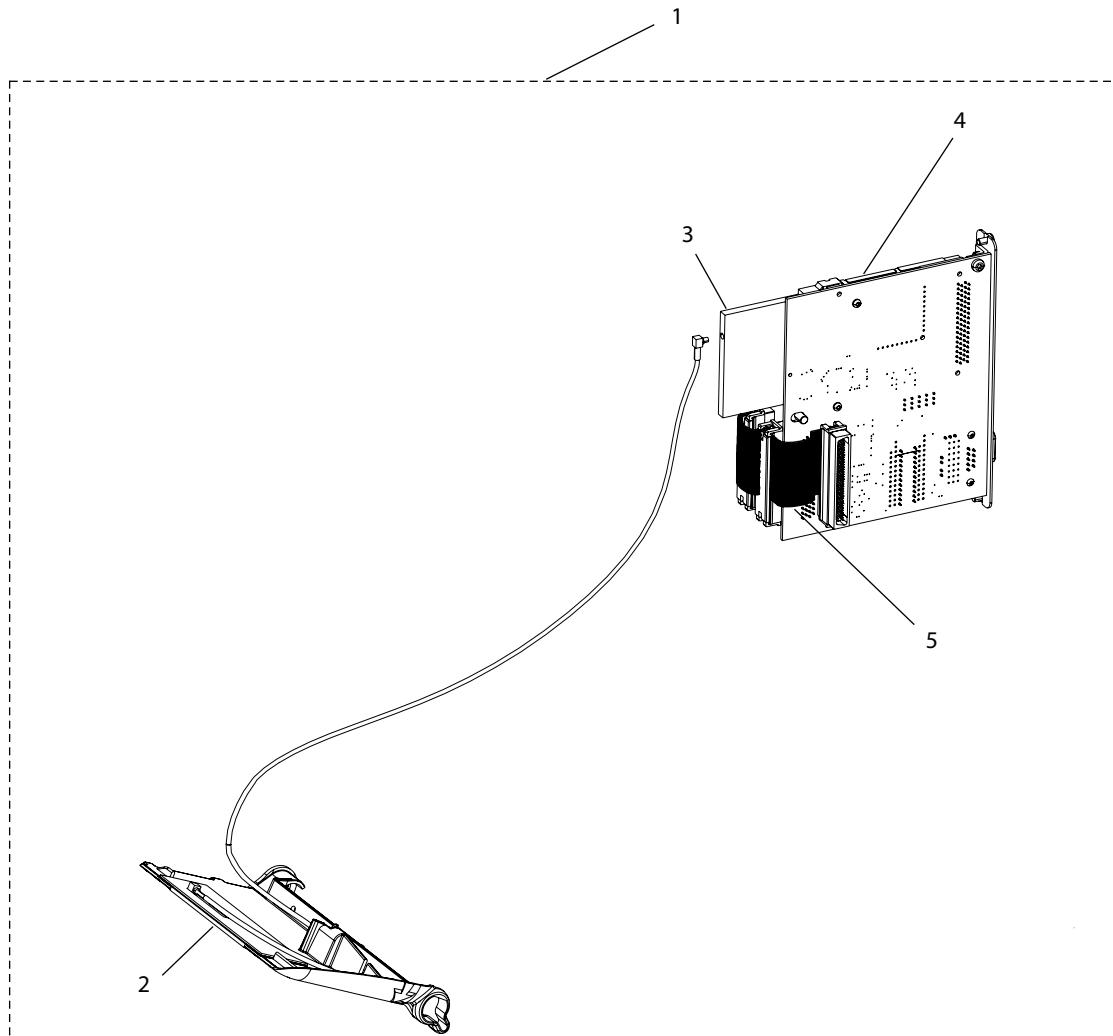
Callout	Part Number	RoHS Part Number	Description	Remarks
1	1-971646-80	1-971146-800	EasyLAN wireless interface kit	Complete kit includes CD-ROM

RFID Kit (IM4 869 MHz) (Option)



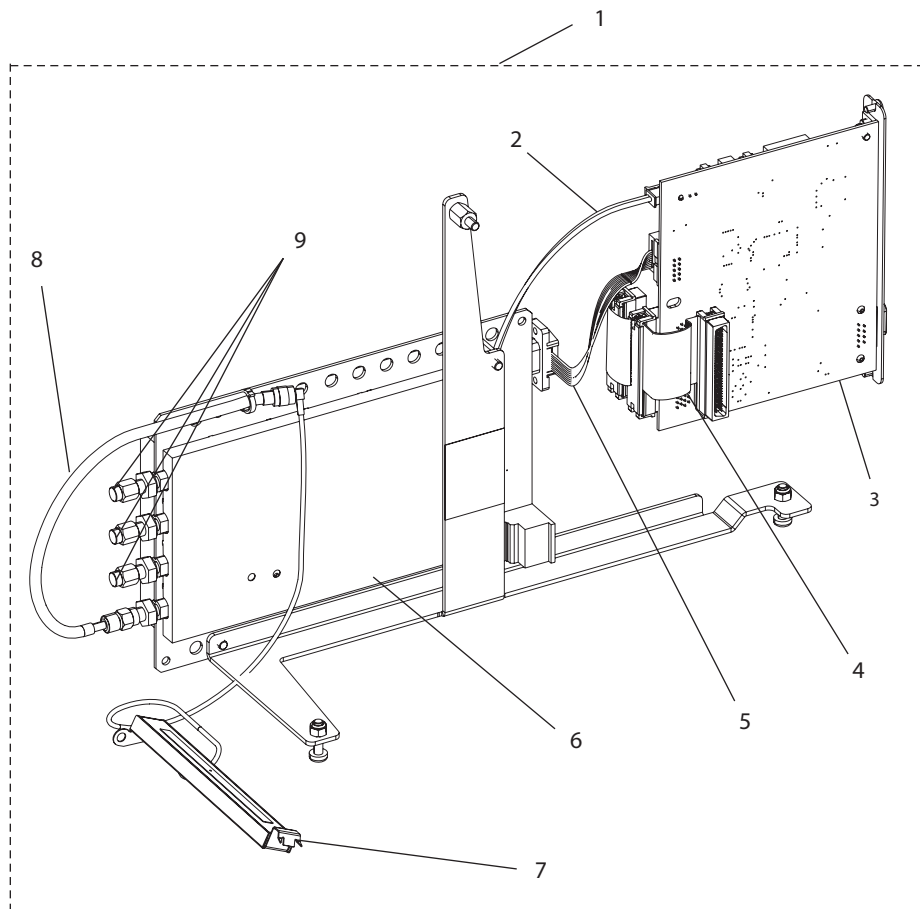
Callout	Part Number	Description	Remarks
1		RFID kit (869 MHz)	Complete kit
2	1-207150-001	Antenna (coupler) RFID PM4i assembly	
3	705-577-001	RFID module (869 MHz)	
4	1-971144-003	I/O board	
5	1-974010-012	Dual slot I/O bus cable	
	1-207022-001	RFID label (869 MHz)	Not shown

RFID Kit (IM4 915 MHz) (Option)



Callout	Part Number	Description	Remarks
1	1-207201-100	RFID kit (915 MHz)	Complete kit
2	1-207150-001	Antenna (coupler) RFID PM4i assembly	
3	705-578-001	RFID module (915 MHz)	
4	1-971144-003	I/O board	
5	1-974010-012	Dual slot I/O bus cable	
	1-207022-010	RFID label (915 MHz)	Not shown

RFID Kit (IM5 869 MHz) (Option)



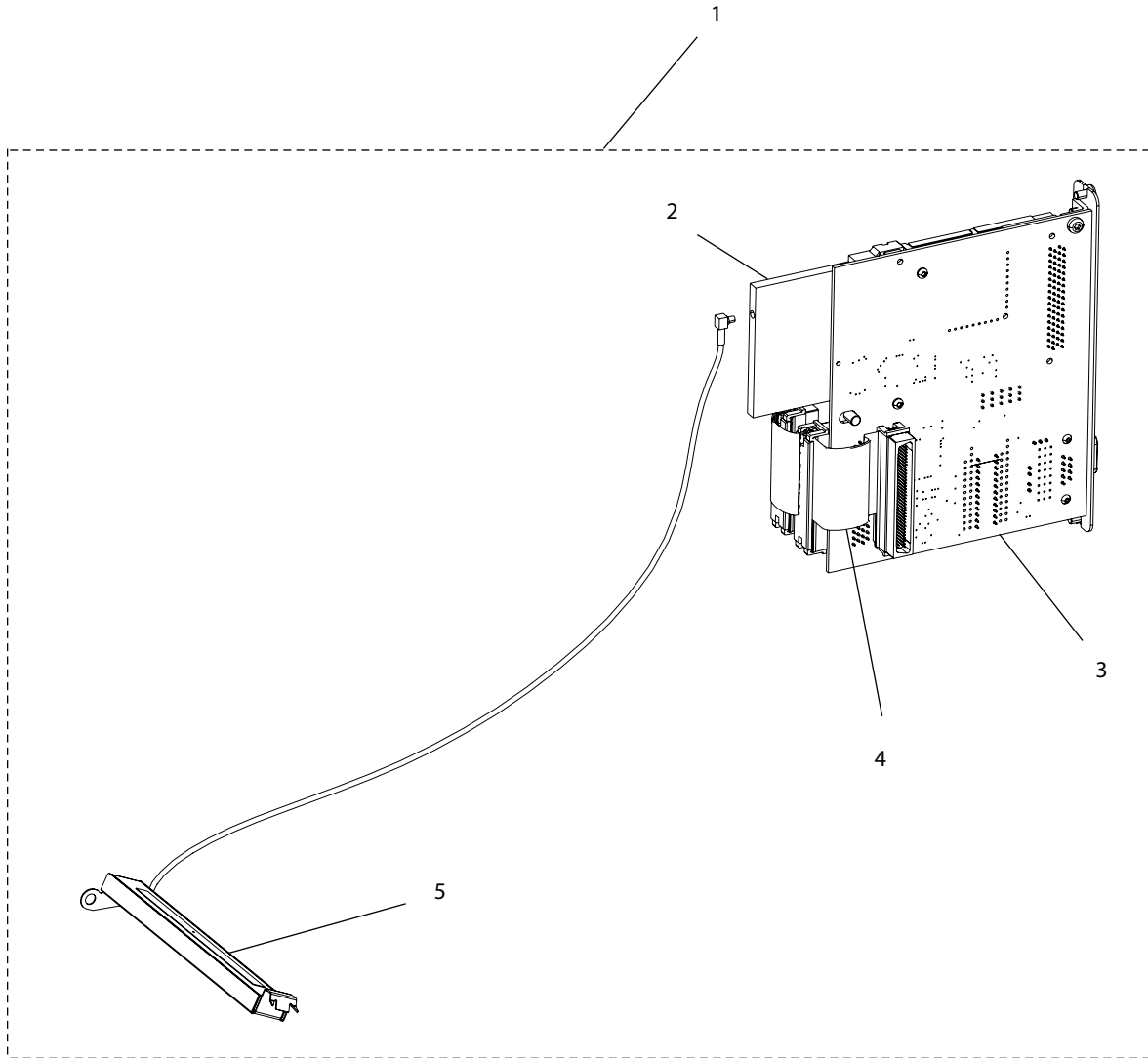
Callout	Part Number	RoHS Part Number	Description	Remarks
1	1-207028-800		RFID kit (IM5 869 MHz)	Complete kit
2	1-975624-20		IM5 power cable	
3	1-971647-90	1-971147-900	I/O board	
4	1-975567-01		Dual Slot I/O Bus Cable	
5	1-975623-11		IM5 data cable	
6	224-423-401A		IM5 module	
7	1-206586-10	1-206586-90	Antenna 869 MHz, RFID PM4i assembly	
8	1-975626-20		SMA to MMCX adapter cable	
9	345-005-001		Terminator, SMA plug	One plug



Caution

This product is for operation under a general license or license exemption in the following countries only: Austria, Belgium, Denmark, Finland, France, Germany, Greece, Ireland, Luxembourg, The Netherlands, Portugal, Spain, Sweden, United Kingdom, Norway, and Switzerland.

RFID Kit (Class 1, 915 MHz) (Option)

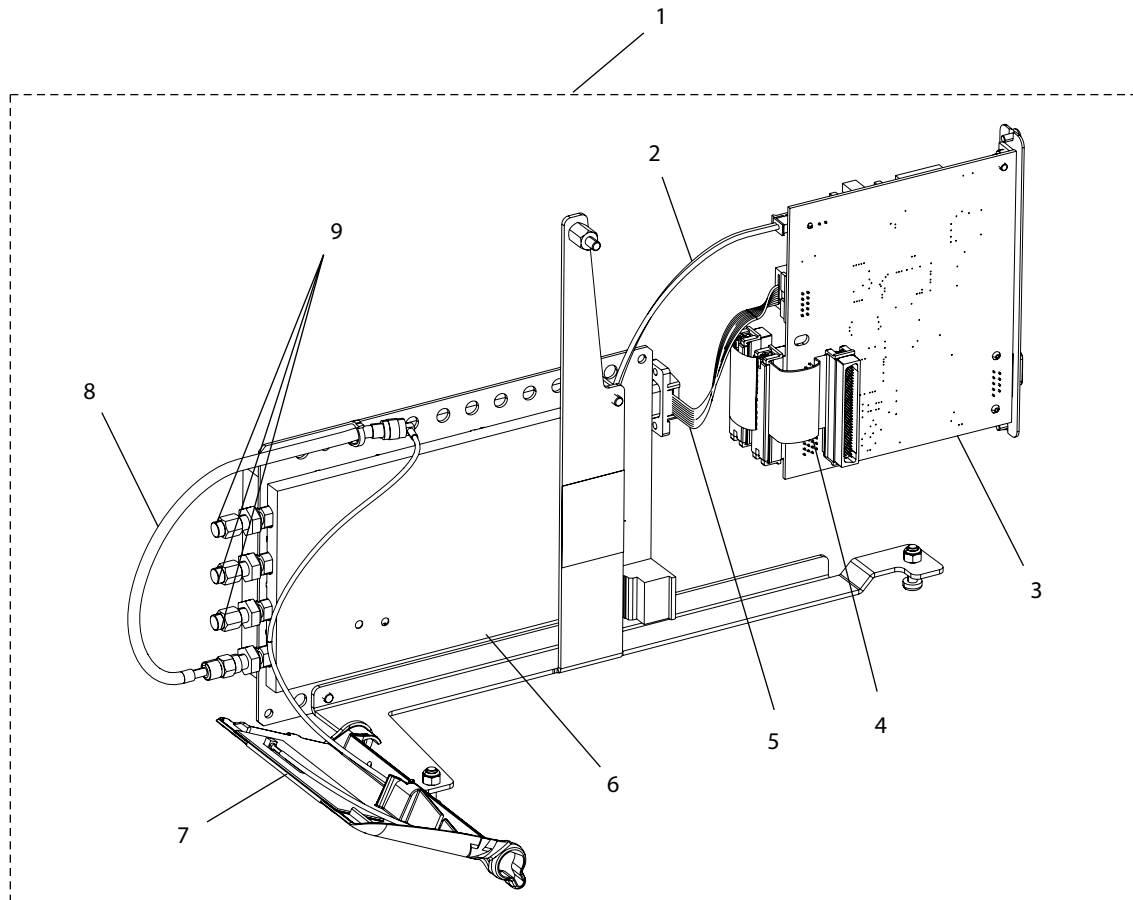


Callout	Part Number	RoHS Part Number	Description	Remarks
1	1-207033-800		RFID kit (Class 1, 915 MHz)	Complete kit
2	1-959184-90	1-959184-90	Class 1 RFID module	
3	1-971644-90	1-971144-900	RFID option board	
4	1-975567-01		Dual slot I/O bus cable	
5	1-206586-90	1-206586-90	Antenna assembly	Includes cable



This product is for operation under a general license or license exemption in the USA only.

RFID Kit (Gen 2, 869 MHz) (Option)

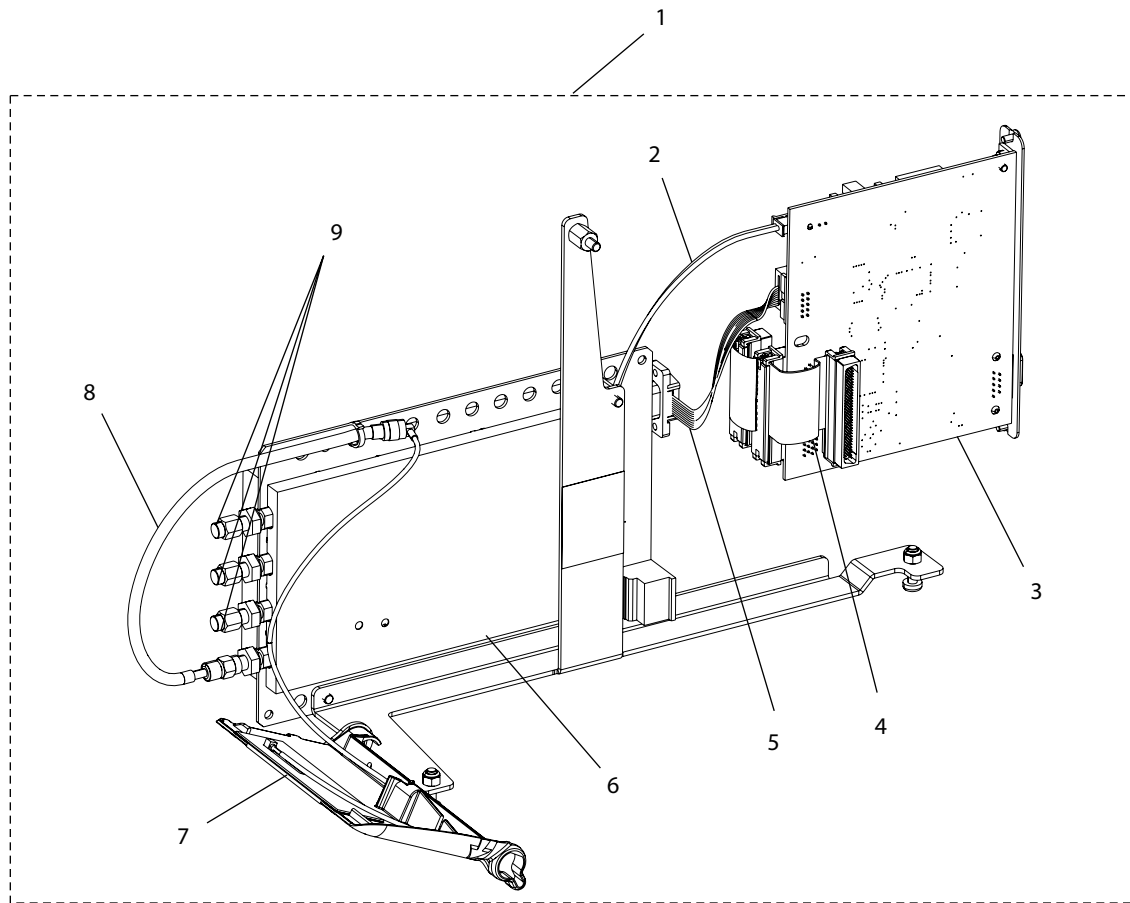


Callout	Part Number	Description	Remarks
1	1-207100-001	RFID kit (Gen 2, 869 MHz)	Complete kit
2	1-975624-20	IM5 power cable	
3	1-971747-90	I/O board	
4	1-975567-01	Dual slot I/O bus cable	
5	1-975623-11	IM5 data cable	
6	IM5A002003	IM5 module 869 MHz + terminator	
7	1-207112-900	Antenna (coupler) RFID PM4i assembly	
8	1-94032-020	SMA to MMCX adapter cable	
9	345-005-001	Terminator, SMA plug	1 plug



This product is for operation under a general license or license exemption in the following countries only: Austria, Belgium, Denmark, Finland, France, Germany, Greece, Ireland, Luxembourg, The Netherlands, Portugal, Spain, Sweden, United Kingdom, Norway, and Switzerland.

RFID Kit (Gen 2, 915 MHz) (Option)

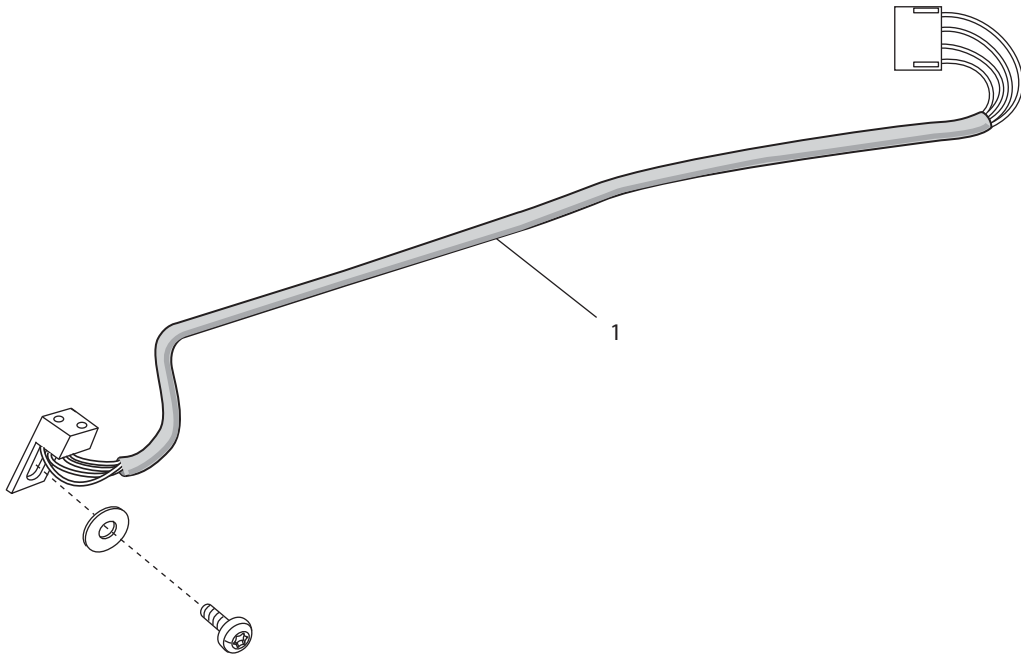


Callout	Part Number	Description	Remarks
1	1-207101-001	RFID kit (Gen 2, 915 MHz)	Complete kit
2	1-975624-20	IM5 power cable	
3	1-971647-90	I/O board	
4	1-975567-01	Dual slot I/O bus cable	
5	1-975623-11	IM5 data cable	
6	IM5A002014	IM5 module 915MHz + terminator	
7	1-207112-900	Antenna (coupler) RFID PM4i assembly	
8	1-974033-020	RSMA to MMCX adapter cable	
9	345-005-001	Terminator, SMA plug	1 plug



This product is for operation under a general license or license exemption in the USA only.

Label Taken Sensor (Option)



Callout	Part Number	Description	Remarks
1	1-206652-80	Label taken sensor kit	Complete kit includes 2 cable clips

Miscellaneous, Not Illustrated

Part Number	RoHS Part Number	Description	Remarks
1-975571-20		Power cord UL/CSA	U.S.A., Canada
1-975571-30		Power cord	U.K., Ireland
1-975571-10		Power cord	European standard
1-975571-00		Power cord	Australia, New Zealand
1-975583-18	1-974022-018	Parallel interface cable	
1-091122-06		Serial interface cable RS-232	
1-206368-03		Cable assembly	Power Supply/CPU board to printhead
1-110501-00		Cleaning card 25-pack	
		CompactFlash memory card (various sizes)	Refer to Spare Parts List
		Font card (various font collections)	Refer to Spare Parts List
1-010590-90		Configuration kit for external keyboard	Includes PC cable, PC software, manual, and clear & blind keytops



Worldwide Headquarters
6001 36th Avenue West
Everett, Washington 98203
U.S.A.

tel 425.348.2600

fax 425.355.9551

www.intermec.com

EasyCoder PM4i Printer Spare Parts Catalog



P/N 1-960607-05