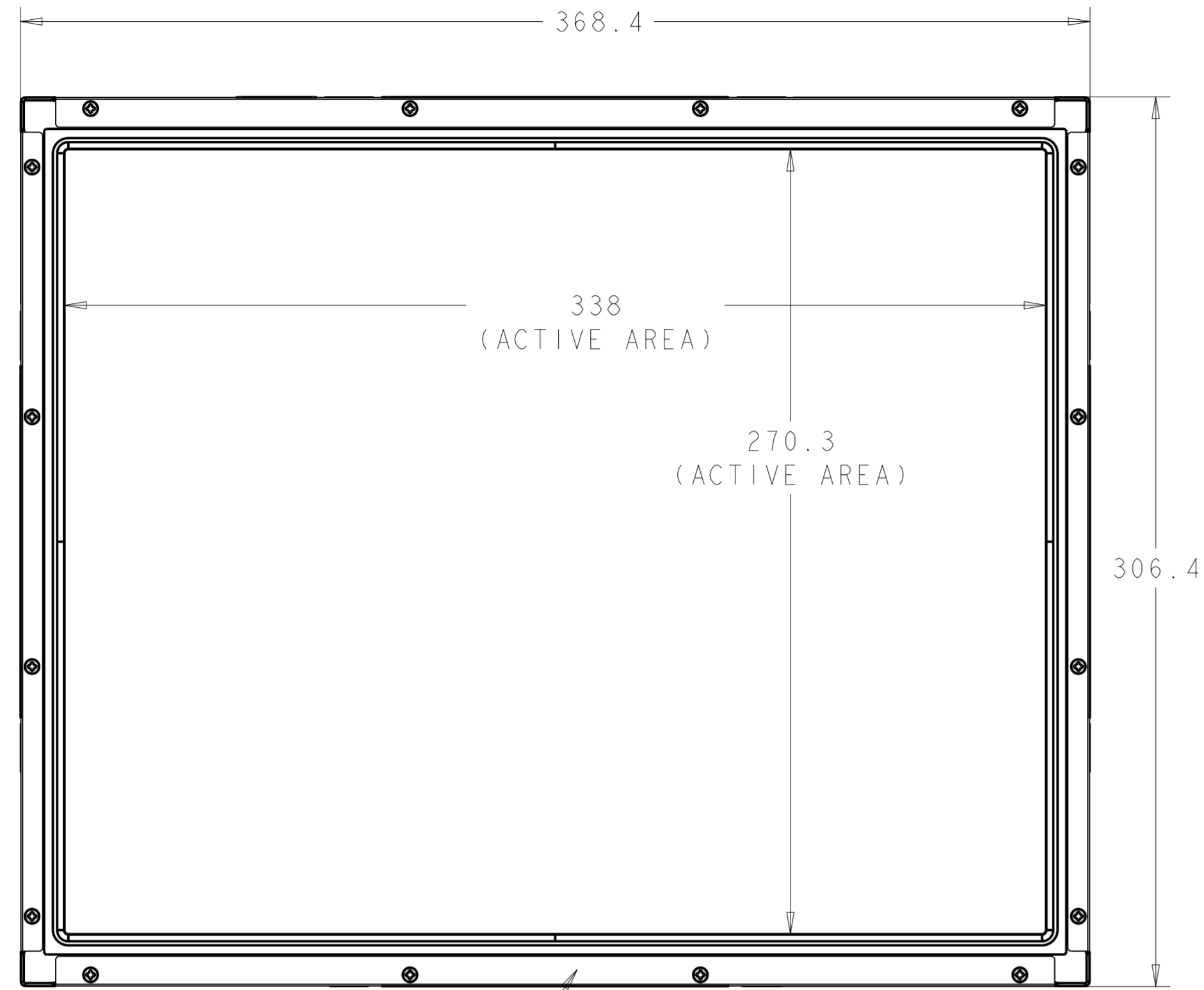
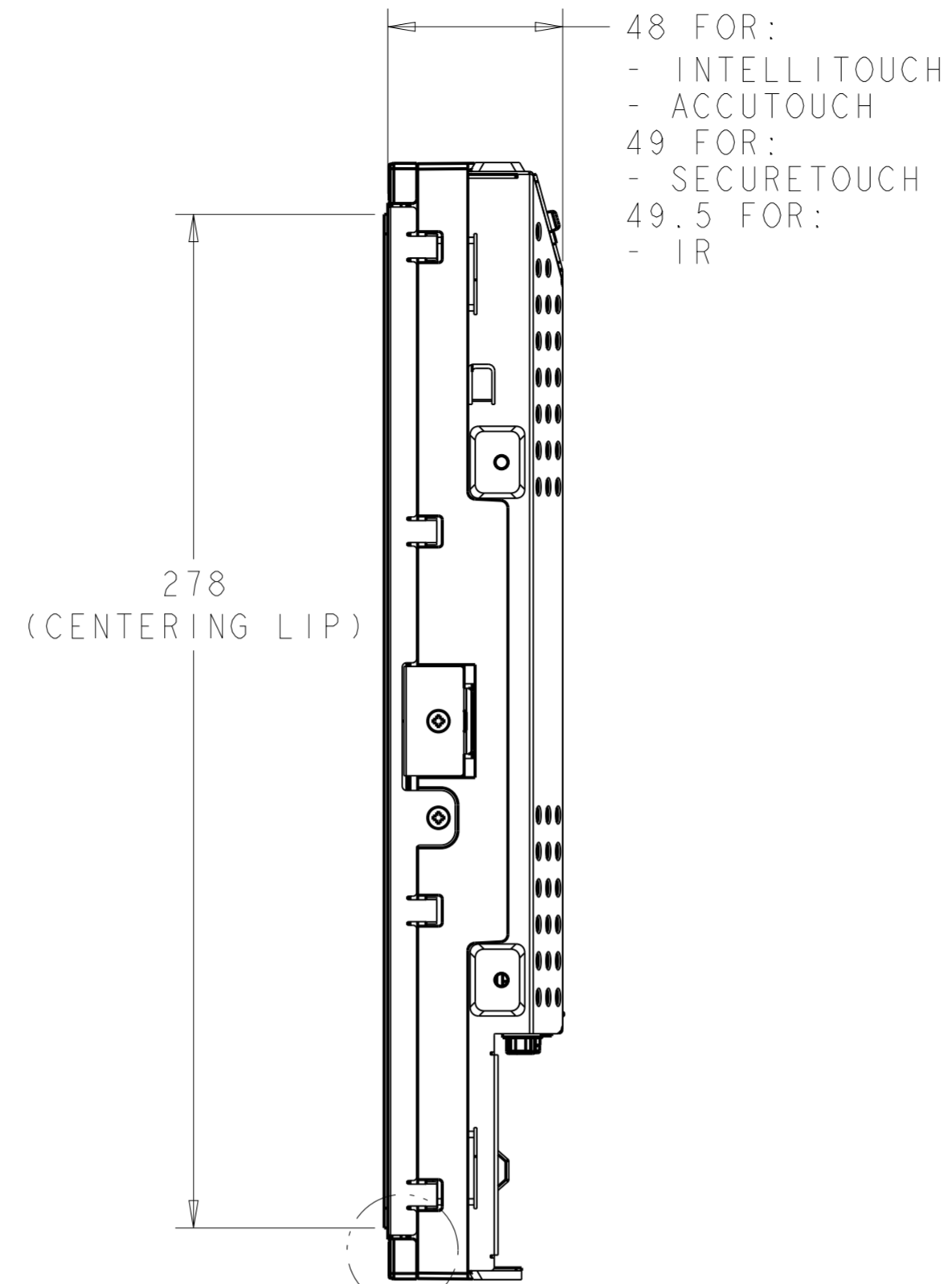


NOTES:  
 1. ALL DIMENSIONS +/- 1.0MM UNLESS NOTED  
 2. DIMENSIONS SHOWN ARE FOR ALL TOUCH TECHNOLOGIES UNLESS NOTED.

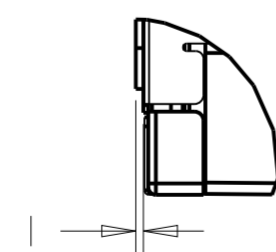


BEZEL WITH WIPER BLADE SEAL

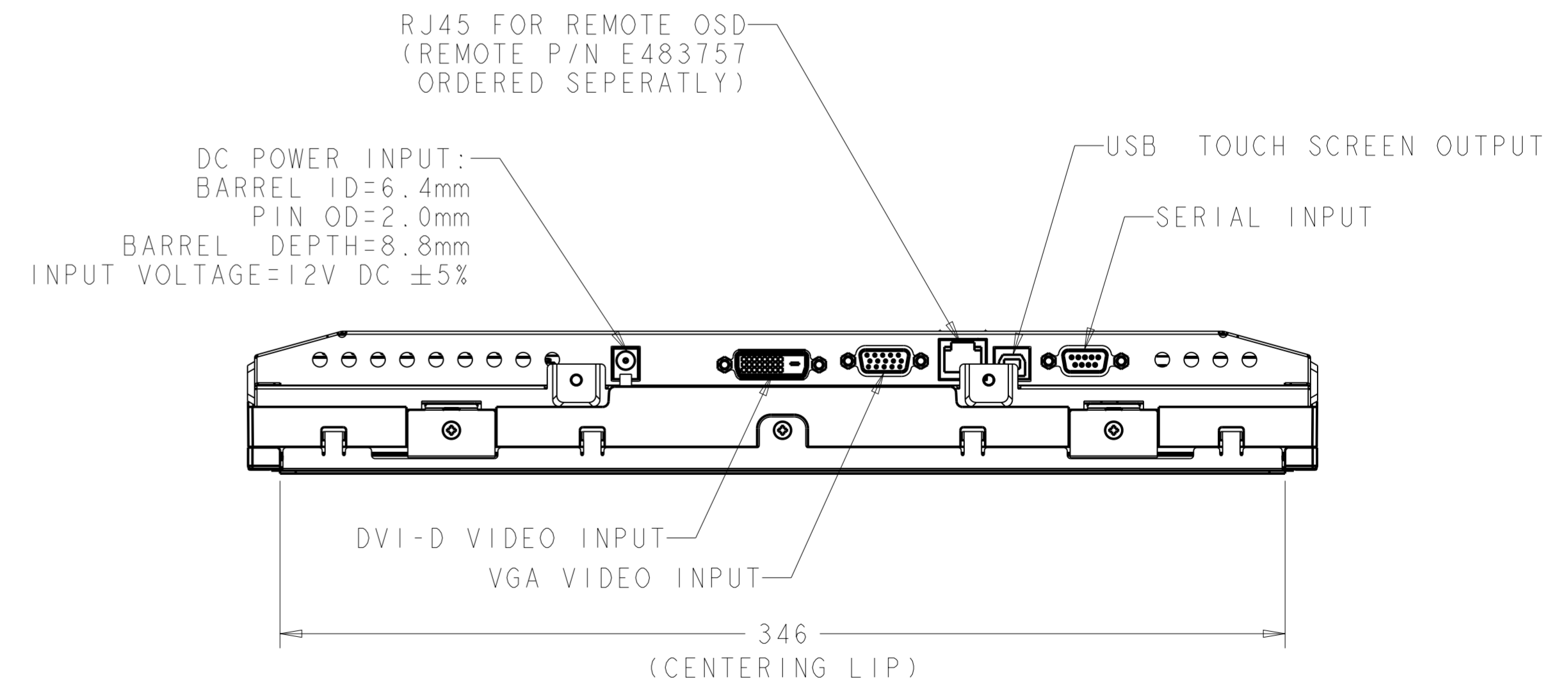
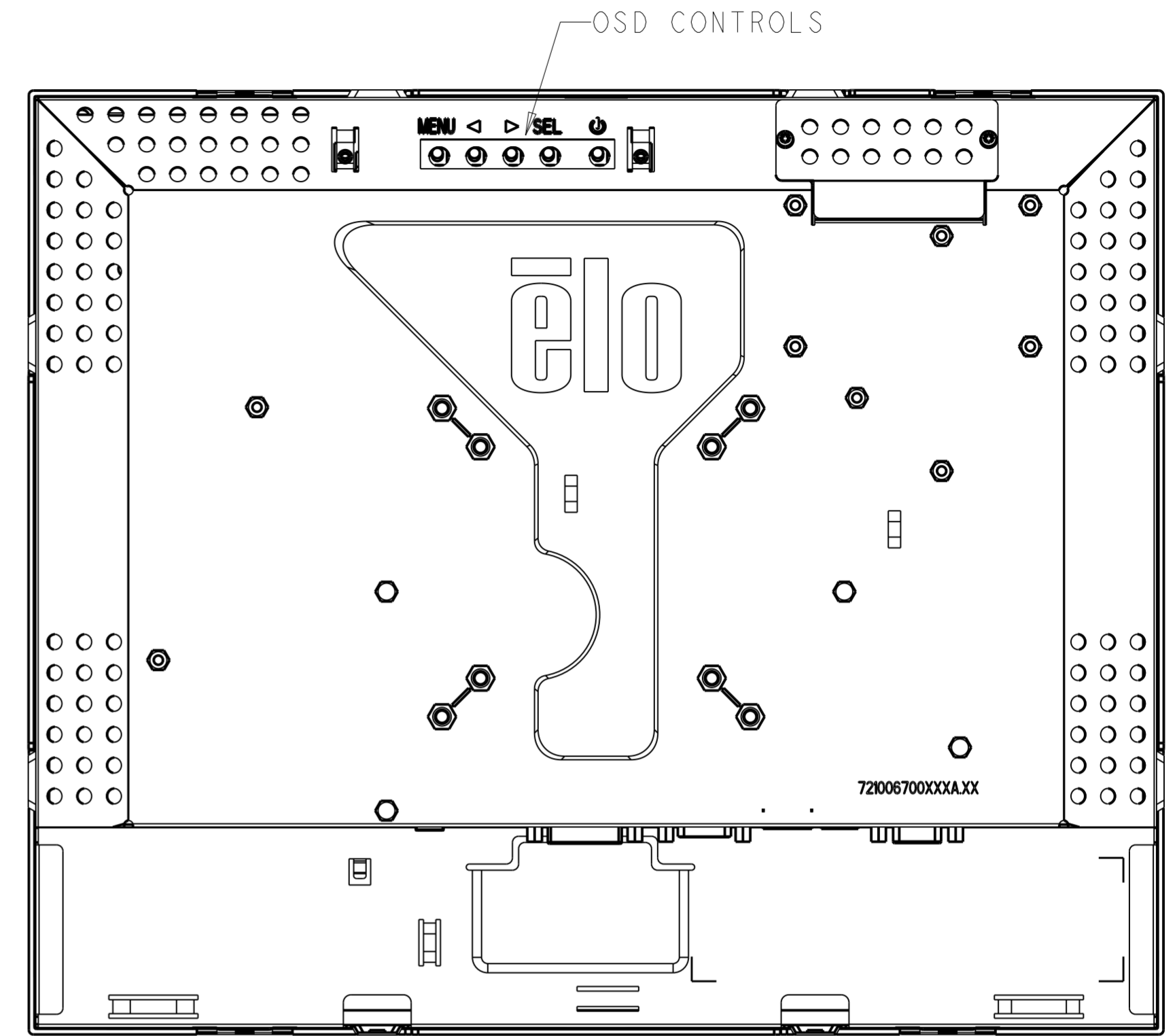


- 48 FOR:
- INTELLITOUCH
- ACCUTOUCH
- 49 FOR:
- SECURETOUCH
- 49.5 FOR:
- IR

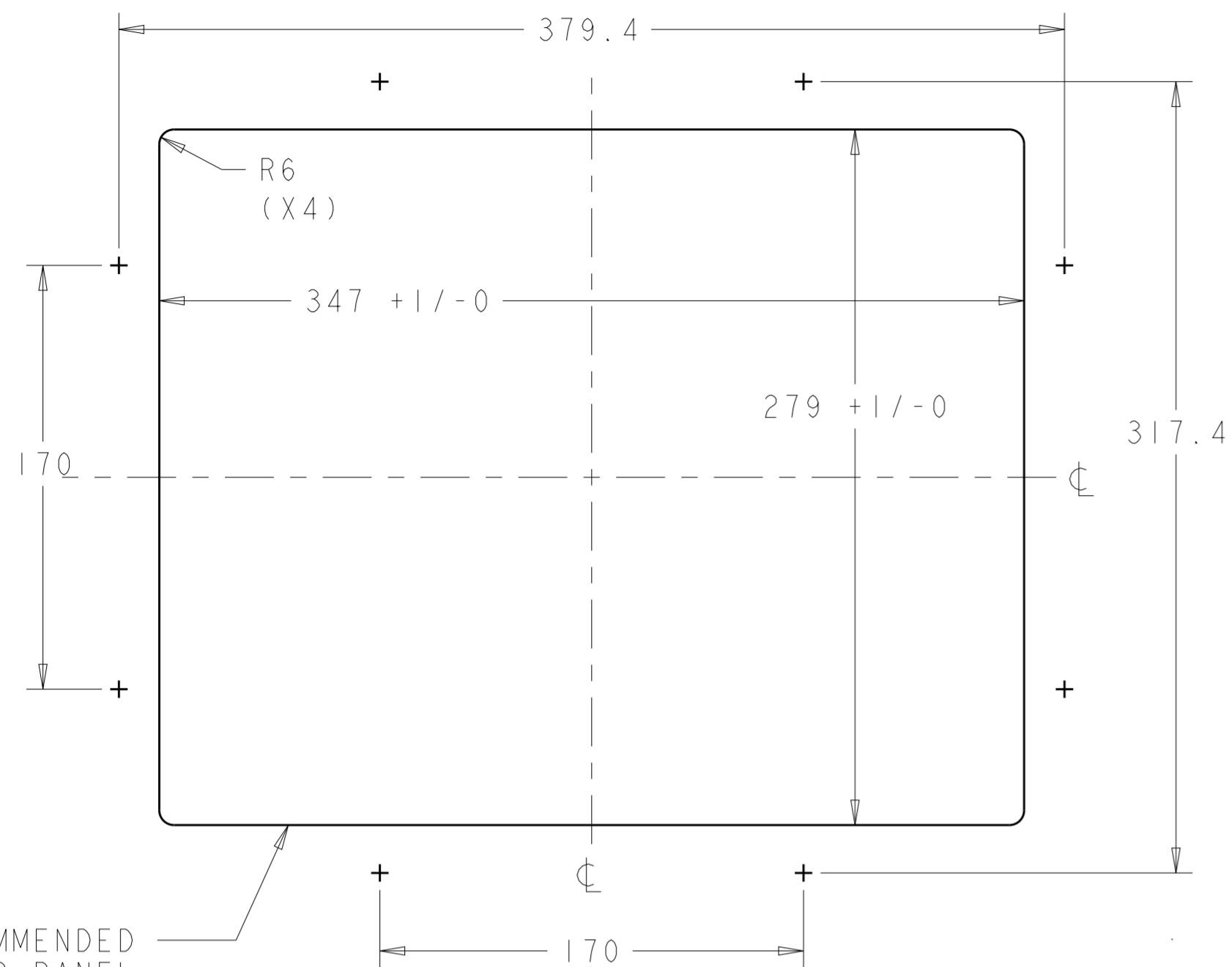
SEE DETAIL A



DETAIL A  
 CENTERING LIP  
 TYP.  
 SCALE 1:1



**RECOMMENDED CUSTOMER  
PANEL CUT-OUT** (SEE NOTE A)



RECOMMENDED  
CUSTOMER PANEL  
CUT-OUT

MOUNTING BRACKET ADJUSTMENT RANGE

NOTE A  
CUSTOMER PANEL MATERIAL:

1. WOOD:  $\varnothing$ 4.5 HOLES THRU  
FOR M4 SCREWS W/NUTS,  
OR, NO THRU HOLES, SCREWS  
FOR WOOD  $\varnothing$ 4mm,

2. SHEET METAL: CONCEALED HEAD  
THREADED STUDS M4 W/NUTS.

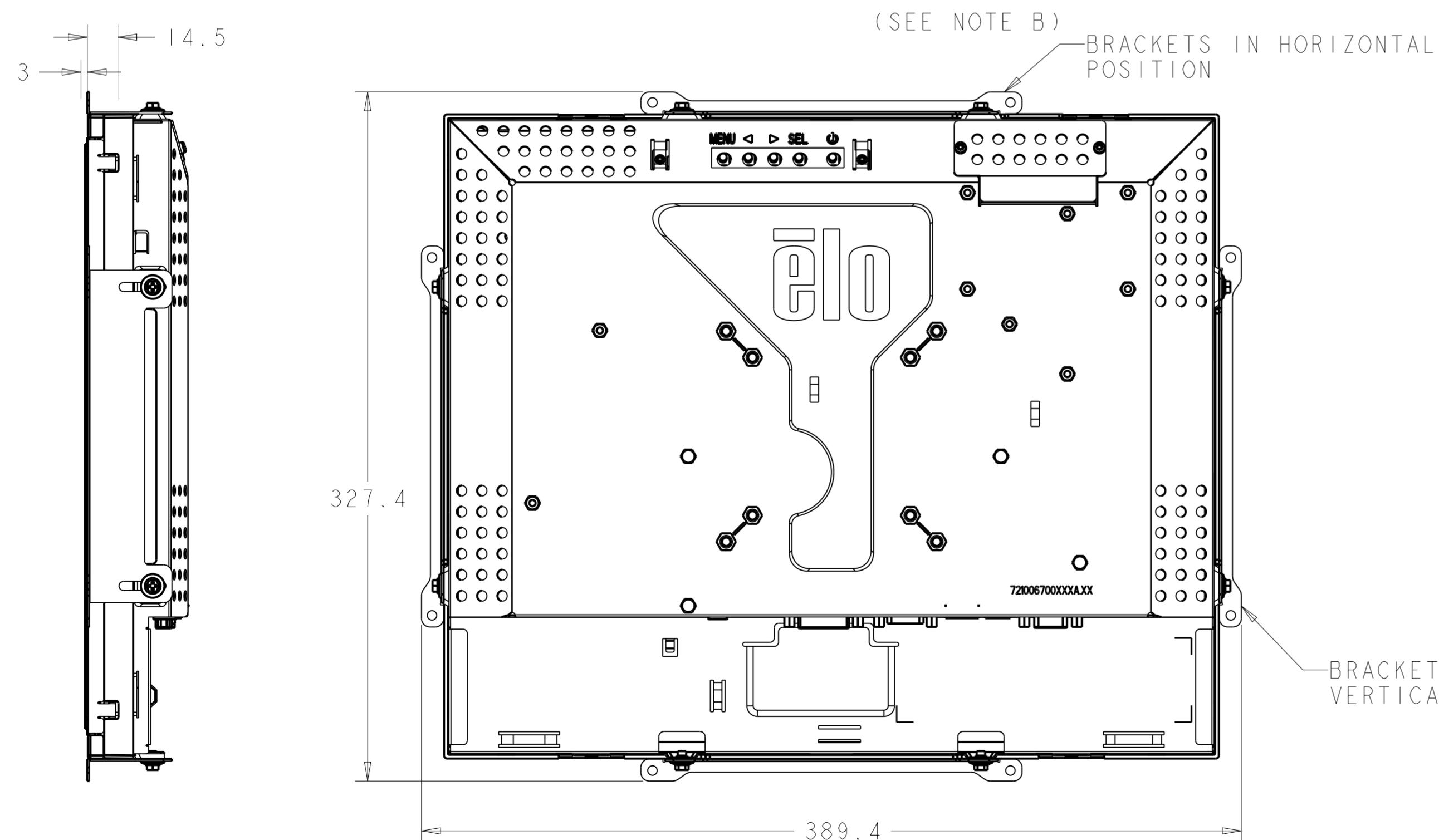
NOTE B

MONITOR INCLUDES 2 BRACKETS,  
ADDITIONAL BRACKETS AVAILABLE,  
P/N EI47211

NOTE C

49 mm = SECURE TOUCH  
49.3mm = IR

**REAR MOUNT WITH BRACKETS,  
HORIZONTAL OR VERTICAL**

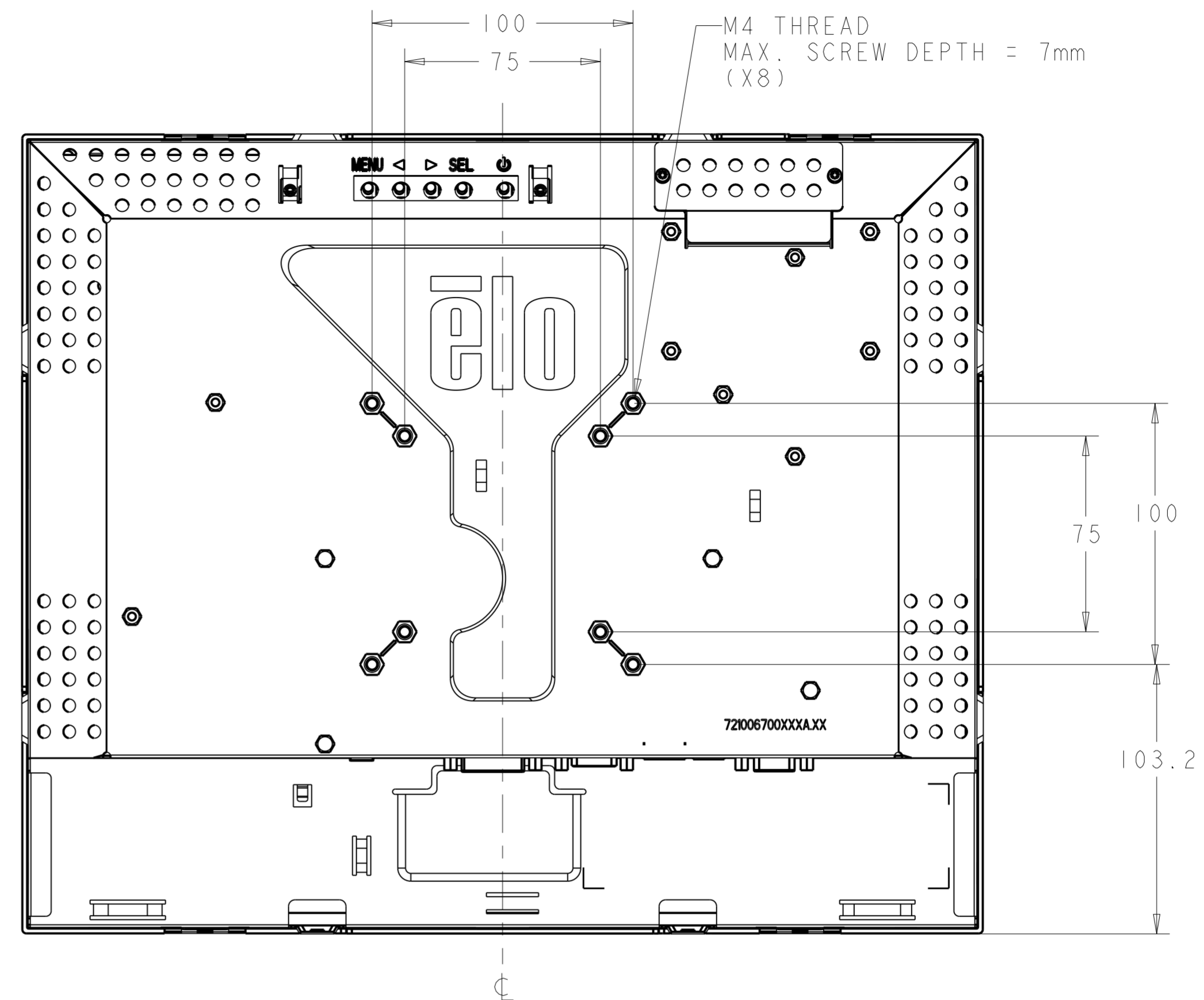


(SEE NOTE B)

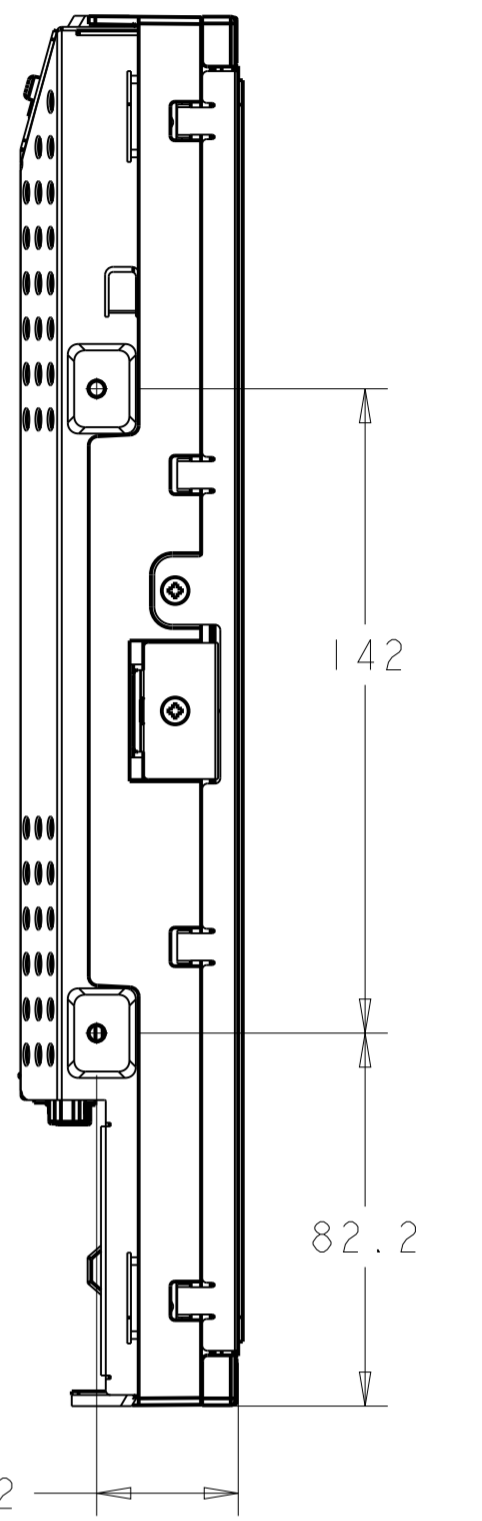
BRACKETS IN HORIZONTAL  
POSITION

BRACKETS IN  
VERTICAL POSITION

**VESA MOUNT**

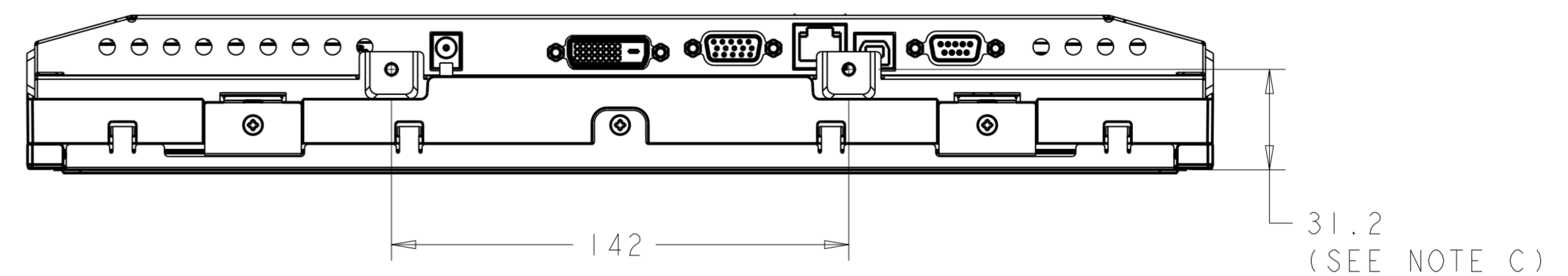


**SIDE MOUNT,  
VERTICAL**



31.2  
(SEE NOTE C)

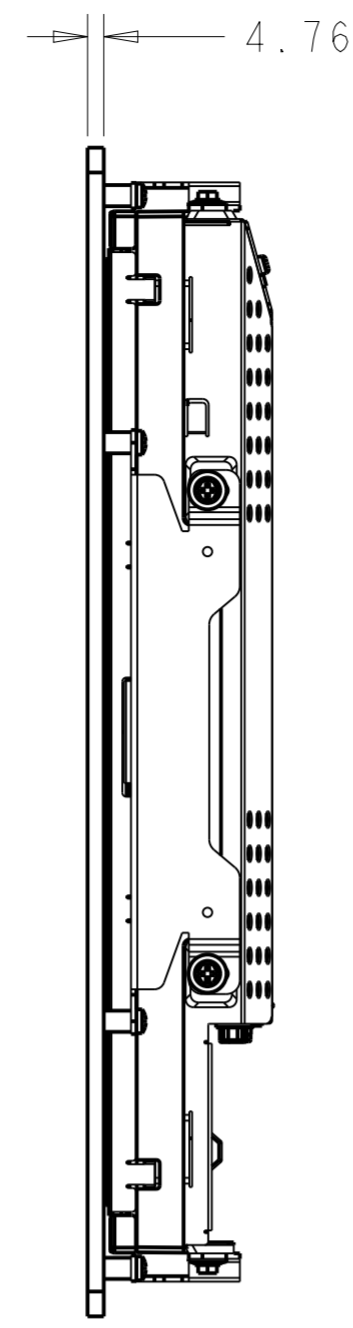
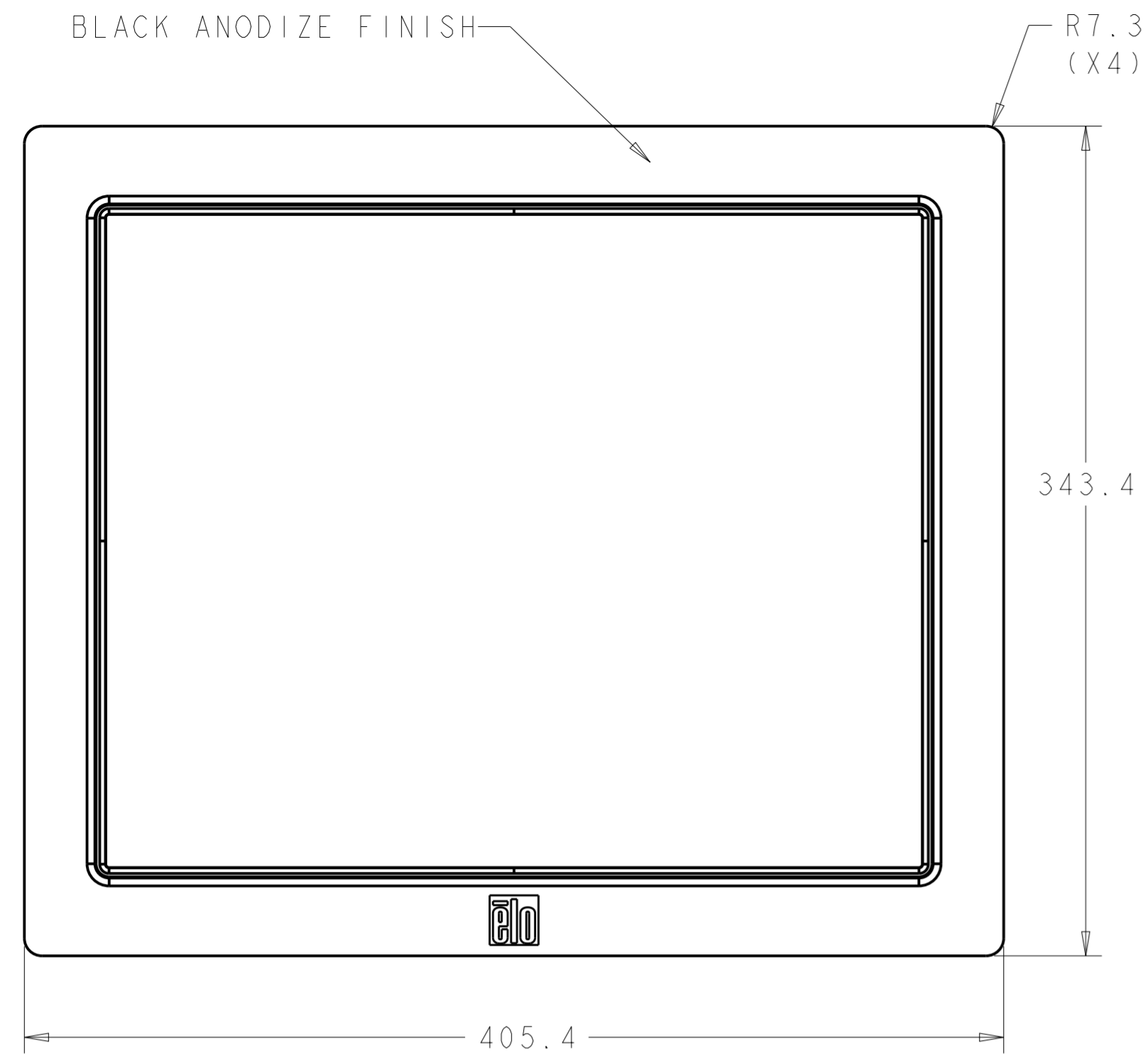
**SIDE MOUNT,  
HORIZONTAL**



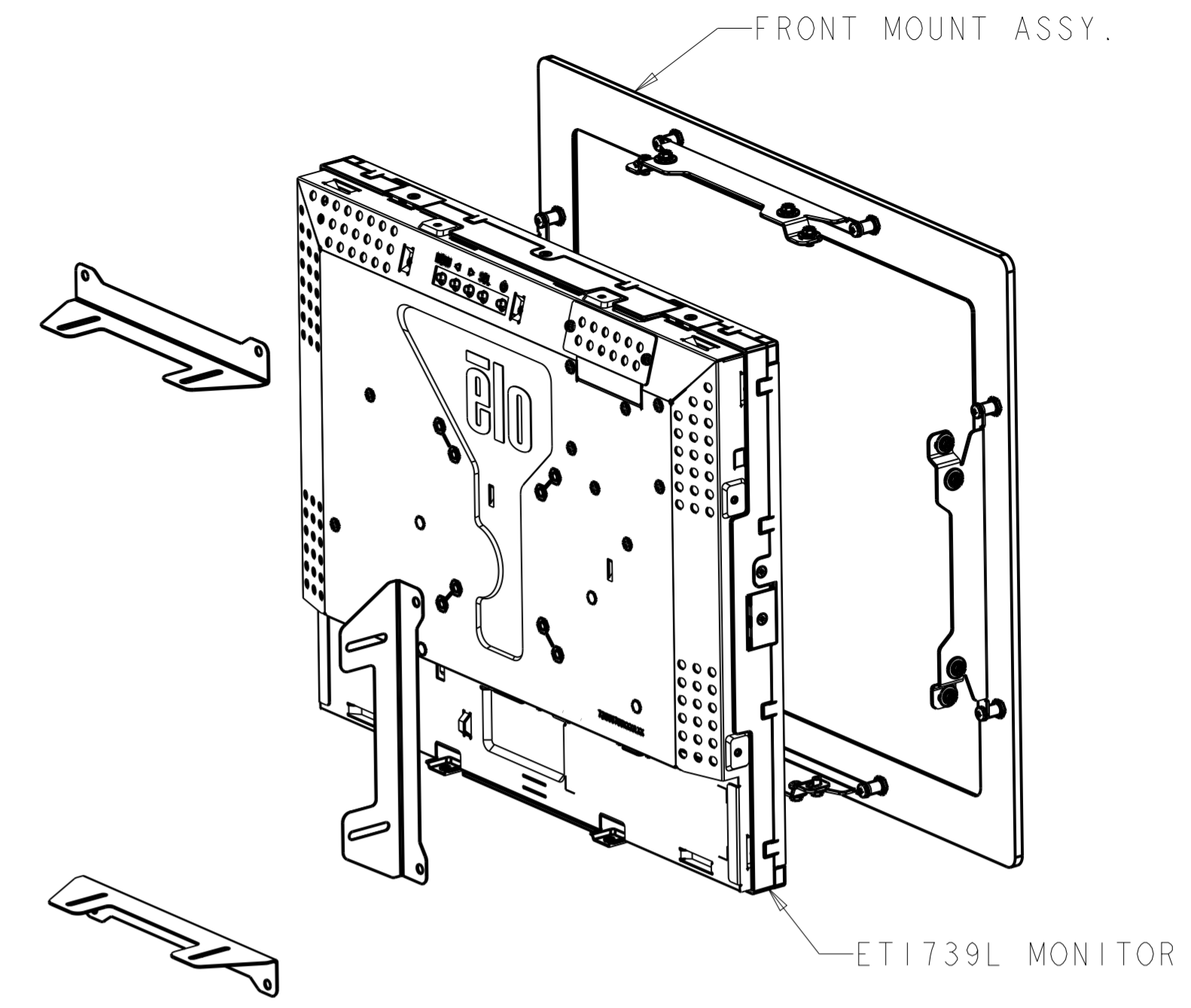
31.2  
(SEE NOTE C)

**FRONT MOUNT OPTION**  
**P/N E860319**

(ORDERED SEPERATLY, CUSTOMER ASSEMBLED)

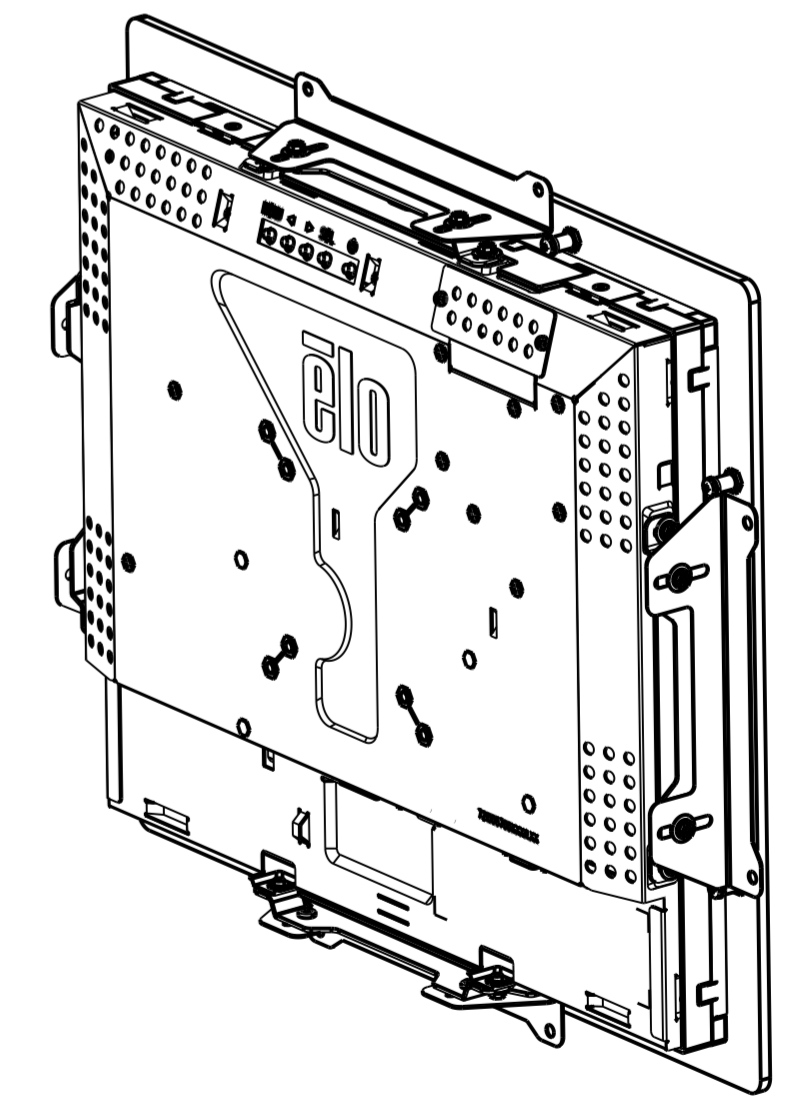
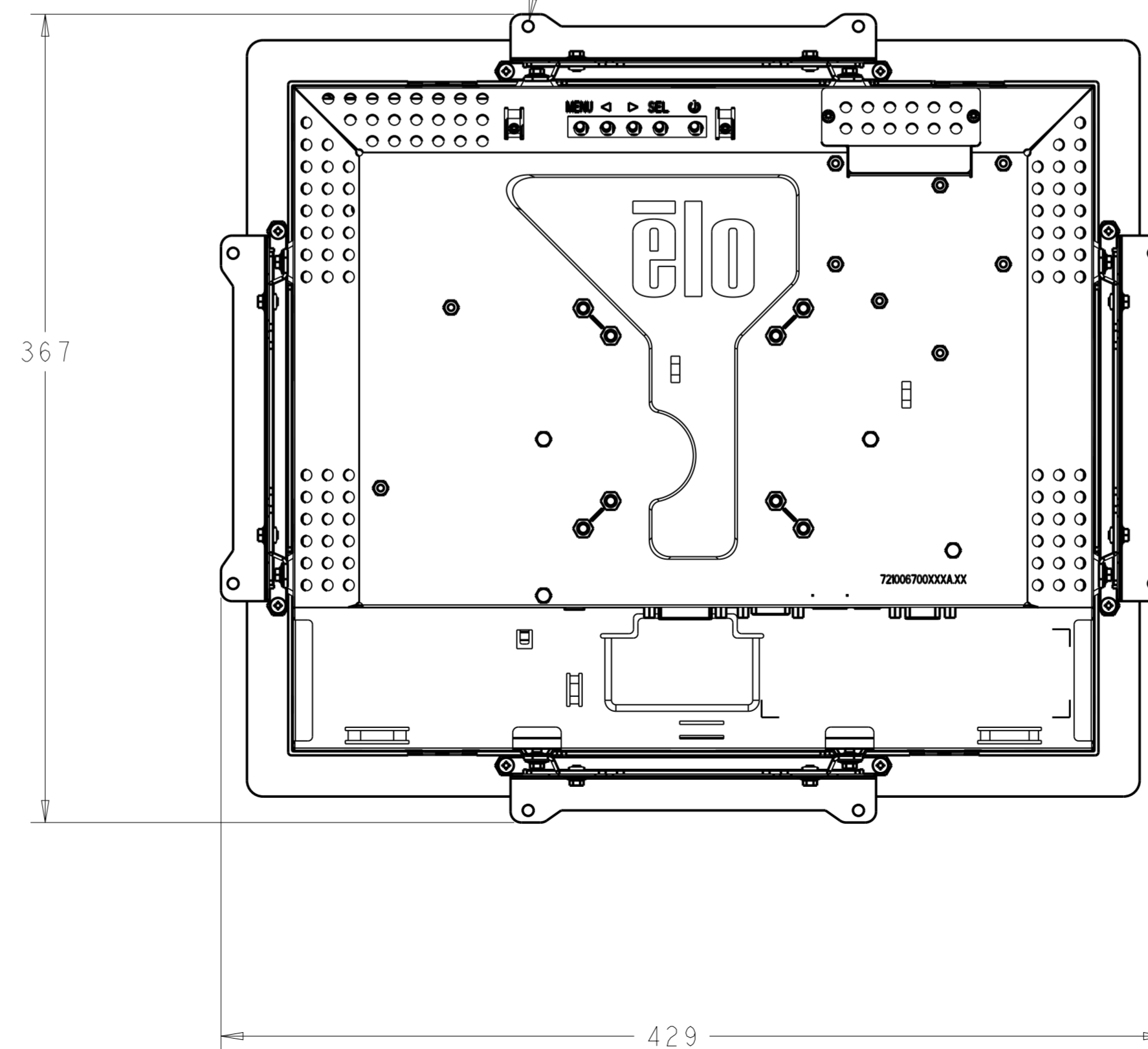
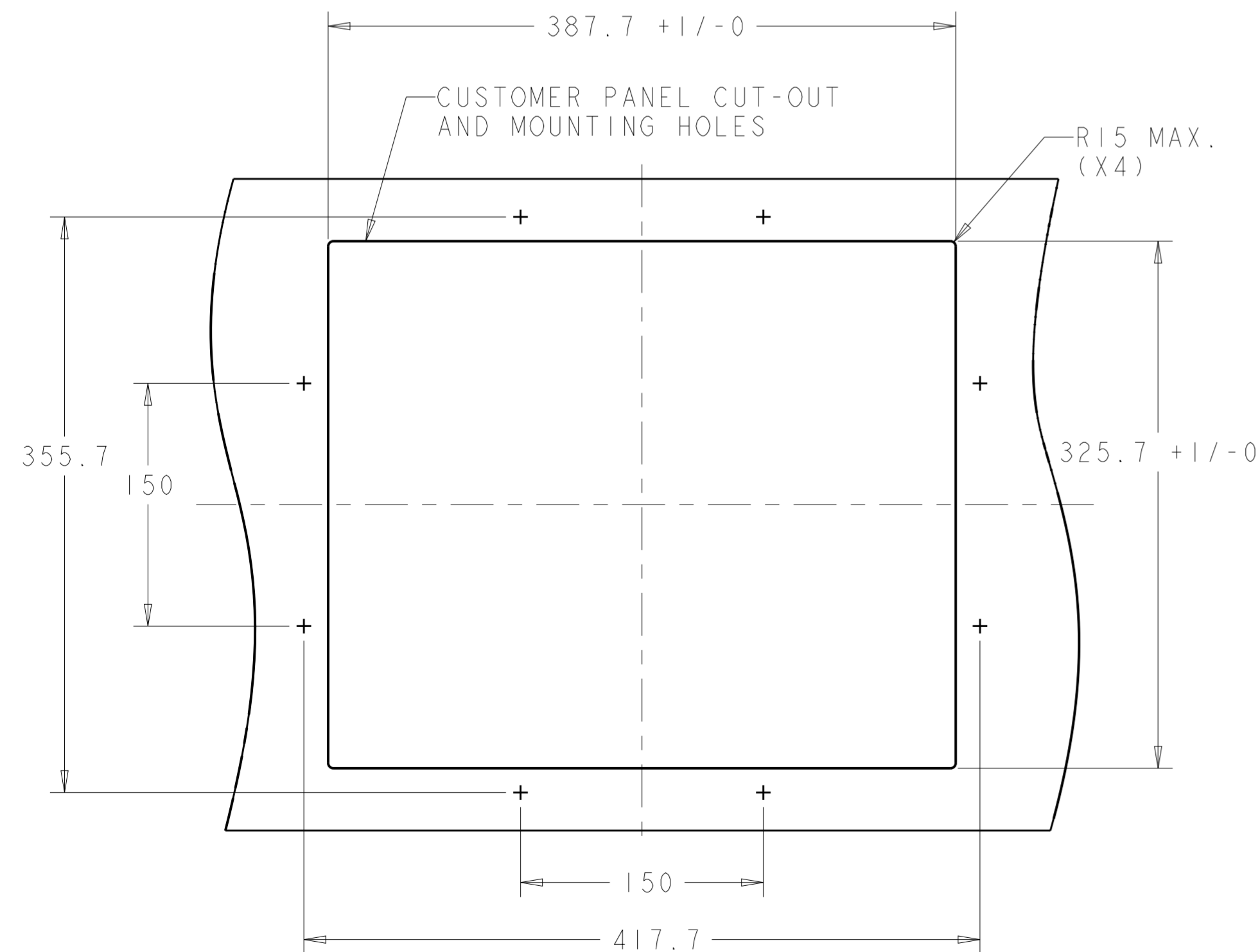


FRONT MOUNT BRACKETS (4)  
 (INCLUDED WITH FRONT MOUNT ASSY.)



CUSTOMER PANEL;  
 FRONT MOUNT BRACKETS ACCOMMODATE  
 MAX. 14mm MATERIAL THICKNESS.

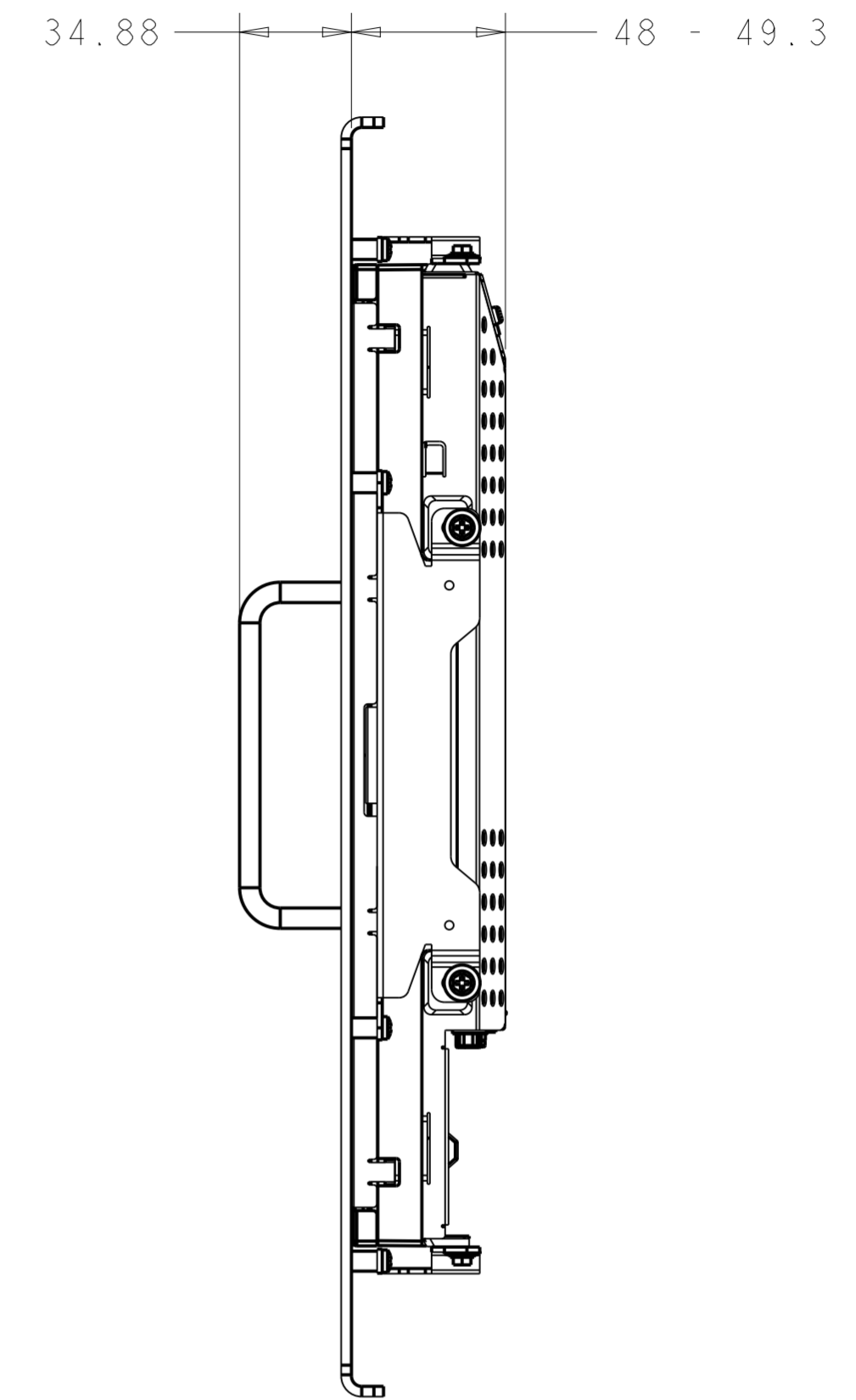
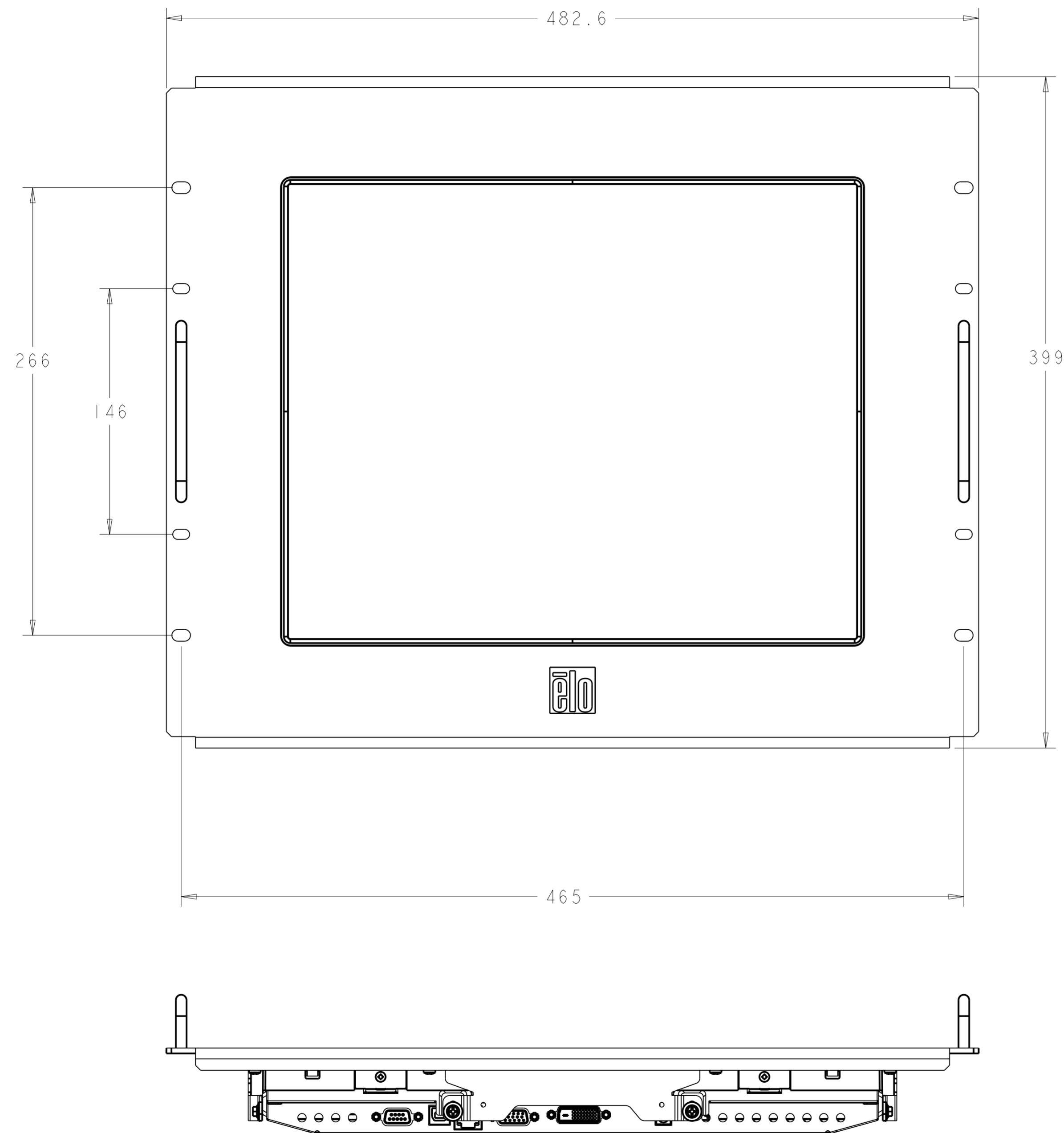
- NOTE:  
 (X8) 1. IF CUSTOMER PANEL MATERIAL IS WOOD:  
 Ø4.5mm HOLES THRU FOR M4 SCREWS,  
 OR NO THRU HOLES, SCREWS FOR WOOD Ø4mm.
2. IF CUSTOMER PANEL MATERIAL IS SHEET METAL:  
 CONCEALED HEAD THREADED STUDS M4 WITH NUTS.



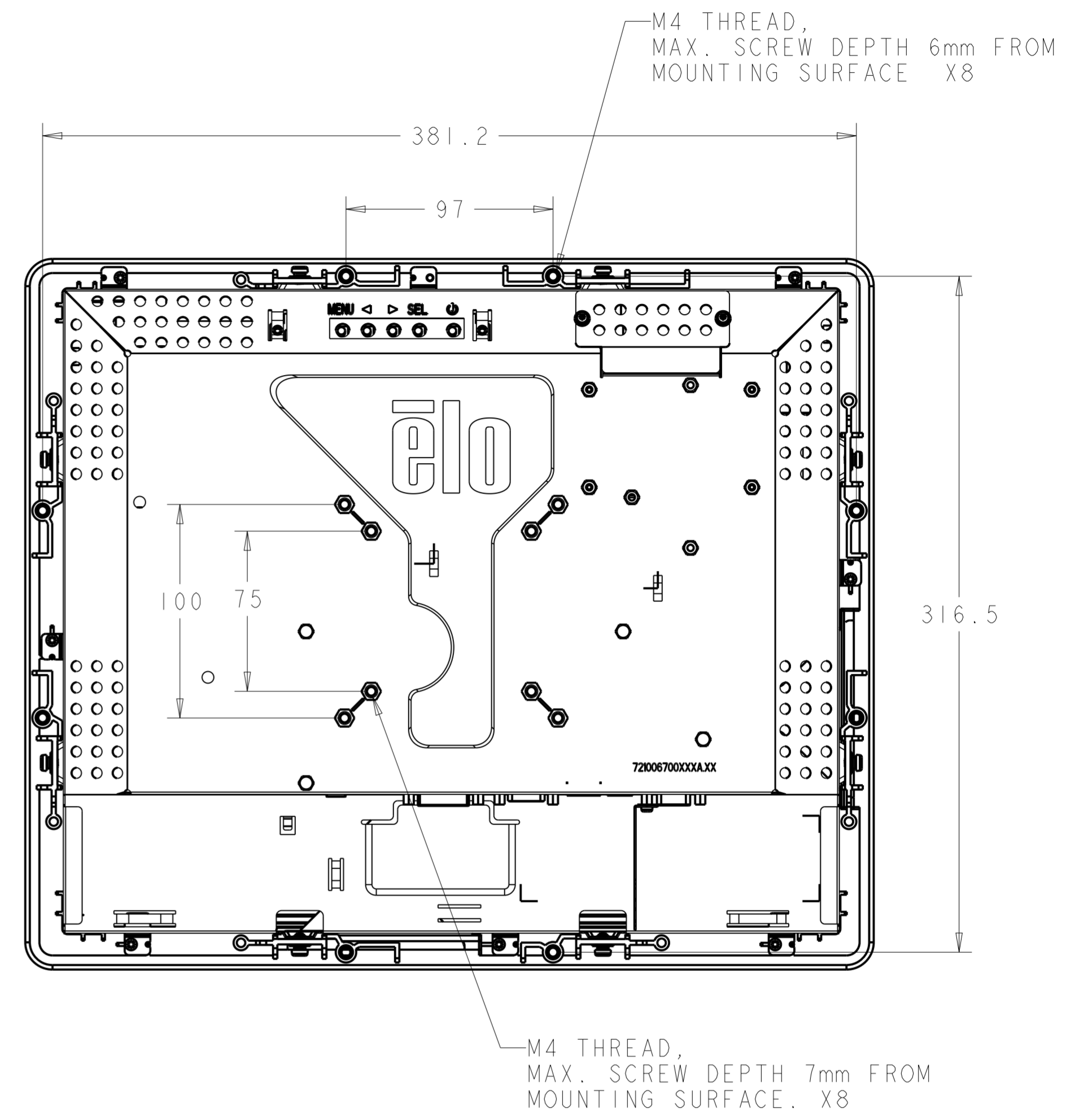
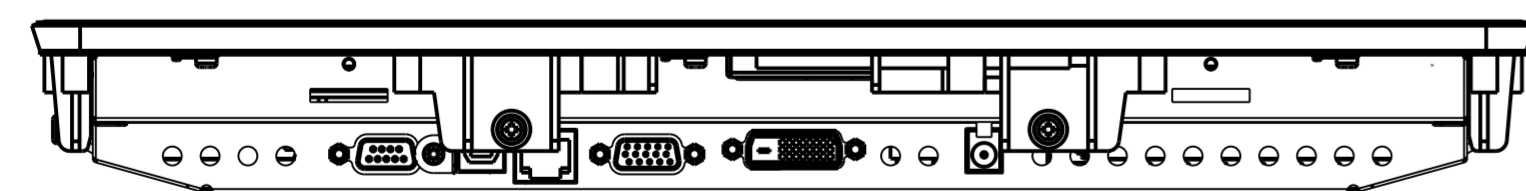
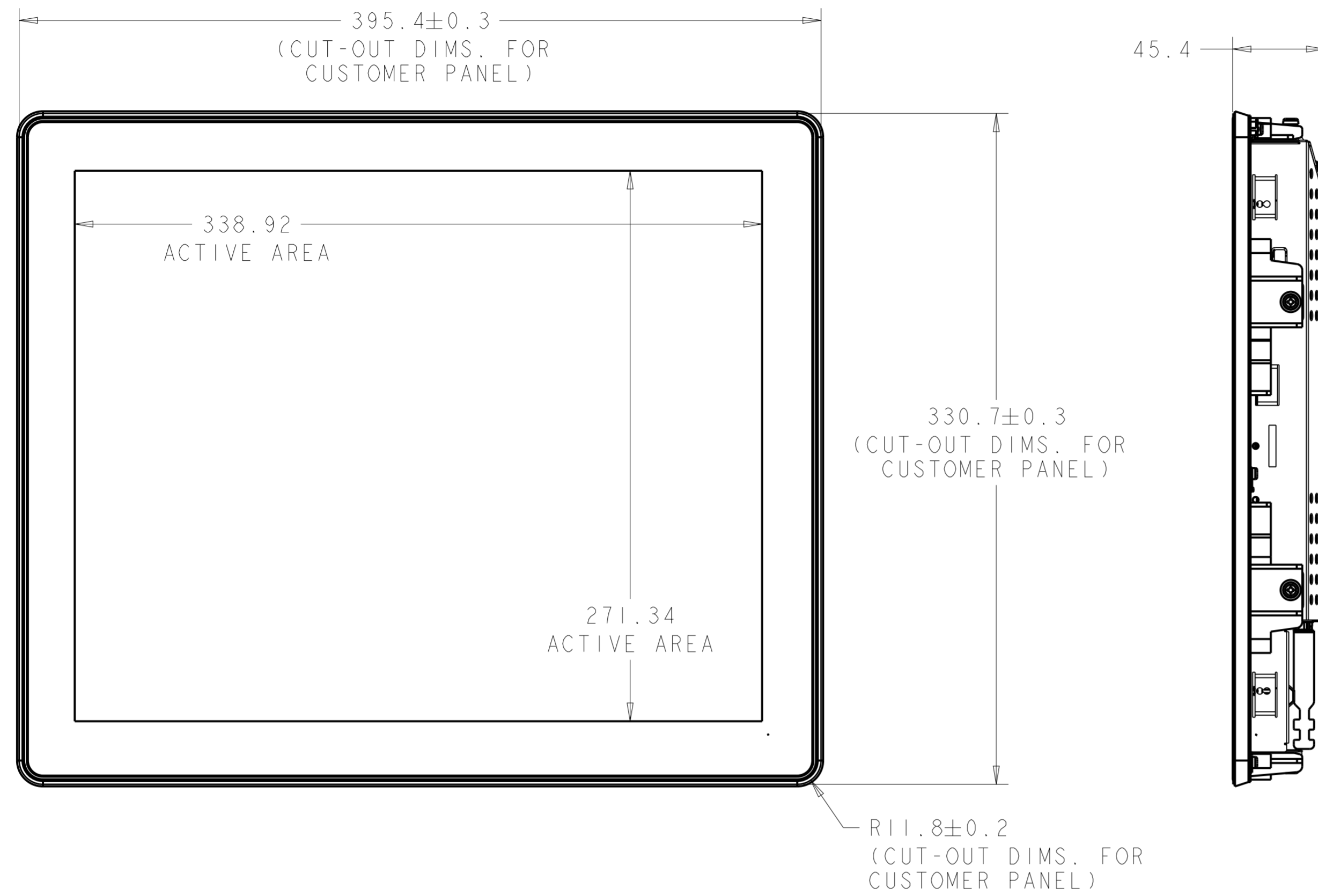
**RACK MOUNT OPTION**

**P/N E939253**

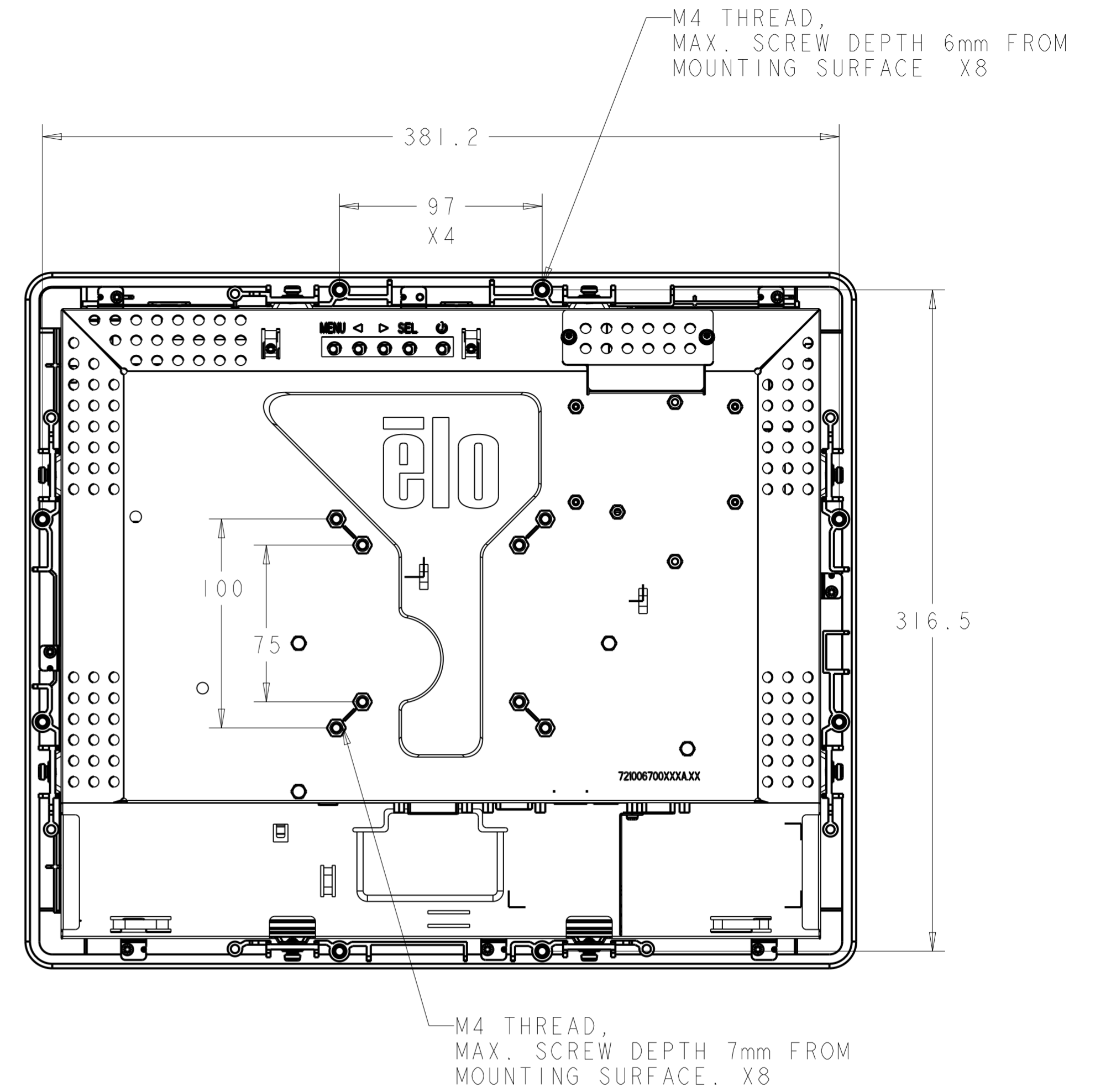
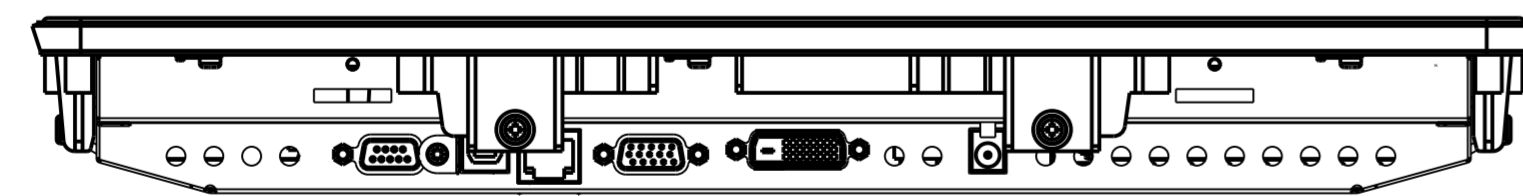
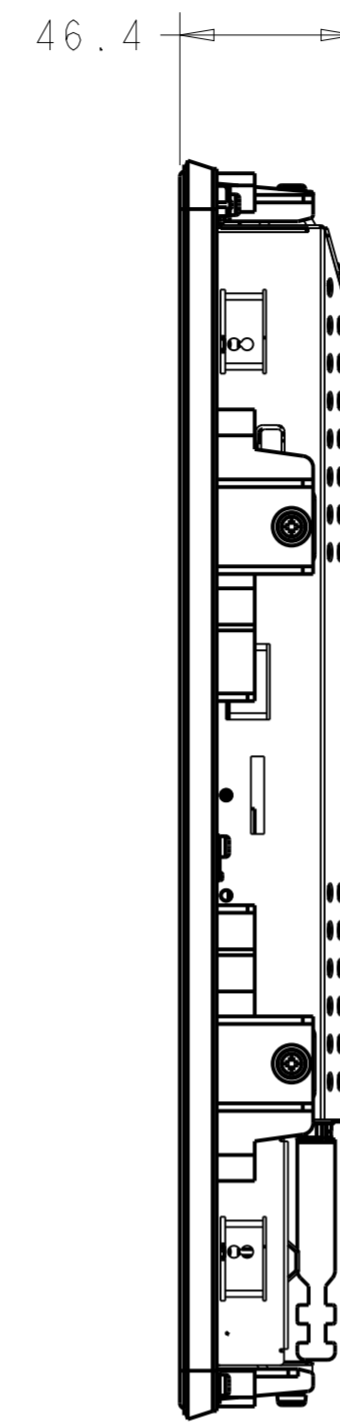
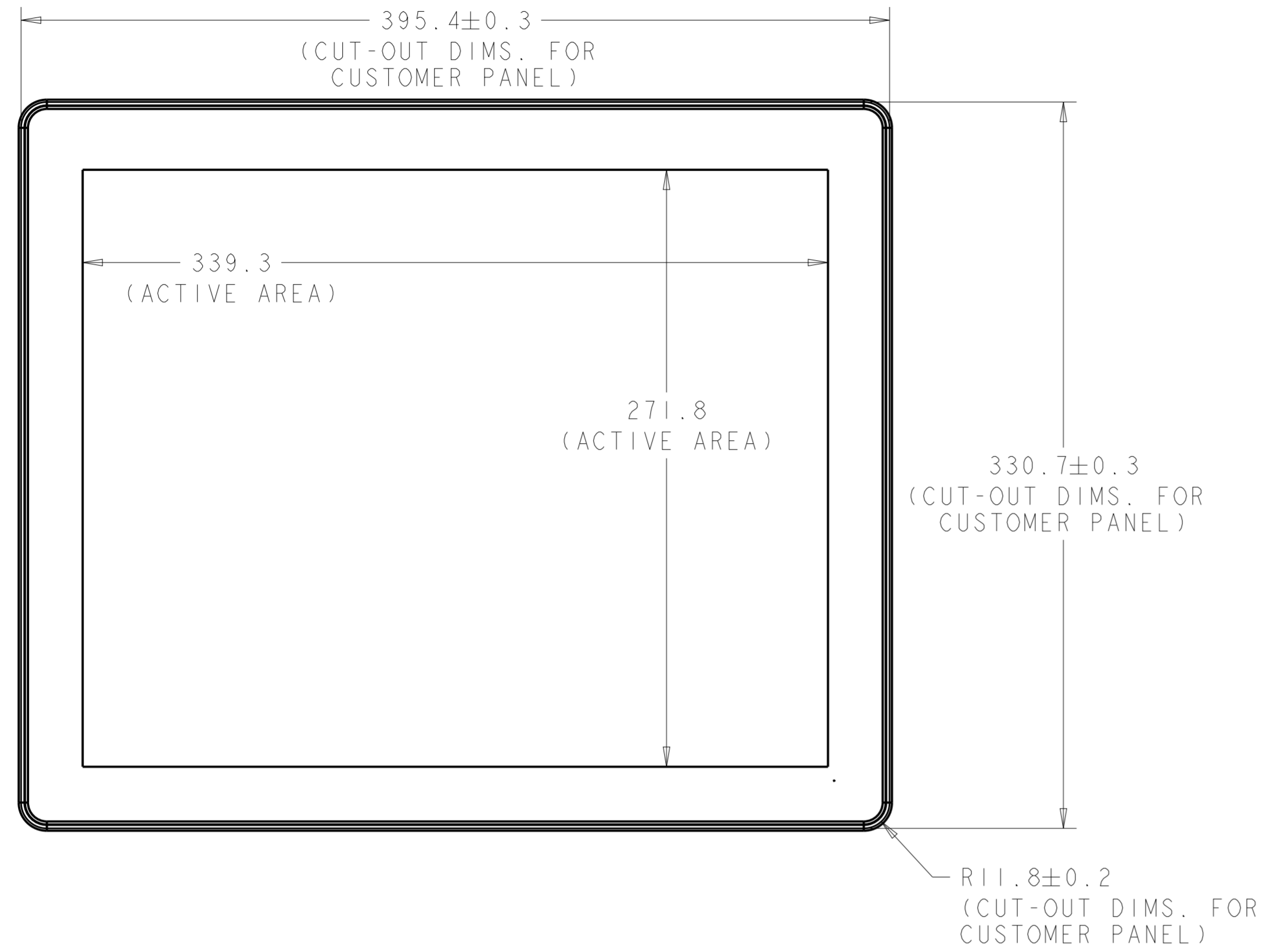
(ORDERED SEPERATLY, CUSTOMER ASSEMBLED)



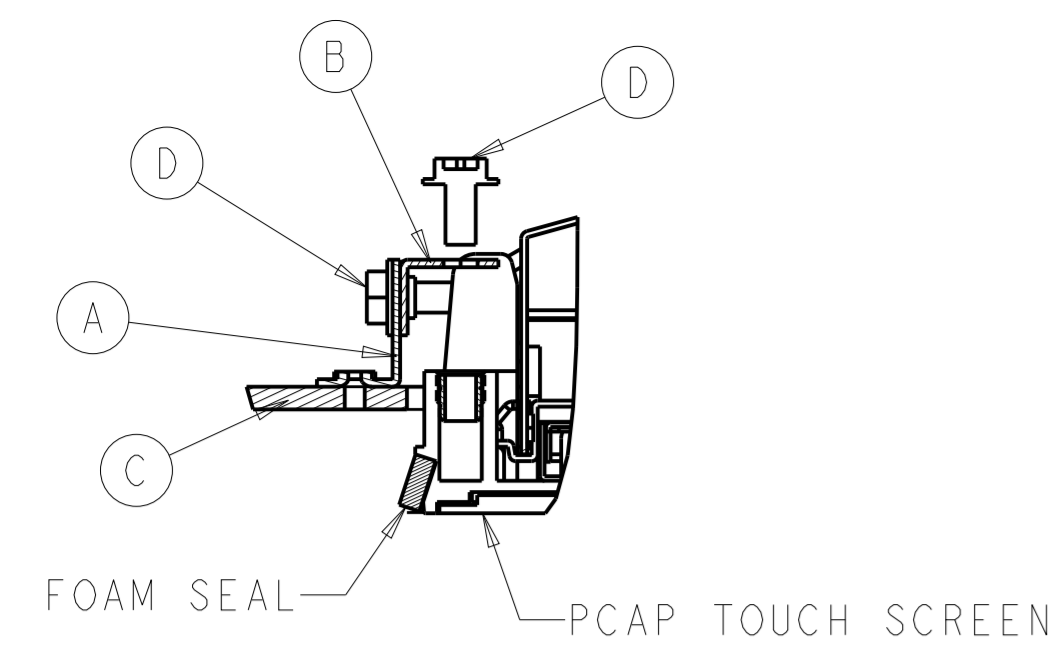
PROJECTED CAPACITIVE MODELS ONLY



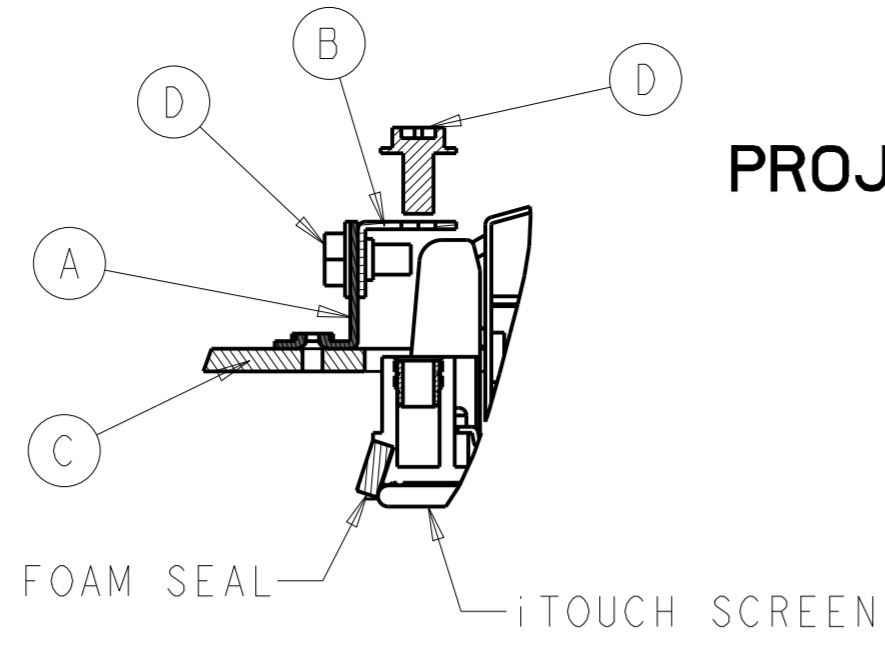
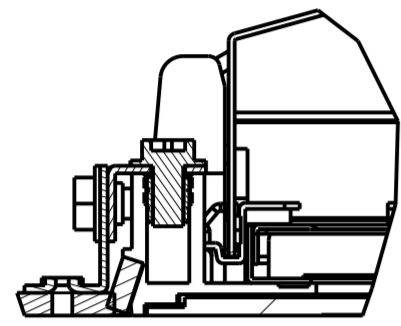
1739 iTouch/ No Touch Open-Frame ZB



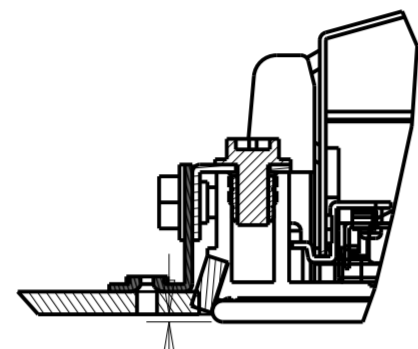
**PROJECTED CAPACITIVE/iTOUCH/NO TOUCH ZB MODELS  
FLUSH MOUNTING  
P/N E129564**



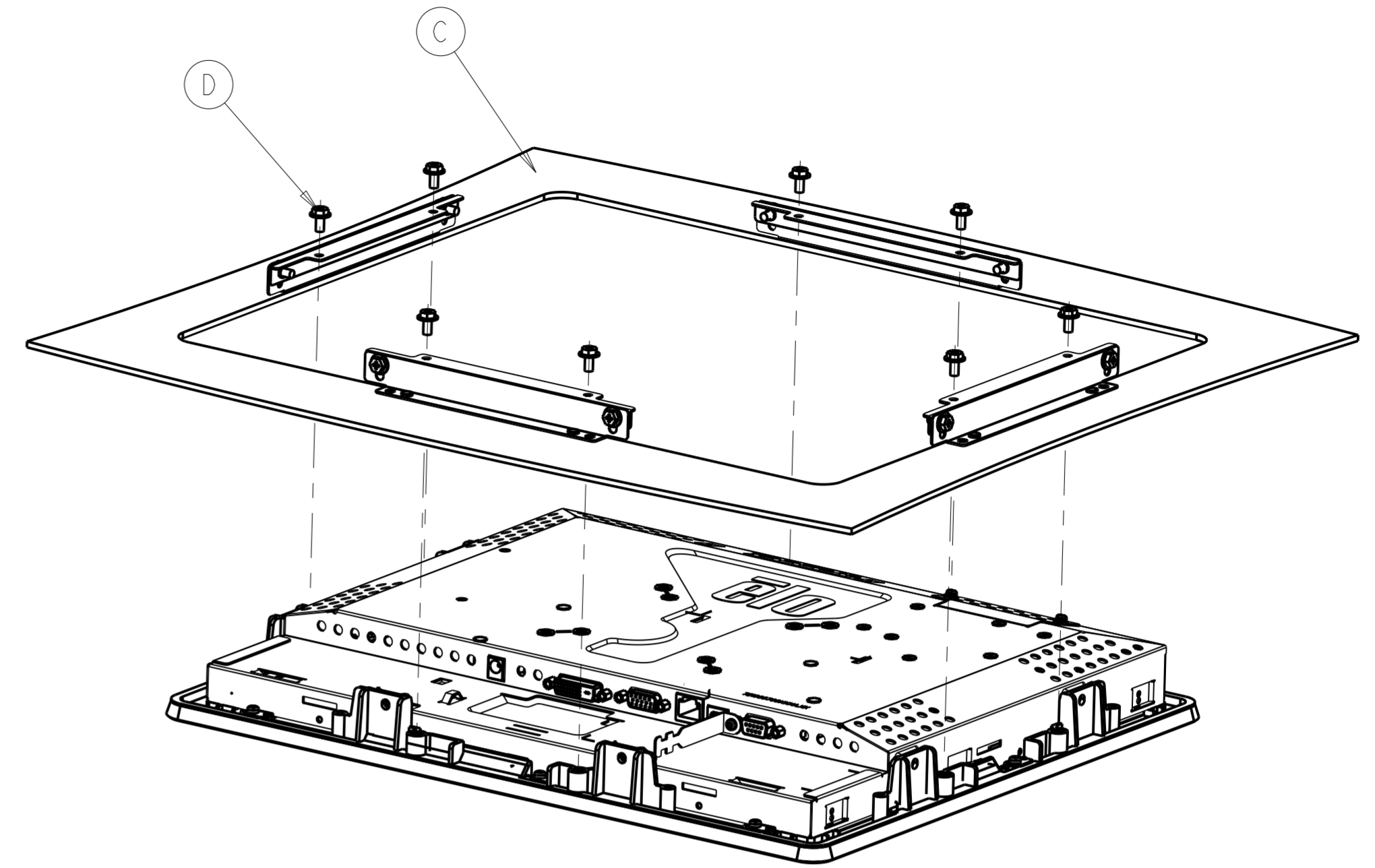
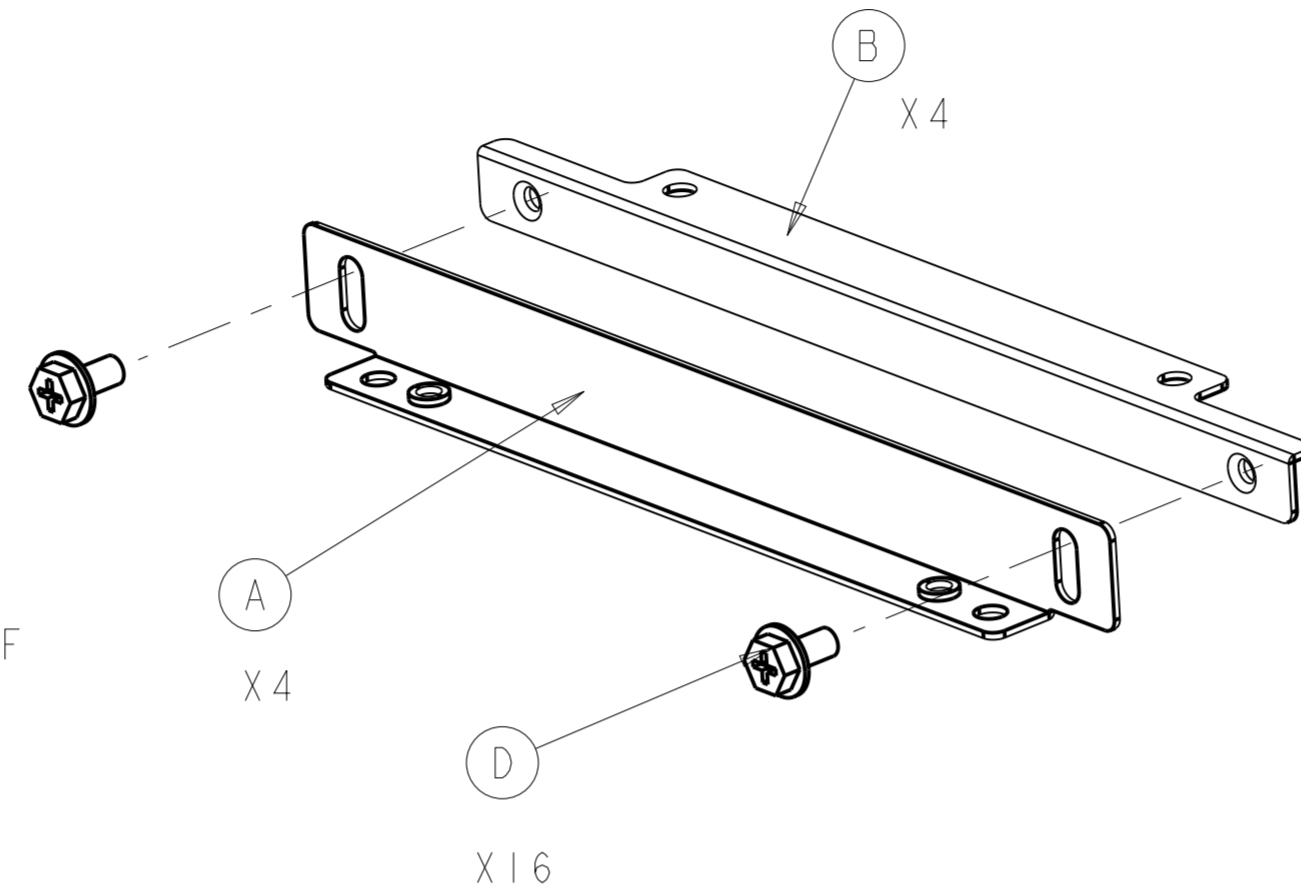
SECTION B-B  
SCALE 1:1



SECTION A-A  
SCALE 1:1



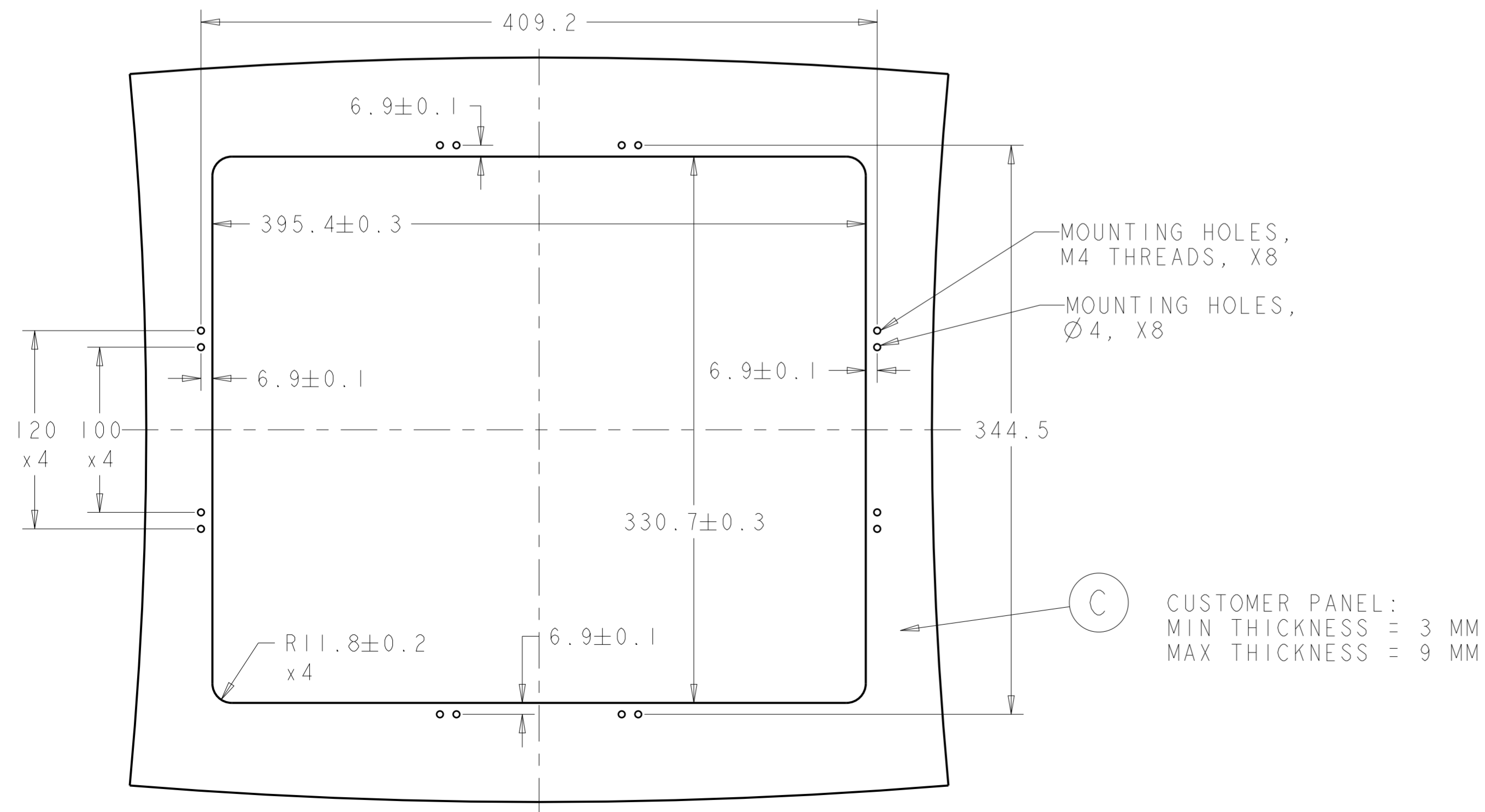
(RECOMMENDED OFFSET OF TOUCH SCREEN SURFACE)



**FLUSH MOUNT INSTALLATION NOTES:**

1. ATTACH BRACKET "A" TO CUSTOMER PANEL "C" PER DRAWING
2. ATTACH BRACKET "B" TO BRACKET "A" WITH M4 SCREWS "D" (INCLUDED)
3. PLACE TOUCH MONITOR INTO CUSTOMER PANEL OPENING, TAKING CARE NOT TO DAMAGE FOAM SEAL
4. ADJUST DEPTH OF BRACKETS "B" SO MONITOR IS FLUSH WITH CUSTOMER PANEL FOR PCAP, SLIGHTLY PROUND OF CUSTOMER PANEL ABOUT IMM FOR ITOUCH
5. SECURE TOUCH MONITOR TO BRACKET "B" FROM BEHIND WITH M4 SCREWS "D" (INCLUDED)

**RECOMMENDED CUSTOMER PANEL CUT-OUT**



CUSTOMER PANEL:  
MIN THICKNESS = 3 MM  
MAX THICKNESS = 9 MM

