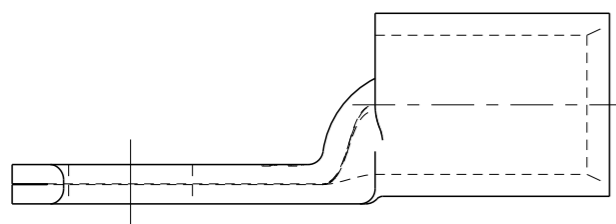
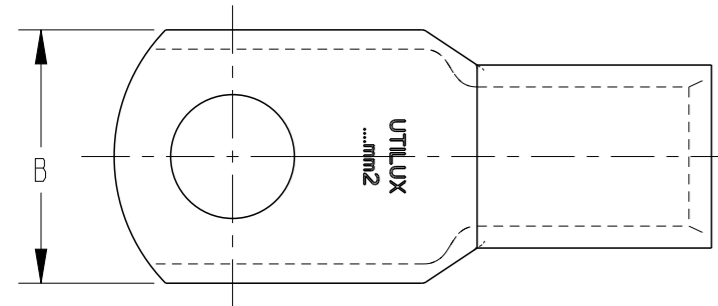
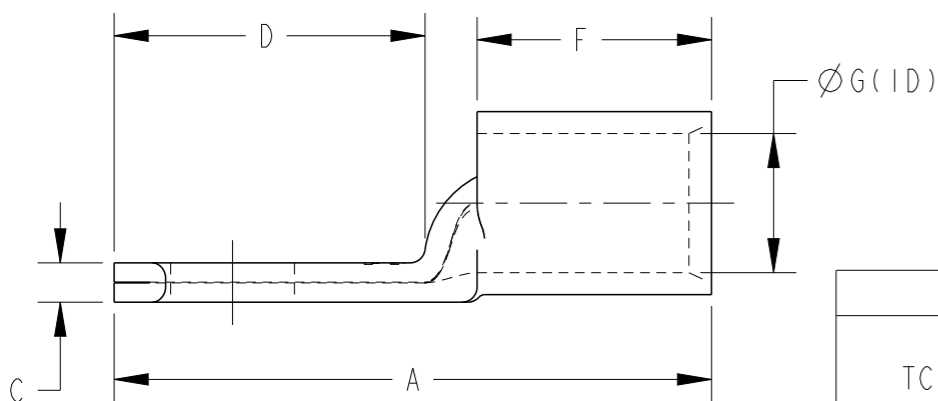


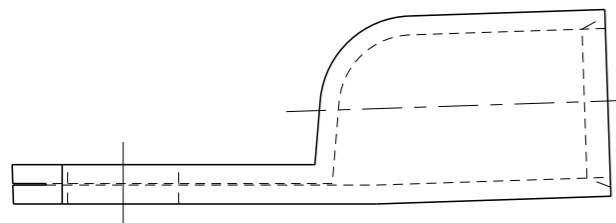
© 2020 TE Connectivity. All Rights Reserved.

REVISIONS

P	LTR	DESCRIPTION	DATE	DWN	APVD
	A	INITIAL RELEASE	04DEC2020	RS	MF



PROFILE WITH WINDOW FOR 185mm² AND BELOW



PROFILE WITHOUT WINDOW FOR 240mm² AND ABOVE

PRODUCT SELECTION INFORMATION

TCPN	CATALOGUE NUMBER	COND. AREA (mm²)	CONDUCTOR STRANDING	STUD SIZE	DIMENSION (mm)						CRIMPING DIE
					A	B	C	D	F	G	
408136-000	CG0.5SM4	0.5	1/0.80	M4	17.5	6.4	1.4	9.5	6	2.1	-
169258-000	CG0.5LM4	0.5	1/0.80	M4	19.1	6.4	1.4	11.1	6	2.1	-
361385-7	CG05M4	0.5	1/0.80	M4	19.1	6.4	1.4	11.1	6	2.1	-
022986-000	CG0.5SM5	0.5	1/0.80	M5	19.1	8.7	1	11.1	6	2.1	-
361385-6	CG05LM5	0.5	1/0.80	M6	26.2	10.3	0.9	15.1	9.5	2.1	-
361385-8	CG05M6	0.5	1/0.80	M6	26.2	10.3	0.9	15.1	9.5	9.5	-
574590-000	CG0.5M6	0.5	1/0.80	M6	26.2	10.3	0.9	15.1	9.5	2.1	-
361385-9	CG05M8	0.5	1/0.80	M8	26.2	11.5	0.8	15.1	9.5	2.1	-
591050-000	CG0.5M8	0.5	1/0.80	M8	26.2	11.5	0.8	15.1	9.5	2.1	-
005128-000	CG2.5M5	2.5	7/0.67	M5	21.4	9.1	1.1	11.9	8	2.5	-
035438-000	CG2.5M6	2.5	7/0.67	M6	26.2	10.3	0.9	15.1	8.7	2.5	-
479618-000	CG2.5M8	2.5	7/0.67	M8	26.2	11.5	0.9	15.1	8.7	2.5	-
813412-000	CG4LM5	4	7/0.85	M5	27.3	8.7	1.5	14.7	9.2	3.3	-
361388-2	CG4LM5	4	7/0.85	M5	27.3	8.7	1.5	14.7	9.2	3.3	-
729040-000	CG4SM5	4	7/0.85	M5	21	8.7	1.5	11.1	8	3.3	-
361388-6	CG4SM5	4	7/0.85	M5	21	8.7	1.5	11.1	8	3.3	-
503242-000	CG4M6	4	7/0.85	M6	27.8	10.3	1.2	15.1	9.5	3.3	-
361388-4	CG4M6	4	7/0.85	M6	27.8	10.3	1.2	15.1	9.5	3.3	-
618262-000	CG4M8	4	7/0.85	M8	28.6	13	1	16.3	9.5	3.3	-
361388-5	CG4M8	4	7/0.85	M8	28.6	13	1	16.3	9.5	3.3	-
568766-000	CG4M10	4	7/0.85	M10	28.6	14	1	16.3	9.5	3.3	-
361388-3	CG4M10	4	7/0.85	M10	28.6	14	1	16.3	9.5	3.3	-
9-361503-5	CG6M5	6	7/1.04	M5	27	10.3	1.2	15	9.5	3.7	38-44CU
464838-000	CG6M6	6	7/1.04	M6	27	10.3	1.2	15	9.5	3.7	38-44CU
361389-2	CG6M6	6	7/1.04	M6	27	10.3	1.2	15	9.5	3.7	38-44CU

THIS DRAWING IS A CONTROLLED DOCUMENT.

DIMENSIONS: mm	TOLERANCES UNLESS OTHERWISE SPECIFIED:
	0 PLC ±-
	1 PLC ±-
	2 PLC ±-
	3 PLC ±-
	4 PLC ±-
	ANGLES ±-
MATERIAL	FINISH
-	-

DWN	RAVI.S	04DEC2020
CHK	S.CHAD	04DEC2020
APVD	M.FRATER	04DEC2020
PRODUCT SPEC	-	-
APPLICATION SPEC	-	-
WEIGHT	-	-
CUSTOMER DRAWING		

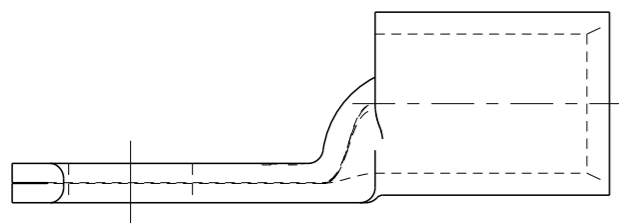
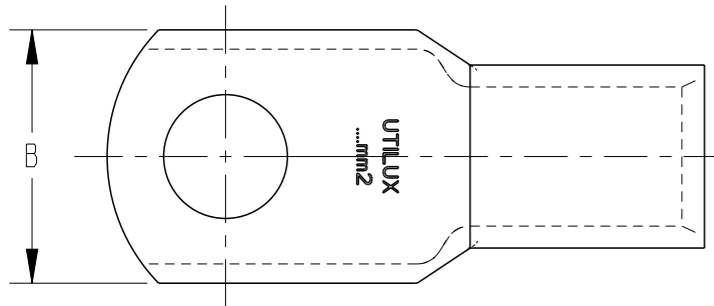
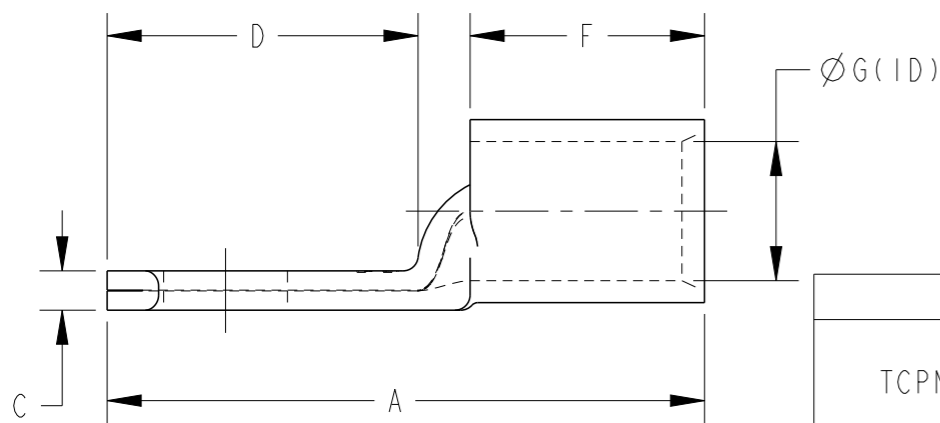
TE TE Connectivity

NAME: COPPER CRIMP LUGS

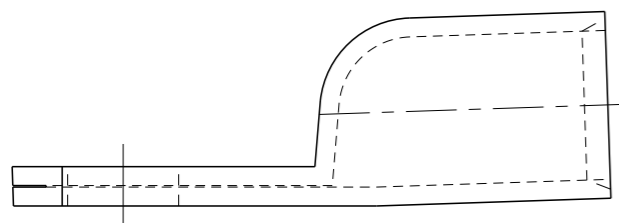
SIZE	CAGE CODE	DRAWING NO	RESTRICTED TO
A3	00779	CG-E00001137	-

SCALE: NTS SHEET 1 OF 6 REV A

P	LTR	DESCRIPTION	DATE	DWN	APVD
-	-	SEE SHEET 1	-	-	-




PROFILE WITH WINDOW FOR 185mm² AND BELOW



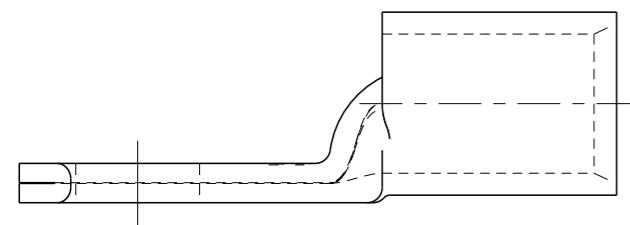
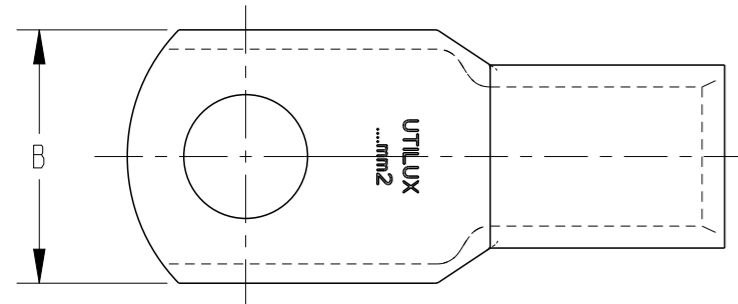
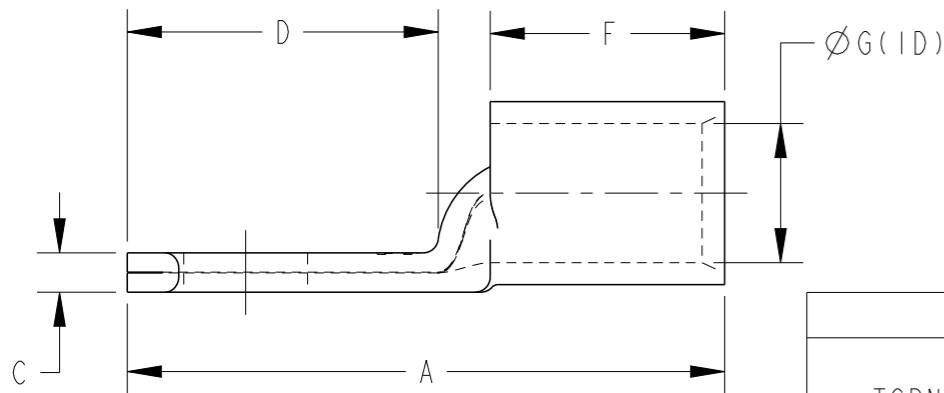
PROFILE WITHOUT WINDOW FOR 240mm² AND ABOVE

PRODUCT SELECTION INFORMATION

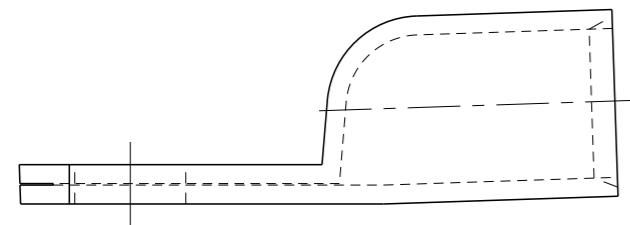
TCPN	CATALOGUE NUMBER	COND. AREA (mm ²)	CONDUCTOR STRANDING	STUD SIZE	DIMENSION (mm)						CRIMPING DIE
					A	B	C	D	F	G	
570842-000	CG6M8	6	7/1.04	M8	28.6	13.9	0.9	16.7	9.5	3.7	38-44CU
361389-3	CG6M8	6	7/1.04	M8	28.6	13.9	0.9	16.7	9.5	3.7	38-44CU
532246-000	CG6M10	6	7/1.04	M10	28.6	13.9	0.9	16.7	9.5	3.7	38-44CU
361389-1	CG6M10	6	7/1.04	M10	28.6	13.9	0.9	16.7	9.5	3.7	38-44CU
957516-000	CG10LM6	10	7/1.35	M6	29.4	11.9	1.8	15.5	11.5	4.7	38-57CU
361386-1	CG10LM6	10	7/1.35	M6	29.4	11.9	1.8	15.5	11.5	4.7	38-57CU
485158-000	CG10M6X0	10	7/1.35	M6	39.5	11.9	1.8	14.5	19	4.7	38-57CU
859694-000	CG10SM6	10	7/1.35	M6	27	11.9	1.8	15.5	9.5	4.7	38-57CU
361386-4	CG10SM6	10	7/1.35	M6	27	11.9	1.8	15.5	9.5	4.7	38-57CU
353954-000	CG10M8	10	7/1.35	M8	28.6	14.3	1.6	16.3	9.5	4.7	38-57CU
361386-3	CG10M8	10	7/1.35	M8	28.6	14.3	1.6	16.3	9.5	4.7	38-57CU
609762-000	CG10M10	10	7/1.35	M10	30.6	14.3	1.6	16.3	9.5	4.7	38-57CU
361386-2	CG10M10	10	7/1.35	M10	30.6	14.3	1.6	16.3	9.5	4.7	38-57CU
642958-000	CG10M12	10	7/1.35	M12	33	17	1.4	20	11	4.7	38-57CU
224028-000	CG16M5	16	7/1.70	M5	39.7	11.6	2.3	16.3	20.6	5.5	38-63CU
361386-6	CG16M5	16	7/1.70	M5	39.7	11.6	2.3	16.3	20.6	5.5	38-63CU
771696-000	CG16M6	16	7/1.70	M6	39.7	11.6	2.3	16.3	20.6	5.5	38-63CU
361386-7	CG16M6	16	7/1.70	M6	39.7	11.6	2.3	16.3	20.6	5.5	38-63CU
158516-000	CG16M8	16	7/1.70	M8	39.7	13.5	1.9	16.3	20.6	5.5	38-63CU
361386-8	CG16M8	16	7/1.70	M8	39.7	13.5	1.9	16.3	20.6	5.5	38-63CU
418588-000	CG16M10	16	7/1.70	M10	41.5	13.5	1.9	18.5	20.6	5.5	38-63CU
361386-5	CG16M10	16	7/1.70	M10	41.5	13.5	1.9	18.5	20.6	5.5	38-63CU
068836-000	CG16M10/M	16	7/1.70	M10	41.5	13.5	1.9	18.5	20.6	5.5	38-63CU
122904-000	CG16M11	16	7/1.70	M11	43.6	16.7	2.8	19	22.2	5.5	38-77CU
510768-000	CG16M12	16	7/1.70	M12	46	17.5	1.4	20.5	19	5.5	38-63CU

THIS DRAWING IS A CONTROLLED DOCUMENT.		DWN RAVI.S 04DEC2020	 TE Connectivity NAME COPPER CRIMP LUGS	
DIMENSIONS: mm		CHK S.CHAD 04DEC2020		
TOLERANCES UNLESS OTHERWISE SPECIFIED:		APVD M.FRATER 04DEC2020		
0 PLC ±- 1 PLC ±- 2 PLC ±- 3 PLC ±- 4 PLC ±- ANGLES ±-		PRODUCT SPEC -		
MATERIAL -		FINISH -	APPLICATION SPEC -	RESTRICTED TO -
		WEIGHT -	SIZE A3	CAGE CODE 00779
			DRAWING NO. C-E00001137	RESTRICTED TO -
			CUSTOMER DRAWING	SCALE NTS SHEET 2 OF 6 REV A

P	LTR	DESCRIPTION	DATE	DWN	APVD
-	-	SEE SHEET 1	-	-	-



PROFILE WITH WINDOW FOR 185mm² AND BELOW



PROFILE WITHOUT WINDOW FOR 240mm² AND ABOVE

PRODUCT SELECTION INFORMATION

TCPN	CATALOGUE NUMBER	COND. AREA (mm ²)	CONDUCTOR STRANDING	STUD SIZE	DIMENSION (mm)						CRIMPING DIE
					A	B	C	D	F	G	
830222-000	CG20M6	20	19/0.44	M6	34.9	12.5	2.3	14.3	19	6.3	38-70CU
361387-1	CG20M6	20	19/0.44	M6	34.9	12.5	2.3	14.3	19	6.3	38-70CU
902748-000	CG20M8	20	19/0.44	M8	42.1	13.5	2.2	19	20.3	6.3	38-70CU
361387-2	CG20M8	20	19/0.44	M8	42.1	13.5	2.2	19	20.3	6.3	38-70CU
408956-000	CG20M10	20	19/0.44	M10	42.1	14.3	2	19	20.3	6.3	38-70CU
457588-000	CG25M6	25	19/1.35	M6	43.6	16.7	1.9	18	22	7.1	38-77CU
666512-000	CG25M8	25	19/1.35	M8	43.6	16.7	1.9	18	22	7.1	38-77CU
409366-000	CG25M10	25	19/1.35	M10	43.6	16.7	1.9	18	22	7.1	38-77CU
808930-000	CG25NZM10	25 NZ	7/2.14 NZ	M10	42.1	14.3	2	18.2	21	6.7	38-77CU
219688-000	CG25M11	25	19/1.35	M11	43.6	16.7	1.9	18	22	7.1	38-77CU
370978-000	CG25NZM11	25 NZ	7/2.14 NZ	M11	54	19.8	4.5	27	22.2	7.1	38-77CU
1-361360-0	CG25NZM11SP	25 NZ	7/2.14 NZ	M11	54	19.8	4.5	27	22.2	7.1	38-77CU
246526-000	CG25M12	25	19/1.35	M12	51	18.2	1.7	25.4	21	7.1	38-77CU
853132-000	CG35M6	35	19/1.53	M6	44	18.2	2.7	17.8	22.2	8.4	38-92CU
925682-000	CG35M8	35	19/1.53	M8	44	18.2	2.7	17.8	22.2	8.4	38-92CU
854968-000	CG35M10	35	19/1.53	M10	44	18.2	2.7	17.8	22.2	8.4	38-92CU
408106-000	CG35M12	35	19/1.53	M12	51.2	20	2.4	24.5	22	8.4	38-92CU
622772-000	CG38M11	38	7/0.104	M11	52.2	19	3.7	26	22.2	8.7	38-104CU
351626-000	CG50M6	50	19/1.78	M6	52	18.2	3.1	24.8	22.2	9.4	38-104CU
367808-000	CG50M8	50	19/1.78	M8	52	20.6	20.6	24.8	22.2	9.4	38-104CU
829618-000	CG50M10	50	19/1.78	M10	52	20.6	2.8	24.8	22.2	9.4	38-104CU
271176-000	CG50M12	50	19/1.78	M12	52	20.6	2.8	24.8	22.2	9.4	38-104CU
733174-000	CG50M16	50	19/1.78	M16	54.2	20.6	2.8	27	22.2	9.4	38-104CU
320548-000	CG70M6	70	19/2.14	M6	56	20.6	3.2	26	23	11	38-115CU
051340-000	CG70M8	70	19/2.14	M8	56	20.6	3.2	26	23	11	38-115CU

THIS DRAWING IS A CONTROLLED DOCUMENT.

DIMENSIONS: mm	TOLERANCES UNLESS OTHERWISE SPECIFIED:
	0 PLC ±-
	1 PLC ±-
	2 PLC ±-
	3 PLC ±-
	4 PLC ±-
	ANGLES ±-
MATERIAL	FINISH
-	-

DWN	RAVI.S	04DEC2020
CHK	S.CHAD	04DEC2020
APVD	M.FRATER	04DEC2020
PRODUCT SPEC	-	-
APPLICATION SPEC	-	-
WEIGHT	-	-
CUSTOMER DRAWING		

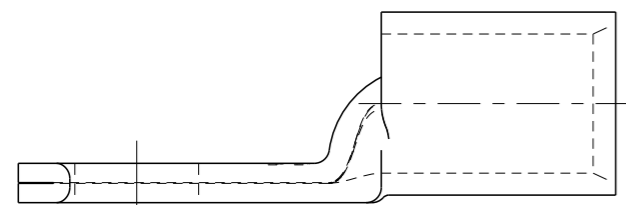
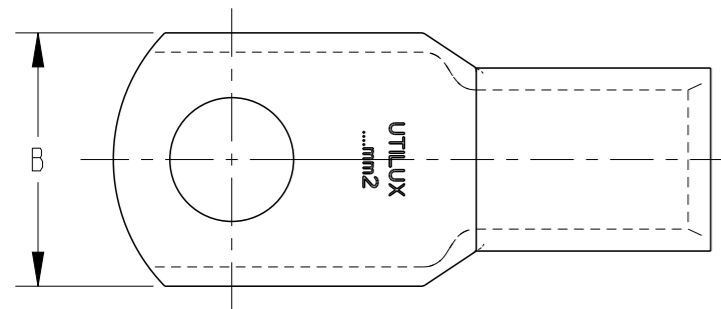
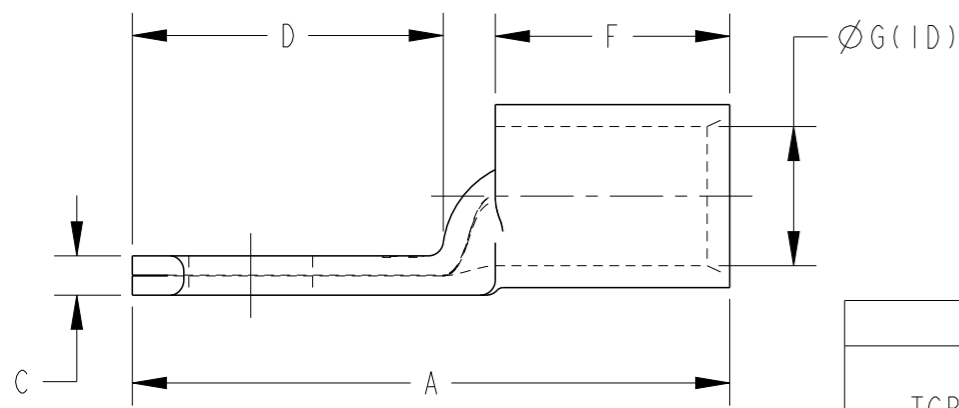
TE TE Connectivity

NAME: COPPER CRIMP LUGS

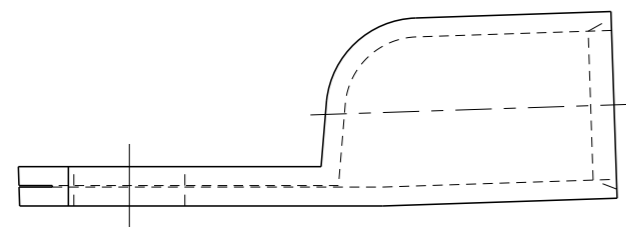
SIZE	CAGE CODE	DRAWING NO	RESTRICTED TO
A3	00779	CG-E00001137	-

SCALE: NTS SHEET 3 OF 6 REV A

P	LTR	DESCRIPTION	DATE	DWN	APVD
-	-	SEE SHEET 1	-	-	-



PROFILE WITH WINDOW FOR 185mm² AND BELOW



PROFILE WITHOUT WINDOW FOR 240mm² AND ABOVE

PRODUCT SELECTION INFORMATION

TCPN	CATALOGUE NUMBER	COND. AREA (mm ²)	CONDUCTOR STRANDING	STUD SIZE	DIMENSION (mm)						CRIMPING DIE
					A	B	C	D	F	G	
979548-000	CG70M11	70	19/2.14	M11	56	22.2	4.7	26	23	11.2	38-130CU
037906-000	CG70M12	70	19/2.14	M12	56	20.6	3.2	26	23	11	38-115CU
478524-000	CG70M16	70	19/2.14	M16	56	27.5	2.4	26	22	11	38-115CU
160830-000	CG70M20	70	19/2.14	M20	75.5	28.6	3.5	43.1	25.4	11.2	38-142CU
866974-000	CG80M10	80	37/0.64	M10	56.8	22.2	4	26	23.8	11.82	38-127CU
041794-000	CG80M12	80	37/0.64	M12	56.8	22.2	4	26	23.8	11.82	38-127CU
CM9762-000	CG80M16	80	37/0.64	M16	56.8	22.2	4	26	23.8	11.82	38-127CU
557242-000	CG95M6	95	37/1.78	M6	60	25.4	4	26	27	13.4	38-142CU 40-142CU
476602-000	CG95M8	95	37/1.78	M8	60	25.4	4	26	27	13.4	38-142CU 40-142CU
478494-000	CG95M12	95	37/1.78	M12	60	25.4	4	26	27	13.4	38-142CU 40-142CU
294124-000	CG95M16	95	37/1.78	M16	75.5	27	3.7	43.1	25.4	13.4	38-142CU 40-142CU
666802-000	CG95M20	95	37/1.78	M20	75.5	28.6	3.5	43.1	25.4	13.4	38-142CU 40-142CU
D95473-000	CG120M8	120	37/2.03	M8	69	30	4.8	30	31	15.5	38-165CU, 40-165CU
152376-000	CG120M10	120	37/2.03	M10	69	30	4.8	30	31	15.5	38-165CU, 40-165CU
623338-000	CG120M12	120	37/2.03	M12	69	30	4.8	30	31	15.5	38-165CU, 40-165CU
911176-000	CG120M16	120	37/2.03	M16	69	30	4.8	30	31	15.5	38-165CU, 40-165CU
024890-000	CG120M20	120	37/2.03	M20	69	30	4.8	30	31	15.5	38-165CU, 40-165CU
650302-000	CG150M10	150	37/2.25	M10	78	33.5	5.4	40	27	16.3	38-183CU, 40-185CU
292494-000	CG150M12	150	37/2.25	M12	78	33.5	5.4	40	27	16.3	38-183CU, 40-185CU
854522-000	CG150M16	150	37/2.25	M16	78	33.5	5.4	40	27	16.3	38-183CU, 40-185CU
858384-000	CG150M20	150	37/2.25	M20	78	33.5	5.4	40	27	16.3	38-183CU, 40-185CU
346062-000	CG160M12	160	37/0.93	M12	78	31.8	5.2	40	27	16.94	38-183CU
957012-000	CG160M20	160	37/0.93	M20	78	31.8	5.2	41.3	27	16.94	38-183CU
609382-000	CG185M10	185	37/2.52	M10	82	36.5	5.2	40	31	18.4	38-200CU, 40-200CU
379798-000	CG185M12	185	37/2.52	M12	82	36.5	5.2	40	31	18.4	38-200CU, 40-200CU

THIS DRAWING IS A CONTROLLED DOCUMENT.

DIMENSIONS: mm	TOLERANCES UNLESS OTHERWISE SPECIFIED:
	0 PLC ±-
	1 PLC ±-
	2 PLC ±-
	3 PLC ±-
	4 PLC ±-
	ANGLES ±-
MATERIAL	FINISH
-	-

DWN	RAVI.S	04DEC2020
CHK	S.CHAD	04DEC2020
APVD	M.FRATER	04DEC2020
PRODUCT SPEC	-	-
APPLICATION SPEC	-	-
WEIGHT	-	-
CUSTOMER DRAWING		

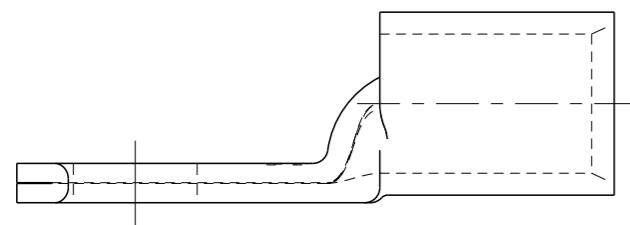
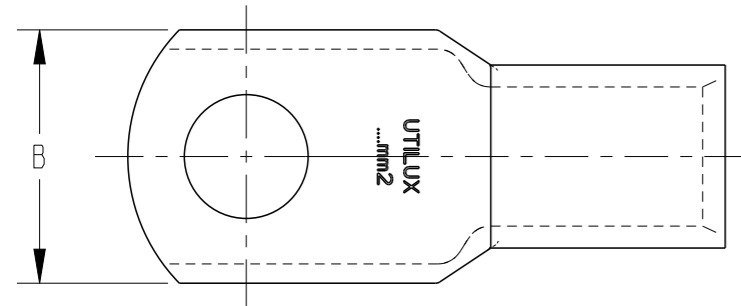
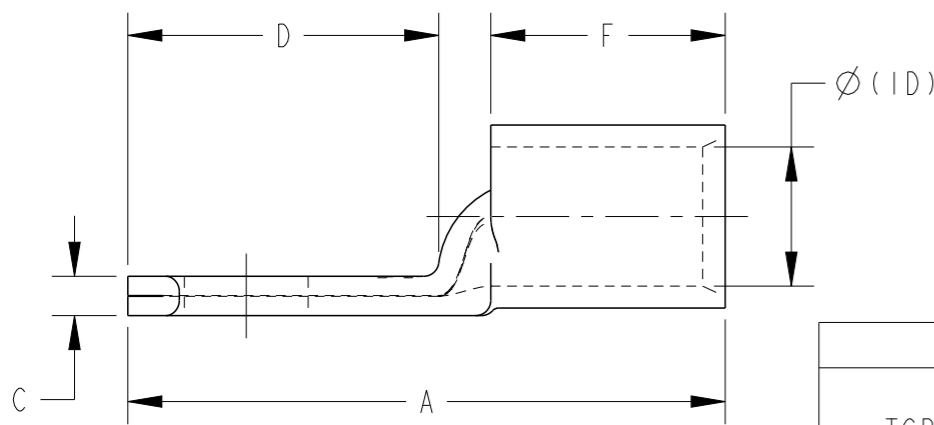
STE TE Connectivity

NAME: COPPER CRIMP LUGS

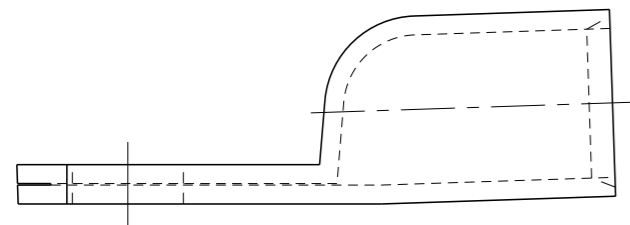
SIZE	CAGE CODE	DRAWING NO	RESTRICTED TO
A3	00779	CG-E00001137	-

SCALE: NTS SHEET: 4 OF 6 REV: A

P	LTR	DESCRIPTION	DATE	DWN	APVD
-	-	SEE SHEET 1	-	-	-



PROFILE WITH WINDOW FOR 185mm² AND BELOW



PROFILE WITHOUT WINDOW FOR 240mm² AND ABOVE

PRODUCT SELECTION INFORMATION

TCPN	CATALOGUE NUMBER	COND. AREA (mm ²)	CONDUCTOR STRANDING	STUD SIZE	DIMENSION (mm)						CRIMPING DIE
					A	B	C	D	F	G	
059296-000	CG185MI6	185	37/2.52	M16	82	36.5	5.2	40	31	18.4	38-200CU, 40-200CU
852958-000	CG185M20	185	37/2.52	M20	82	36.5	5.2	40	31	18.4	38-200CU, 40-200CU
195960-000	CG240MB	240	61/2.25	Nil	127	41.6	7.1	54	47.6	21.2	38-231CU, 40-231CU
361387-4	CG240MB	240	61/2.25	Nil	127	41.6	7.1	54	47.6	21.2	38-231CU, 40-231CU
335812-000	CG240MI0	240	61/2.25	M10	127	41.6	7.1	54	47.6	21.2	38-231CU, 40-231CU
638654-000	CG240MI2	240	61/2.25	M12	127	41.6	7.1	54	47.6	21.2	38-231CU, 40-231CU
405676-000	CG240MI6	240	61/2.25	M16	127	41.6	7.1	54	47.6	21.2	38-231CU, 40-231CU
048060-000	CG240M20	240	61/2.25	M20	127	41.6	7.1	54	47.6	21.2	38-231CU, 40-231CU
594974-000	CG300MB	300	61/2.52	Nil	127	46	7.9	54	47.6	23.8	38-260CU, 40-260CU
361387-9	CG300MB	300	61/2.52	Nil	127	46	7.9	54	47.6	23.8	38-260CU, 40-260CU
525292-000	CG300MI2	300	61/2.52	M12	127	46	7.9	54	47.6	23.8	38-260CU, 40-260CU
547468-000	CG300MI6	300	61/2.52	M16	127	46	7.9	54	47.6	23.8	38-260CU, 40-260CU
010970-000	CG300M20	300	61/2.52	M20	127	46	7.9	54	47.6	23.8	38-260CU, 40-260CU
960142-000	CG400MB	400	61/2.85	Nil	123	49.6	7.9	54	41.3	26.9	40-281CU, 50-281CU, 66-281CU
361388-1	CG400MB	400	61/2.85	Nil	123	49.6	7.9	54	41.3	26.9	40-281CU, 50-281CU, 66-281CU
361388-8	CG500MB	500	61/3.20	Nil	142.5	54.8	8.2	54	55.5	30	40-310CU, 50-310CU, 66-310CU
387788-000	CG500MI6	500	61/3.20	M16	142.5	54.8	8.2	54	55.5	30	40-310CU, 50-310CU, 66-310CU
945162-000	CG630MB	630	127/2.52	Nil	146	63.5	11.5	54	58	33.5	40-370CU, 50-70CU
361388-9	CG630MB	630	127/2.52	Nil	146	63.5	11.5	54	58	33.5	40-370CU, 50-70CU
316640-000	CG800MB	800	127/2.85	Nil	275	75	14	127	105	39.3	40-432CU
CN4661-000	CG1000MB	1000	127/3.20	Nil	295	85	16	127	115	43.5	40-480CU
CN4663-000	CG1200MB	1200	127/3.50	Nil	295	85	16	127	115	45.5	40-480CU

THIS DRAWING IS A CONTROLLED DOCUMENT.

DIMENSIONS: mm	TOLERANCES UNLESS OTHERWISE SPECIFIED:
	0 PLC ±-
	1 PLC ±-
	2 PLC ±-
	3 PLC ±-
	4 PLC ±-
	ANGLES ±-
MATERIAL	FINISH
-	-

DWN	RAVI.S	04DEC2020
CHK	S.CHAD	04DEC2020
APVD	M.FRATER	04DEC2020
PRODUCT SPEC	-	-
APPLICATION SPEC	-	-
WEIGHT	-	-
CUSTOMER DRAWING		

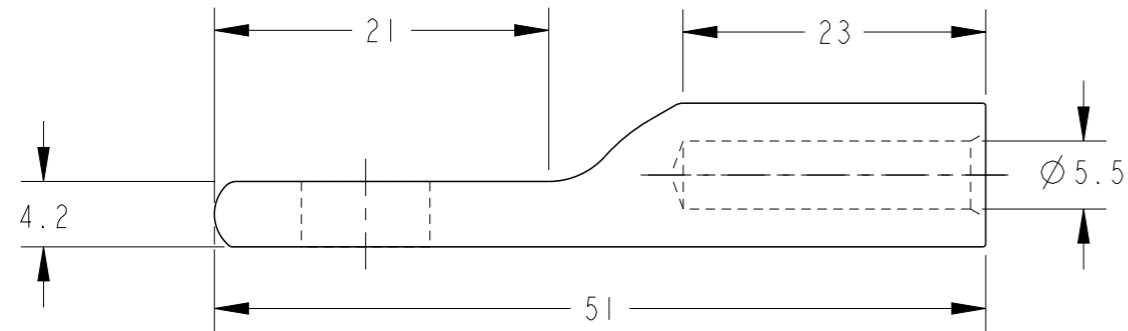
TE TE Connectivity

NAME: COPPER CRIMP LUGS

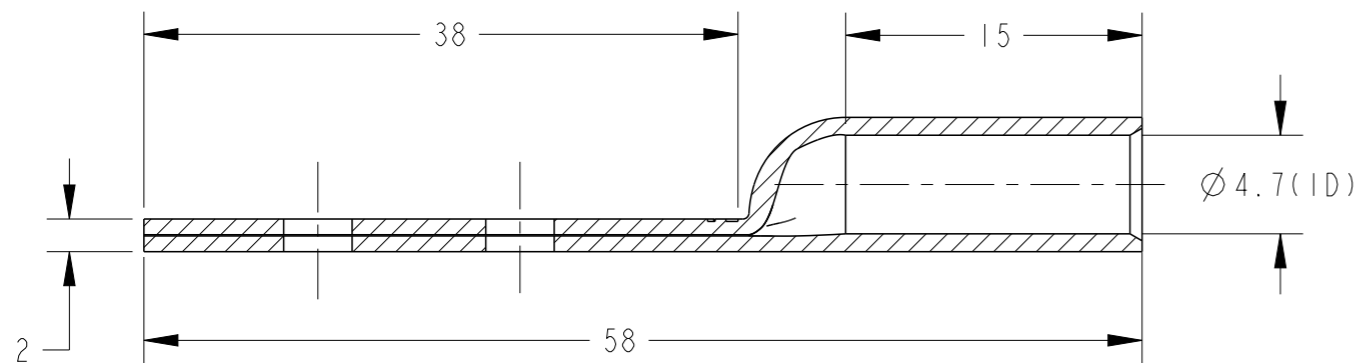
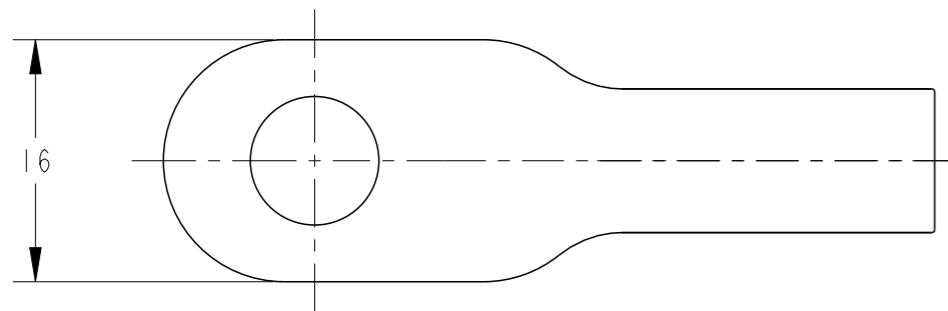
SIZE	CAGE CODE	DRAWING NO	RESTRICTED TO
A3	00779	CG-E00001137	-

SCALE: NTS SHEET 5 OF 6 REV A

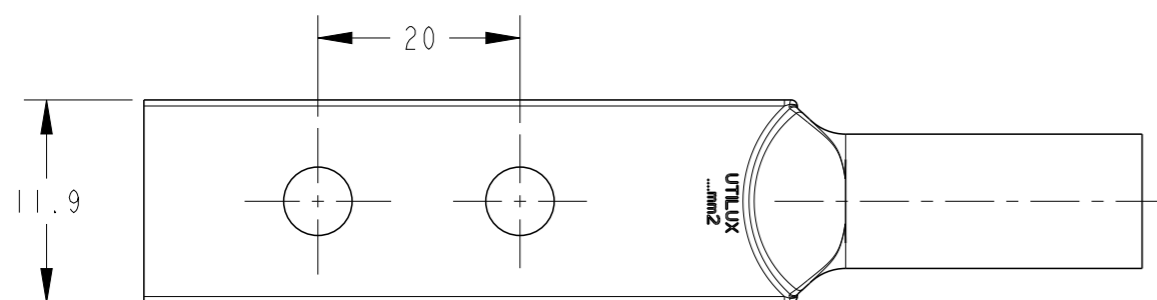
P	LTR	DESCRIPTION	DATE	DWN	APVD
-	-	SEE SHEET 1	-	-	-


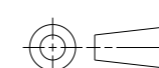


PRODUCT SELECTION INFORMATION				
TCPN	CATALOGUE NUMBER	COND. AREA (mm ²)	STUD SIZE	CRIMPING DIE
657372-000	CG10SDM10	10	M10	38-77CU



PRODUCT SELECTION INFORMATION				
TCPN	CATALOGUE NUMBER	COND. AREA (mm ²)	STUD SIZE	CRIMPING DIE
119390-000	CG10LPM6-20	10	M6	38-57CU



THIS DRAWING IS A CONTROLLED DOCUMENT.		DWN RAVI.S 04DEC2020	 TE Connectivity		
DIMENSIONS: mm		CHK S.CHAD 04DEC2020			NAME COPPER CRIMP LUGS
		APVD M.FRATER 04DEC2020			
TOLERANCES UNLESS OTHERWISE SPECIFIED:		PRODUCT SPEC -	APPLICATION SPEC -	RESTRICTED TO -	
MATERIAL -		FINISH -	WEIGHT -	SIZE A3	
		CUSTOMER DRAWING		SCALE NTS	
		SHEET 6 OF 6		REV A	
		DRAWING NO E00001137			