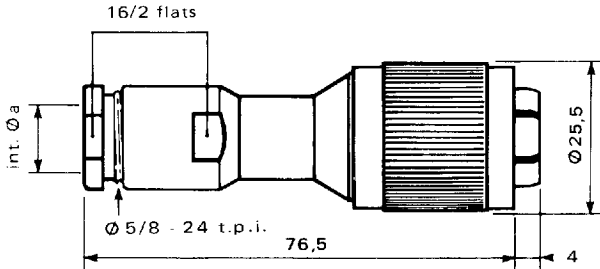


THT.20 series

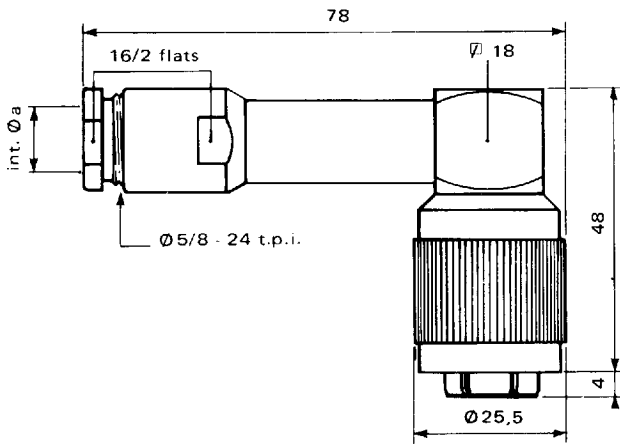
CODE No.	STYLE	Cable group Ω	max. ϕ_a	Assembly code	Panel piercing	Weight (g)
----------	-------	-------------------------	------------------	---------------	----------------	------------

STRAIGHT PLUGS



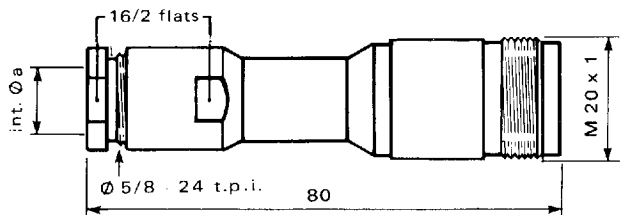
R 331 018	Cable clamp	10/50 10/75 11/50 11/75	11,2	K13-77		100
R 331 007	Cable clamp	5/12	5,4	K57-77		100

ELBOW PLUG

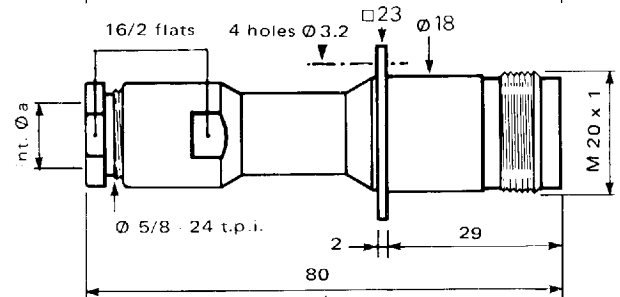


R 331 168	Cable clamp	10/50 10/75 11/50 11/75	11,2	K13-71		130
-----------	-------------	----------------------------------	------	--------	--	-----

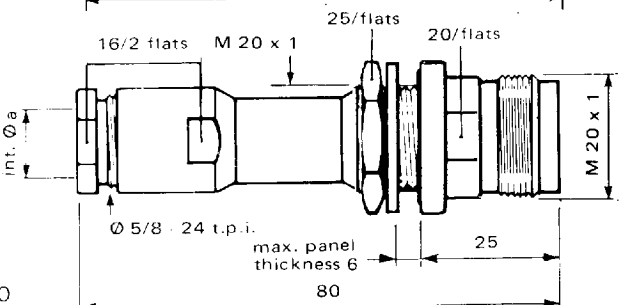
STRAIGHT JACKS



R 331 218	Cable clamp	10/50 10/75 11/50 11/75	11,2	K13-77		80
-----------	-------------	----------------------------------	------	--------	--	----



R 331 268*	Square flange mounting - cable clamp	10/50 10/75 11/50 11/75	11,2	K13-77	a 31 a 34	88
------------	--------------------------------------	----------------------------------	------	--------	--------------	----



R 331 323	Bulkhead mounting panel seal - cable clamp	11/75			e 12	95
-----------	--	-------	--	--	------	----

* Manufactured upon request.