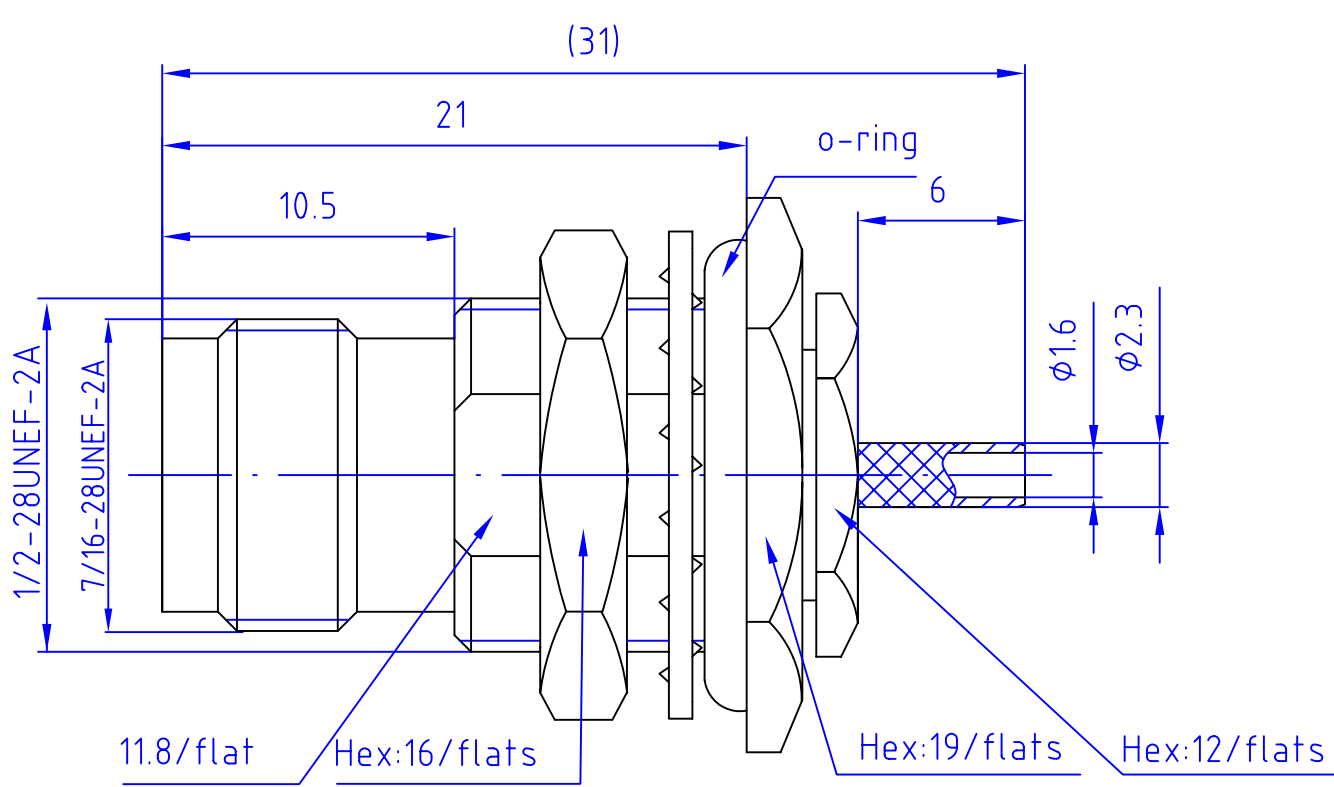
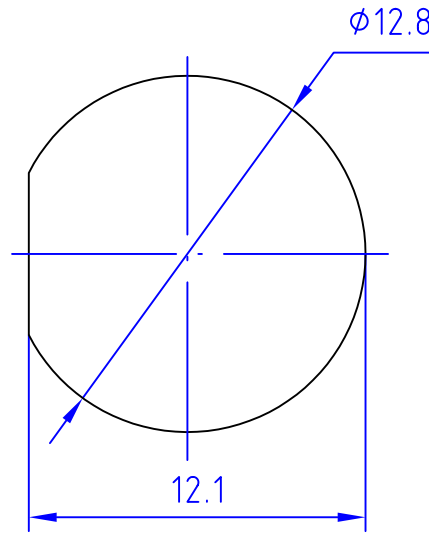
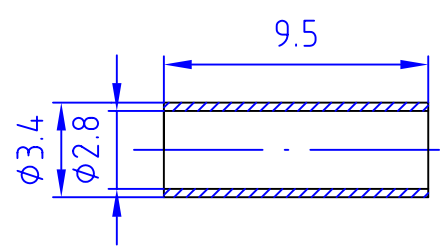


1	2	3	4
RevNo	Revision note	Date	Signature Checked



Dimension of mounting hole



Material and Plating  
 Body & Nut: Brass nickel plated;  
 Center contacts: Phosphor bronze gold plated;  
 Insulators: PTFE.

ELECTRICAL  
 Characteristic Impedance :50Ω  
 Working Voltage:500V  
 Frequency Range :0-11GHz  
 Dielectric Withstanding Voltage :150V  
 Contact Resistance Center Conductor: ≤ 1.5mΩ  
 Outer Conductor: ≤ 0.2mΩ  
 Insulation Resistance : ≥ 5000MΩ  
 VSWR : ≤ 1.3

Itemref	Quantity	Title/Name, designation, material, dimension etc	Article No./Reference
Designed by Li Yan2005.03.16	Checked by Cao	Approved by - date	Filename Date 2005.03.16
Xi'an Connector Tech		TNC-(E)KY2.5Y TNC1232001/W/0002	
Outline Drawing		Edition 1	Sheet 1/1