

ELECTRICAL

Matching Impedance: 75 ohm unbalanced coaxial to 120 ohm balanced twisted pair.
 Bit Rates: 2Mbit/s and 8Mbit/s as ITU-T Recommendation G.703 Line Code.
 Return Loss: 2Mbit/s exceeds G.703 requirements (>25dB @ 51 ~ 3072kHz)
 8Mbit/s as per G.703 requirements.
 Insertion Loss: <0.16dB for 2 Mbit/s service (51 ~ 3072kHz)
 <0.3dB for 8Mbit/s service (211kHz ~12.672MHz)
 Cross Talk: >80dB from 51kHz to 12.672MHz between 2 baluns mounted 20mm apart.
 Pulse Shape: 2Mbit/s and 8Mbit/s as per G.703
 Isolation Voltage: 250V DC for 1 minute between windings.
 Signal Levels: 2.37V nominal peak voltage for 2Mbit/s and 8Mbit/s at the coaxial end as per G.703

MATERIALS

Body: Brass Alloy AS 1567 Type 385. Finish Cu/Ni5b
 Insulator: PTFE
 Inner Contact: Brass Alloy AS 1567 Type 385. Finish Cu/Ni5/Au
 Outer Sleeve and Base Moulding: Noryl Black
 IDC Moulding: Polyester White

COAXIAL CONNECTOR (75 ohm)

BNC Series: To IEC 169-8.

IDC CONTACTS

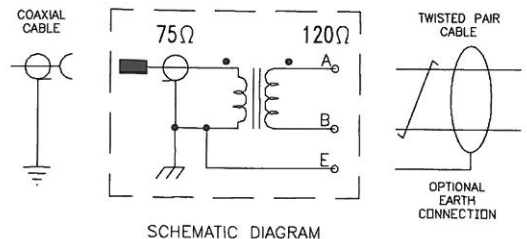
Wire Size: 0.4mm to 0.65mm conductor diameter,
 Insulation diameter 0.7mm to 1.4mm.
 Finish: Silver plated
 Mating Cycles: 50

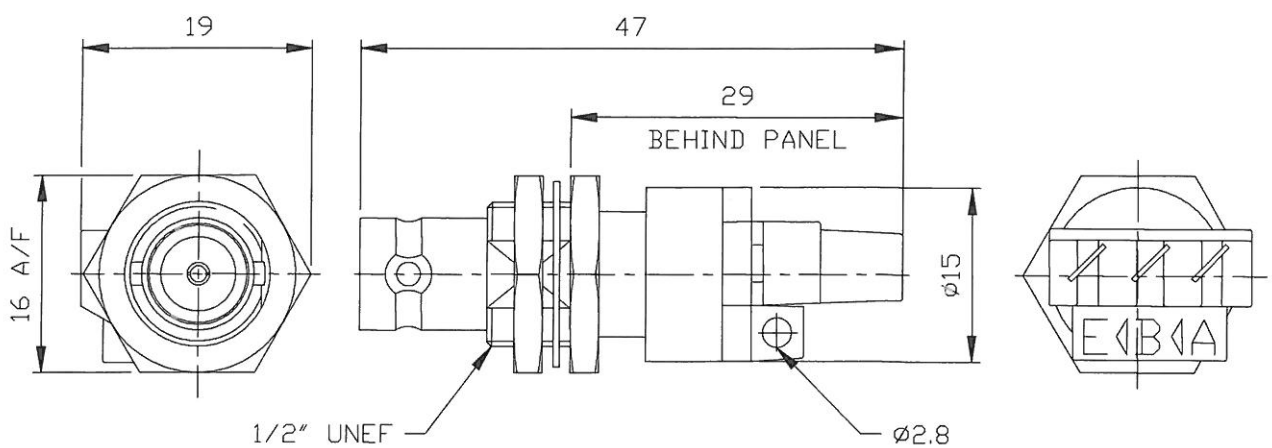
ENVIRONMENTAL

Working Temperature: -30 °C to 75 °C

TERMINATION

IDC Termination: Krone Terminating Tool





ELECTRICAL

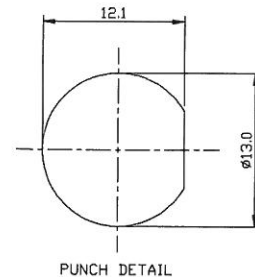
Matching Impedance: 75 ohm unbalanced coaxial to 120 ohm balanced twisted pair.
Bit Rates: 2Mbit/s and 8Mbit/s as ITU-T Recommendation G.703 Line Code.
Return Loss: 2Mbit/s exceeds G.703 requirements (>25dB @ 51 ~ 3072kHz)
 8Mbit/s as per G.703 requirements.
Insertion Loss: <0.16dB for 2 Mbit/s service (51 ~ 3072kHz)
 <0.3dB for 8Mbit/s service (211kHz ~ 12.672MHz)
Cross Talk: >80dB from 51kHz to 12.672MHz between 2 baluns mounted 20mm apart.
Pulse Shape: 2Mbit/s and 8Mbit/s as per G.703
Isolation Voltage: 250V DC for 1 minute between windings.
Signal Levels: 2.37V nominal peak voltage for 2Mbit/s and 8Mbit/s at the coaxial end as per G.703

MATERIALS

Outer Contact:	Brass Alloy AS 1567 Type 385. Finish Cu/Ni
Insulator:	PTFE
Inner Contact:	Phosphor Bronze. Finish Cu/Ni/Au
Body and Nut:	Brass Alloy AS 1567 Type 385. Finish Body Cu/Ni/Sn, Nut Cu/Ni
Outer Sleeve and Base Moulding:	Noryl Black
IDC Moulding:	Polyester White

COAXIAL CONNECTOR (75 ohm)

BNC Series: To IEC 169-8.



IDC CONTACTS

Wire Size: 0.4mm to 0.65mm conductor diameter, Insulation diameter 0.7mm to 1.4mm.
Finish: Silver plated
Mating Cycles: 50

ENVIRONMENTAL

Working Temperature: -30 °C to 75 °C

TERMINATION

IDC Termination: Krone Terminating Tool
Panel Mounting: Spanner 16mm A/F.

