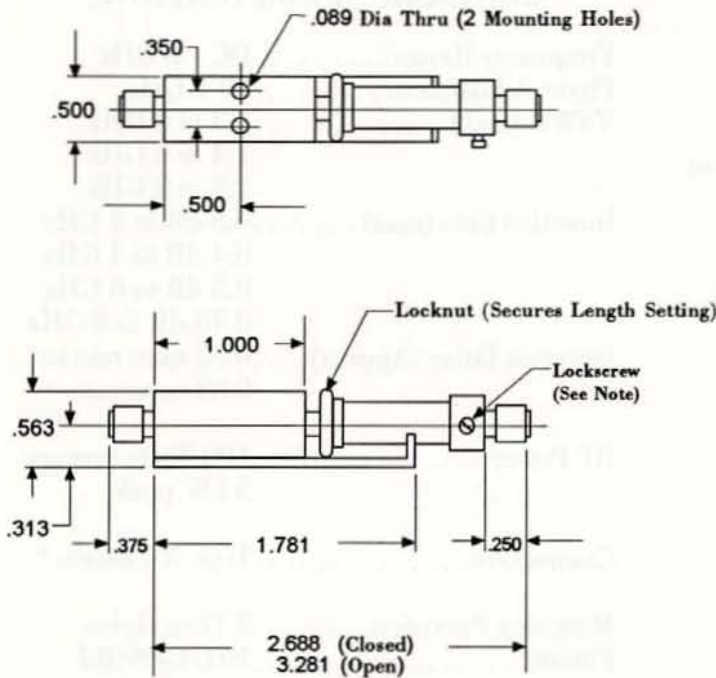




**Model No. 9428T  
Form 4795**



**Model No. 9428T-MF  
Form 4795-1**



**GENERAL SPECIFICATIONS**

- Frequency Range . . . . . DC - 18 GHz
- Phase Adjustment . . . . . 15°/ GHz
- VSWR . . . . . 1.3 to 4 GHz  
1.5 to 18 GHz
- Insertion Loss . . . . . 0.5 dB to 12 GHz  
0.75 dB to 18 GHz
- Insertion Delay (Approx) . . . . . 0.306 nsec min to  
0.348 nsec max
- RF Power . . . . . 100 Watts average  
5 kW peak
- Connectors . . . . . SMA Female \*
- Mounting Provision . . . . . 2 Thru Holes
- Finish . . . . . MIL-C-39012

**Note :** Loosening lock screw allows length adjustment without disconnecting cable.

Frequency Range	Models
DC - 2 GHz	3428T
DC - 4 GHz	4428T
DC - 8 GHz	5428T
DC - 12 GHz	6428T
DC - 18 GHz	9428T

\* For SMA Male/Female connectors, suffix model number with -MF. Ex: 9428T-MF. Form 4795 changes to Form 4795-1.

# LINE STRETCHERS TYPE N MODELS

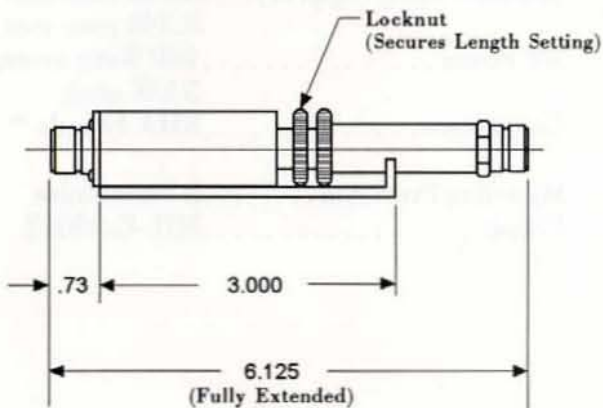
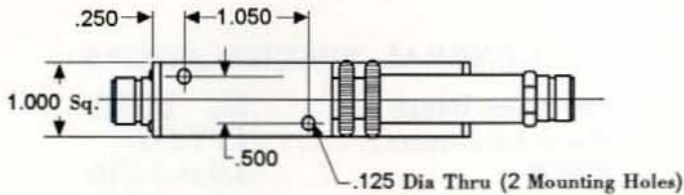
DC-8 GHz



**Model No. N5428T  
Form 5277**



**Model No. N5428T-MF  
Form 5277-1**



## GENERAL SPECIFICATIONS

Frequency Range	DC - 8 GHz
Phase Adjustment	30° / GHz
VSWR (max)	1.3 to 4 GHz 1.4 to 6 GHz 1.5 to 8 GHz
Insertion Loss (max)	0.3 dB to 2 GHz 0.4 dB to 4 GHz 0.5 dB to 6 GHz 0.75 dB to 8 GHz
Insertion Delay (Approx)	0.53 nsec min to 0.62 nsec max
RF Power	100 Watts average 5 kW peak
Connectors	Type N Female *
Mounting Provision	2 Thru Holes
Finish	MIL-C-39012

Frequency Range	Models
DC - 2 GHz	N3428T
DC - 4 GHz	N4428T
DC - 8 GHz	N5428T

\* For Type N Male/Female connectors, suffix model number with -MF. Ex: N9428T-MF. Form 5277 changes to Form 5277-1.