



# Sector Microwave Industries

999 Grand Blvd., Deer Park, Long Island, NY 11729

Voice: (631) 242-2300 Fax: (631) 242-8158

## WAVEGUIDE SWITCHES ▼

### COMPANY

WHAT'S NEW

ABOUT US

### PRODUCTS

WAVEGUIDE SWITCHES

COAXIAL SWITCHES

DUAL WAVEGUIDE-COAXIAL SWITCHES

SPACE SWITCHES

FILTERS

ACTUATORS

# WR 102 - 137

[WR 75 SERIES](#) |

[WR 75 LOCKING](#) | [WR 137 SERIES](#) |

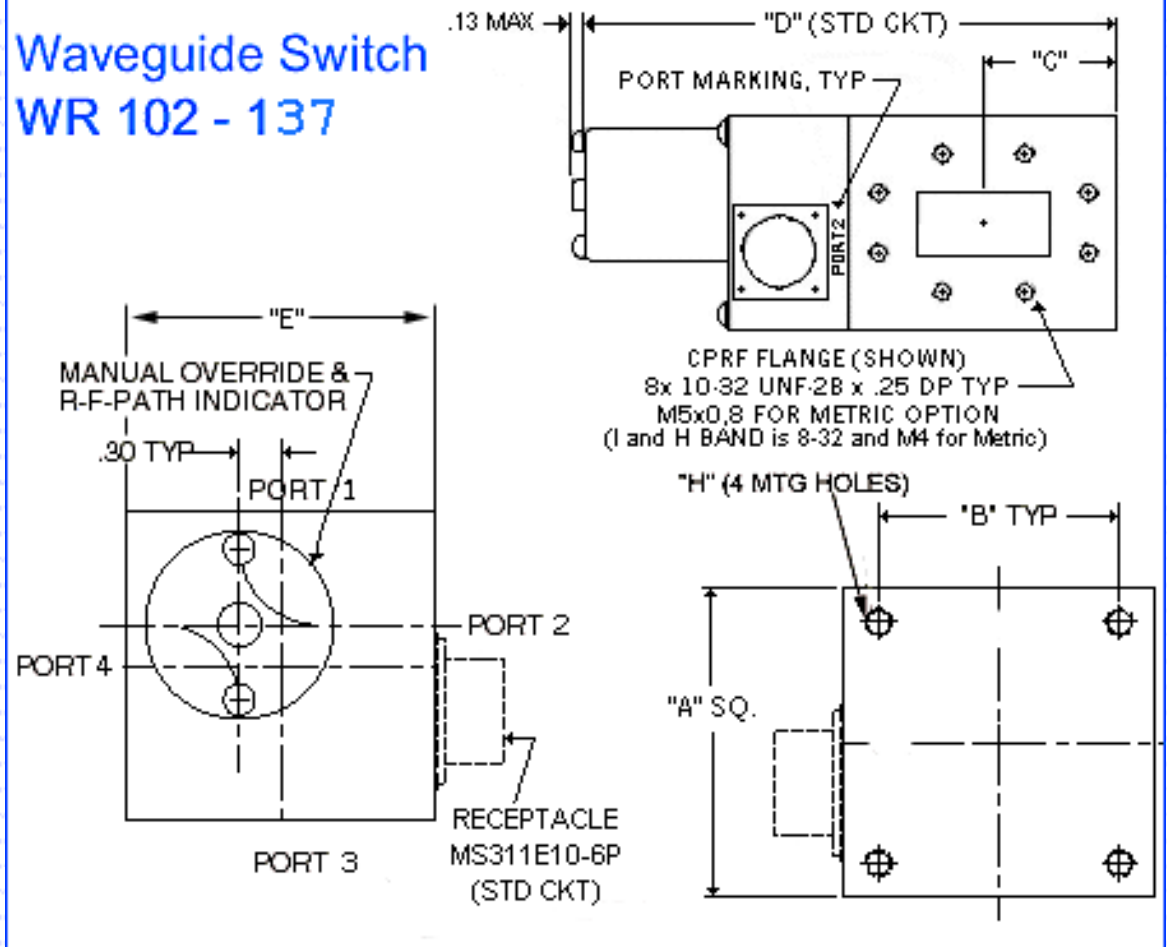
[WR 10-22](#) | [WR 28-51](#) | [WR 62-90](#) |

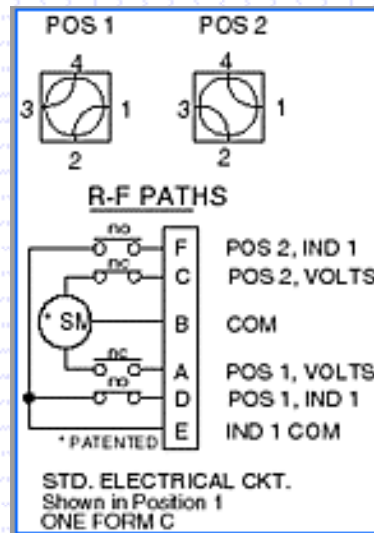
[WR 102-137](#) | [WR 159-975](#) |

[DOUBLE RIDGE WRD 580](#) |

[SCHEMATICS](#) |

## Waveguide Switch WR 102 - 137





## SPECIFICATIONS

<b>W/G Size - EIA</b>	102 (I)	112 (H-)	137 (3-)
<b>FREQ. RANGE - GHz</b>	7.00-11.0	7.05-10.00	5.85-8.20
<b>VSWR (MAX)</b>	1.05	1.05	1.05
<b>Insertion Loss</b>	.05 dB MAX	.05 dB MAX	.02 dB MAX
<b>ISOLATION dB Min</b>	60	60	60
<b>SWITCHING TIME (SEC)</b>	.06	.06	.06
<b>"A" FLANGE (IN)</b>	1.950	2.250	2.250
<b>"B" - MTG HOLES SPACING</b>	1.500	1.750	1.750
<b>"C" - REF (IN)</b>	1.168	1.181*	1.375
<b>"D" - HEIGHT, NOM (IN)</b>	5.0	5.4 MAX	5.6
<b>"E" - DRIVE, ASSY (IN)</b>	2.25	2.25	2.25
<b>"H" - MTG HOLES (THD)</b>	8-32 (M4 Metric)	8-32 (M4 Metric)	10-32 (M4 Metric)
<b>WEIGHT (Lbs)</b>	1.2	1.2	1.5
<b>SIZE CODE</b>	I	H-	3-
<b>Flange Availability</b>	102 (I)	112 (H-)	137 (3-)
<b>PLAIN</b>	-	X	-
<b>O-RING</b>	-	X	-
<b>CHOKE</b>	-	X	-
<b>CPRF</b>	X	X	X
<b>CPRG</b>	X	X	X
<b>CMR</b>	-	-	X

\* 1.266 FOR CPR FLANGES

**Part Number \***



\*Please select size from the pull down menu below to determine the part number:

WR Size Code

Voltage

Flange

Option 1:

Option2:

Schematic  
Options: [Schematics Pages](#)

[What's New](#) | [About Us](#)

[Waveguide Switches](#) | [Coaxial Switches](#)

[Dual Waveguide & Coaxial Switches](#) | [Space Switches](#)

[Sector Microwave Homepage](#) | [Contact SMI](#)

---

*Sector Microwave Industries*

© [Sector Microwave Design](#) 2002. All Rights Reserved.

URL: <http://www.sectormicrowave.com>