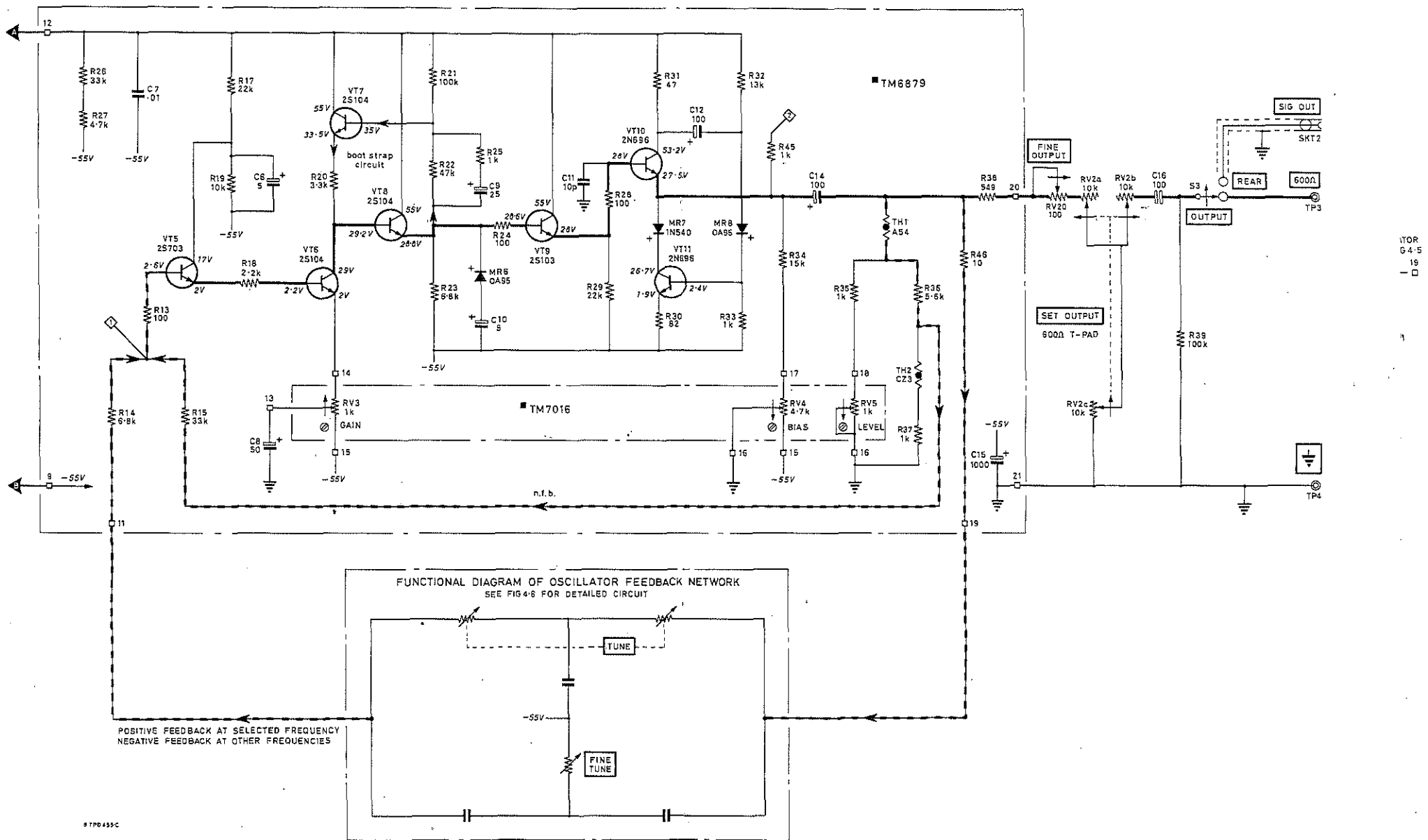


Fig 4.6 OSCILLATOR FEEDBACK NETWORK



VTOR
G4-5
- □

Fig 4-5 OSCILLATOR

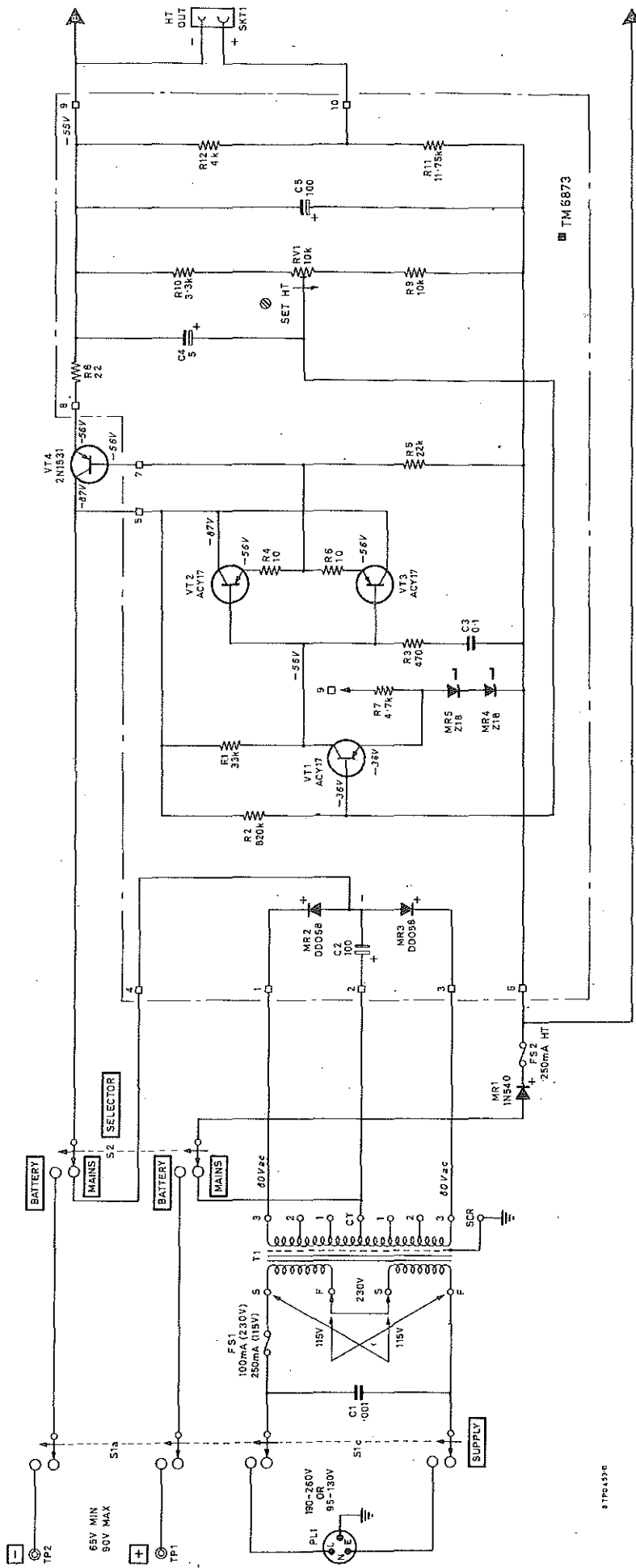


Fig 4.4 POWER SUPPLY