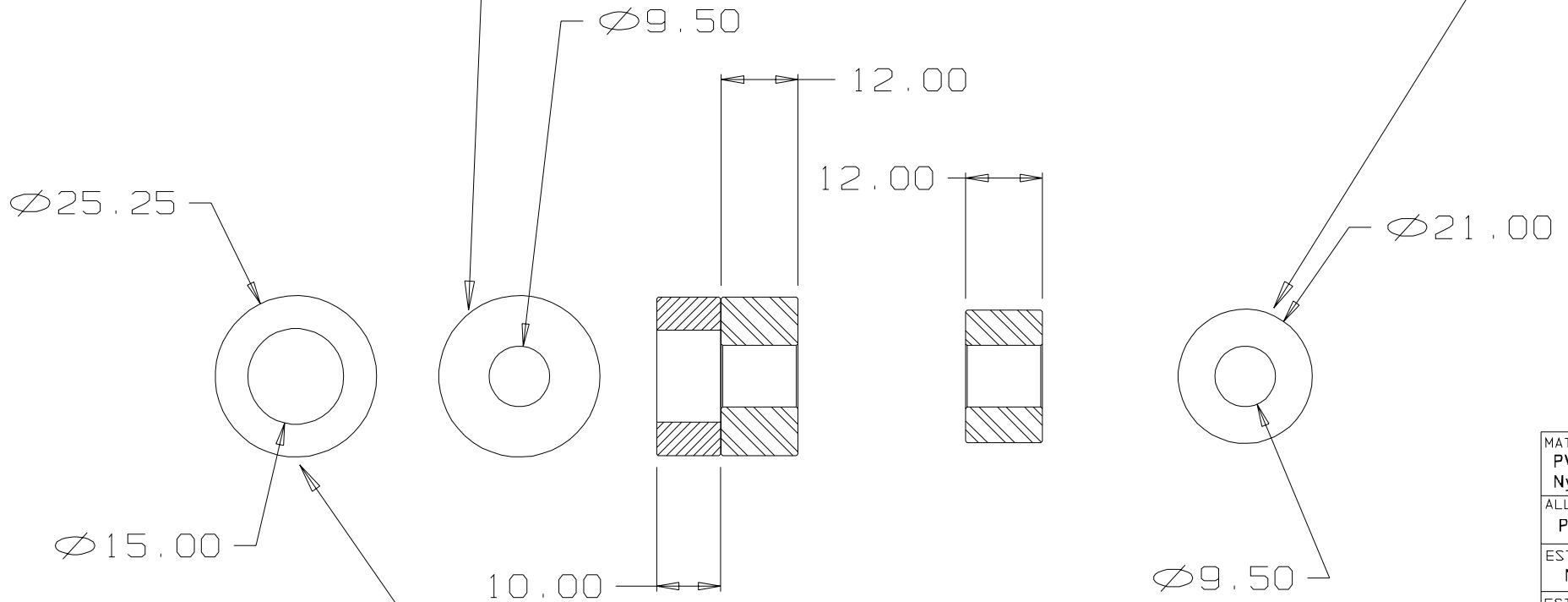


Bushing - 25.25 x 9,5 x 12,0mm

Bushing - 21.0 x 9,5 x 12,0mm



Bushing - 25.25 x 15,0 x 10,0mm

MATERIAL	PVC Extrusion Nylon Bushes
ALLOY	PVC + Nylon
EST. AREA	NA mm
EST. WEIGHT	?? kg/m
EST. PERIPHERY	EXT: NA mm TOT: NA mm
TOLERANCE	0.00mm ± 0.1 mm 00.0mm ± 0.25 mm 0000mm ± 0.5 mm 0-600mm ± 0.1 mm > 600mm ± 0.5 mm
BS1474:1987 APPLIES UNLESS OTHERWISE SPECIFIED	
JOB No.	3000

	CUSTOMER :	CASA Modular Systems		SIZE	DRAWING Reference No.	ISSUE
	DESCRIPTION :	Rotating Handle 29mm Dia x 60mm long		A4	WINDER-HANDLE	A
P.O. BOX 38-828, WELLINGTON, NEW ZEALAND TELEPHONE : (64-4) 5687 277 FACSIMILE : (64-4) 5685 161	DRAWN :	DATE :	APPROVED :	DWG. SCALE :	© COPYRIGHT : CASA Modular Systems ALL RIGHTS RESERVED	
	A.W.D	22/02/11	?	1:1		