



12345-wizard.com

Stepping Motor – Uni-Polar

Type: 23LM-C339-02



<http://www.casa.co.nz>

Edition: 23/08/2011

General Data

Brand: AstroSys (Minebea Japan)

Type #: 23LM-C399-02

OEM #: 4240593 (IBM)

Spec: n/a

Frame: NEMA 23

Steps: 200/rev (1.8 Degrees per full-step or finer with micro-stepping)

Current: 0.18 Amp

Volts: 24 Vdc

Torque: ___ Nm @ ___A (18 oz.in.)

Resistance: 256 Ohms / phase (nominal)

Inductance: 233/468 mH / phase (nominal)

Connector: 7 way x 0.1" (if fitted)

Wires: 5 wire (up to 150 mm nominal)

Shaft: 6.35mm dia x 25mm long

Shaft-Detail: Plain

Size: 56 x 56 x 53mm (nominal)

Supply-Max: 24~80Vdc (recommended max = V x 25)

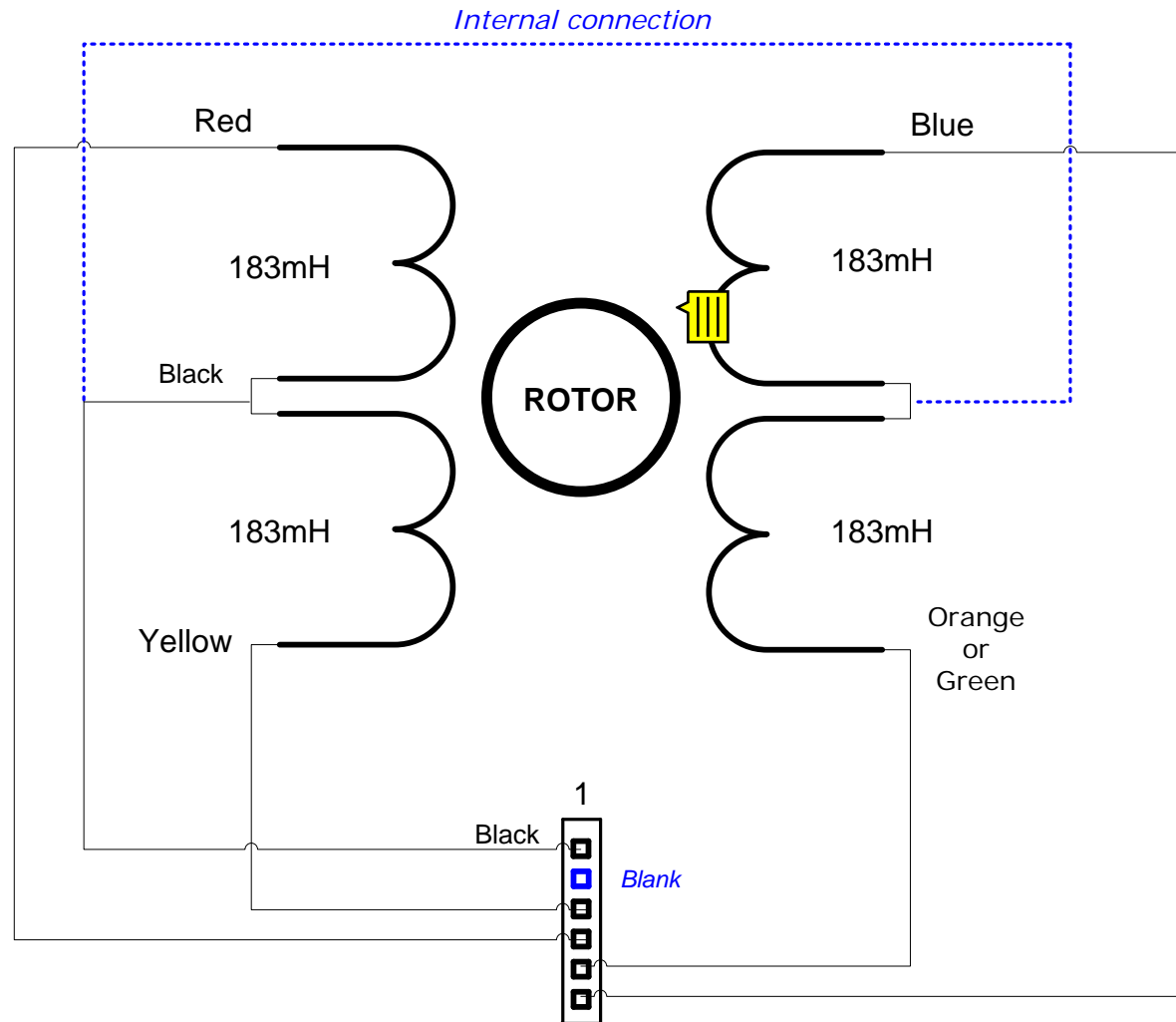
Weight: 0.53kg

Condition: Used (refurbished)

Comments: 5 wire uni-polar motor will not work with bi-polar controllers like the Gecko or Wantai stepper controllers.

Note: Same as Step-Syn 103-771-18

(4240593) – similar to Step-Syn 103-771-16



NOTICE – the information on this page is not guaranteed for accuracy – CASA accepts no responsibility (expressed or implied) for any errors or the consequence therefrom.