

Low Reluctance Stepping Motor – Uni-Polar



<http://www.casa.co.nz>

Edition: 13/06/2012

Type: 23LM-T008-01

General Data

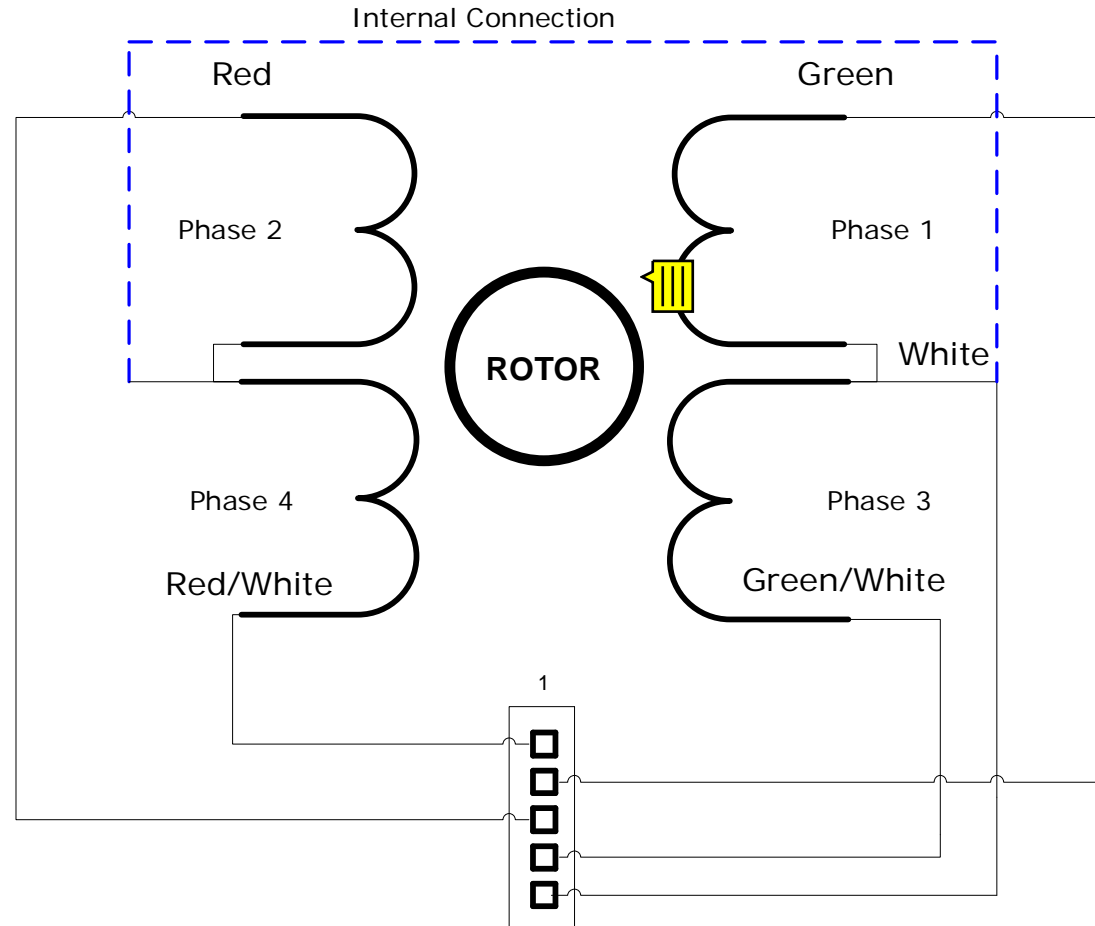
Type: 23LM-T008-01
Brand: AstroSyn (Minebea Japan)
OEM #: H5Z10 (IBM?)
Frame: NEMA 23 _____
Steps: 200 / rev (1.8 degrees per step or finer with micro-stepping)
Current: 0.62 Amp / phase
Volts: 28 Vdc / phase
VA: _____
Torque: 4 Nm @ _____A (_____ oz.in.)
Resistance: 45 Ohms / phase (nominal)
Inductance: 140~196 mH / phase (nominal)
Connector: 5 pole 0.1" (if fitted)
Wires: 5 wire (up to 150 mm nominal)

Shaft: 6.35 mm dia x 21 mm long
Shaft-Detail: Plain (3mm waisted)
Size: 57 x 57 x 59 mm (nominal)
Weight: 0.55 kg

Supply-Max: 24~80 Vdc (recommended max = V x 25)

Condition: Fair/Used (refurbished)

Comments: Optional pulley may be available



NOTICE – the information on this page is not guaranteed for accuracy – CASA accepts no responsibility (neither expressed nor implied) for any errors or the consequence therefrom.