



# Stepping Motor

Type: **KP4M4-001**



<http://www.casa.co.nz>

Edition: 23/05/2012

## General Data

**Type #:** KP4M4-001

**Brand:** Japan Servo (Japan)

**OEM #:** 966000-001 (TMC)

**Spec:**

**Frame:** NEMA 17

**Steps:** 100/rev (3.6 Degrees per full-step or finer with micro-stepping)

**Current:** 0.15 Amp

**Volts:** 12 Vdc

**Torque:** \_\_\_ Nm @ \_\_\_A (\_\_\_ oz.in.)

**Resistance:** 75 Ohms / phase (nominal)

**Inductance:** 28 mH / phase (nominal)

**Connector:** 5 way x 0.1" (see diag.)  
(If fitted)

**Wires:** 5 wire (up to 200mm nominal)

**Shaft:** 5.0mm dia x 21mm long

**Shaft-Detail:** Plain

**Size:** 41 x 41 x 34mm (nominal)

**Supply-Max:** 24~80Vdc (recommended  
max = V x 25)

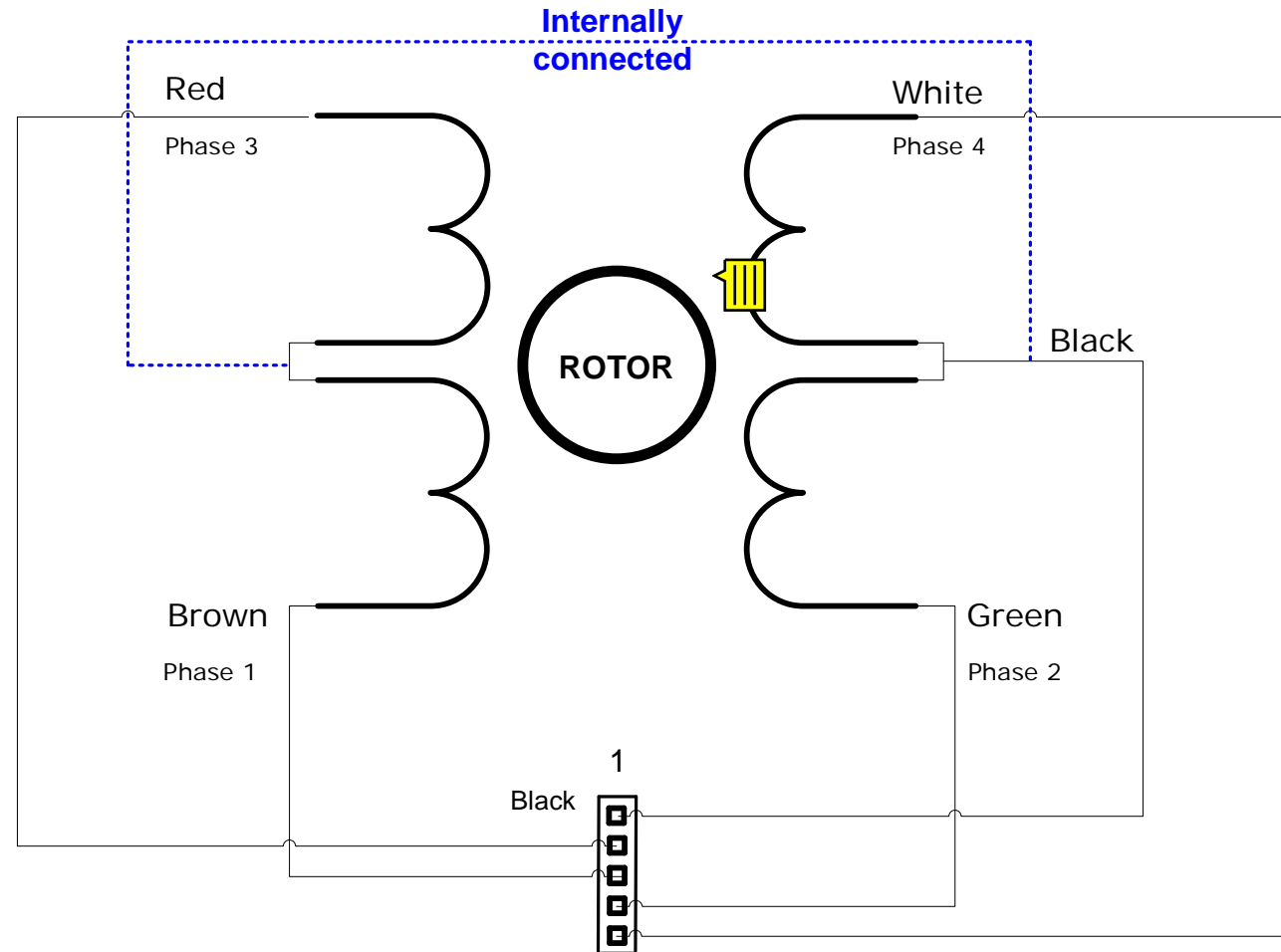
**Weight:** 0.267kg

**Condition:** Used (refurbished)

1kHz\*60/RPM=Steps/Rev

360/Step/Rev=sep angle in degrees.

EG. If 600RPM then step angle = 3.6deg.



**NOTICE** – the information on this page is not guaranteed for accuracy – CASA accepts no responsibility (neither expressed nor implied) for any errors or the consequence therefrom.